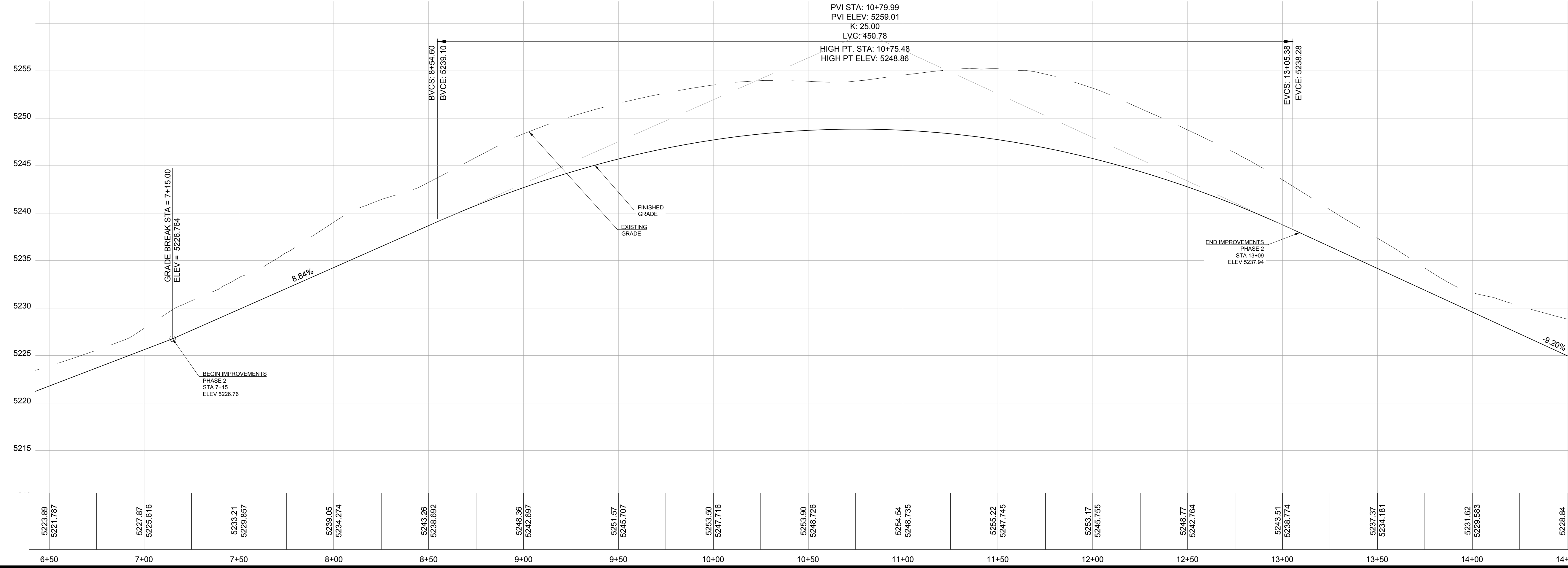


- Heavy Duty Asphalt
- Concrete Sidewalk
- Proposed Building



NOTICE:

EXISTING UTILITIES ARE SHOWN ON PLANS FOR THE CONVENIENCE OF THE CONTRACTOR ONLY. THE CONTRACTOR IS RESPONSIBLE FOR THE PROTECTION OF ALL UTILITIES. THE ENGINEER BEARS NO RESPONSIBILITY FOR THE UTILITIES NOT SHOWN OR SHOWN INCORRECTLY.

CALL CUTTING OVERSIGHT UTILITIES: Call BLUE STAKES BEFORE YOU Dig

1-800-662-4111
ENGINEERING SERVICE (UTAH)

PRIVATE ENGINEER'S NOTICE TO CONTRACTORS

The Contractor agrees that he shall assume sole and complete responsibility for job site conditions during the course of construction of this project, including safety of all persons and property; that this requirement shall apply continuously and not be limited to normal working hours; and that the contractor shall defend, indemnify, and hold the owner and the engineer harmless from any and all liability, real or alleged, in connection with the performance of work on this project, excepting for liability arising from the sole negligence of the owner or the engineer.

SEE NOTES ON SHEET C2

DEVELOPER:
LEWIS HOMES
ERIC HOUSEHOLDER
801-389-0040

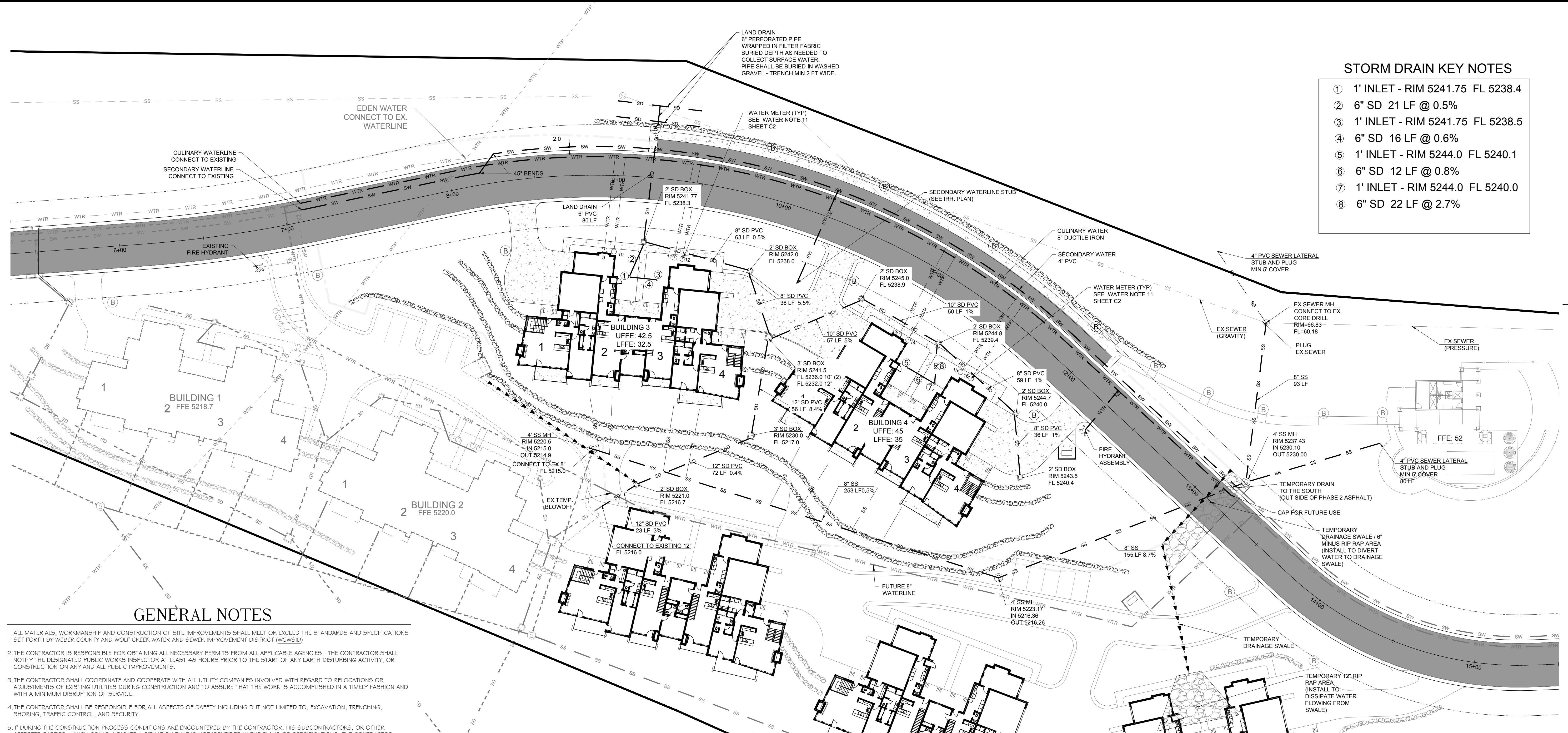
REVISIONS	DATE	DESCRIPTION



PLAN AND PROFILE
THE RIDGE - PHASE 2
LEWIS HOMES
EDEN, WEBER COUNTY, UTAH

GARDNER ENGINEERING
 CIVIL-LAND PLANNING
 MUNICIPAL-LAND SURVEYING

5150 SOUTH 375 EAST OGDEN, UT
 OFFICE: 801-476-0202 FAX: 801-476-0066



- ### STORM DRAIN KEY NOTES
- ① 1' INLET - RIM 5241.75 FL 5238.4
 - ② 6" SD 21 LF @ 0.5%
 - ③ 1' INLET - RIM 5241.75 FL 5238.5
 - ④ 6" SD 16 LF @ 0.6%
 - ⑤ 1' INLET - RIM 5244.0 FL 5240.1
 - ⑥ 6" SD 12 LF @ 0.8%
 - ⑦ 1' INLET - RIM 5244.0 FL 5240.0
 - ⑧ 6" SD 22 LF @ 2.7%

GENERAL NOTES

1. ALL MATERIALS, WORKMANSHIP AND CONSTRUCTION OF SITE IMPROVEMENTS SHALL MEET OR EXCEED THE STANDARDS AND SPECIFICATIONS SET FORTH BY WEBER COUNTY AND WOLF CREEK WATER AND SEWER IMPROVEMENT DISTRICT (WCWSID).
2. THE CONTRACTOR IS RESPONSIBLE FOR OBTAINING ALL NECESSARY PERMITS FROM ALL APPLICABLE AGENCIES. THE CONTRACTOR SHALL NOTIFY THE DESIGNATED PUBLIC WORKS INSPECTOR AT LEAST 48 HOURS PRIOR TO THE START OF ANY EARTH DISTURBING ACTIVITY, OR CONSTRUCTION ON ANY AND ALL PUBLIC IMPROVEMENTS.
3. THE CONTRACTOR SHALL COORDINATE AND COOPERATE WITH ALL UTILITY COMPANIES INVOLVED WITH REGARD TO RELOCATIONS OR ADJUSTMENTS OF EXISTING UTILITIES DURING CONSTRUCTION AND TO ASSURE THAT THE WORK IS ACCOMPLISHED IN A TIMELY FASHION AND WITH A MINIMAL DISRUPTION OF SERVICE.
4. THE CONTRACTOR SHALL BE RESPONSIBLE FOR ALL ASPECTS OF SAFETY INCLUDING BUT NOT LIMITED TO, EXCAVATION, TRENCHING, SHORING, TRAFFIC CONTROL, AND SECURITY.
5. IF DURING THE CONSTRUCTION PROCESS CONDITIONS ARE ENCOUNTERED BY THE CONTRACTOR, HIS SUBCONTRACTORS, OR OTHER AFFECTED PARTIES, WHICH COULD INDICATE A SITUATION THAT IS NOT IDENTIFIED IN THE PLANS OR SPECIFICATIONS, THE CONTRACTOR SHALL CONTACT THE ENGINEER IMMEDIATELY.
6. THE CONTRACTOR IS RESPONSIBLE FOR PROVIDING ALL LABOR AND MATERIALS NECESSARY FOR THE COMPLETION OF THE INTENDED IMPROVEMENTS SHOWN ON THESE DRAWINGS OR DESIGNATED TO BE PROVIDED, INSTALLED, CONSTRUCTED, REMOVED AND RELOCATED UNLESS SPECIFICALLY NOTED OTHERWISE.
7. THE CONTRACTOR SHALL BE RESPONSIBLE FOR KEEPING ROADWAYS FREE AND CLEAR OF ALL CONSTRUCTION DEBRIS AND DIRT TRACKED FROM THE SITE.
8. THE CONTRACTOR SHALL BE RESPONSIBLE FOR RECORDING AS-BUILT DRAWINGS ON A SET OF RECORD DRAWINGS KEPT AT THE CONSTRUCTION SITE, AND AVAILABLE TO THE OWNER.
9. THE CONTRACTOR SHALL SEQUENCE INSTALLATION OF UTILITIES IN SUCH A MANNER AS TO MINIMIZE POTENTIAL UTILITY CONFLICTS. IN GENERAL, STORM SEWER AND SANITARY SEWER SHOULD BE CONSTRUCTED PRIOR TO INSTALLATION OF WATER LINES AND DRY UTILITIES.
10. IT SHALL BE THE RESPONSIBILITY OF THE CONTRACTOR TO COORDINATE ALL UTILITY RELOCATIONS CONSISTENT WITH THE CONTRACTORS SCHEDULE FOR THIS PROJECT, WHETHER SHOWN OR NOT SHOWN AS IT RELATES TO THE CONSTRUCTION ACTIVITIES CONTEMPLATED IN THESE PLANS.
11. THE RECOMMENDATIONS OF THE GEOTECHNICAL REPORT SHALL BE FOLLOWED.

NOTICE TO CONTRACTOR

ALL CONTRACTORS AND SUBCONTRACTORS PERFORMING WORK SHOWN ON OR RELATED TO THESE PLANS SHALL CONDUCT THEIR OPERATIONS SO THAT ALL EMPLOYEES ARE PROVIDED A SAFE PLACE TO WORK AND THE PUBLIC IS PROTECTED. ALL CONTRACTORS AND SUBCONTRACTORS SHALL COMPLY WITH THE OCCUPATIONAL SAFETY AND HEALTH REGULATIONS OF THE U.S. DEPARTMENT OF LABOR AND THE STATE OF UTAH DEPARTMENT OF INDUSTRIAL RELATIONS CONSTRUCTION SAFETY ORDERS. THE CIVIL ENGINEER SHALL NOT BE RESPONSIBLE IN ANY WAY FOR CONTRACTORS AND SUBCONTRACTORS COMPLIANCE WITH SAID REGULATIONS AND ORDERS.

CONTRACTOR FURTHER AGREES THAT HE SHALL ASSUME SOLE AND COMPLETE RESPONSIBILITY FOR JOB-SITE CONDITIONS DURING THE COURSE OF CONSTRUCTION OF THIS PROJECT, INCLUDING SAFETY OF ALL PERSONS AND PROPERTY. THAT THIS REQUIREMENT SHALL APPLY CONTINUOUSLY AND NOT BE LIMITED TO NORMAL WORKING HOURS, AND THAT THE CONTRACTOR SHALL DEFEND, INDEMNIFY AND HOLD THE OWNER AND THE CIVIL ENGINEER HARMLESS FROM ANY AND ALL LIABILITY, REAL OR ALLEGED, IN CONNECTION WITH THE PERFORMANCE OF WORK ON THIS PROJECT, EXCEPTING FOR LIABILITY ARISING FROM THE SOLE NEGLIGENCE OF THE OWNER OR ENGINEER.

STORM SEWER GENERAL NOTES

1. ALL STORM SEWER CONNECTIONS SHALL BE IN CONFORMANCE WITH THE WEBER COUNTY STANDARDS AND SPECIFICATIONS. STORM DRAIN PIPE WITHIN THE ROADWAY SHALL BE 15" DIAM. MIN. RCP CLASS III. LINES OUTSIDE OF ROADWAY SHALL BE PVC SDR 35.
2. RIM ELEVATIONS SHOWN ARE APPROXIMATE ONLY AND ARE NOT TO BE TAKEN AS FINAL ELEVATION. PIPELINE CONTRACTOR SHALL USE PRECAST CONCRETE ADJUSTMENT RINGS, GROUT, AND STEEL SHIMS TO ADJUST THE MANHOLE FRAME TO THE REQUIRED FINAL GRADE IN CONFORMANCE WITH THE OGDEN CITY STANDARDS AND SPECIFICATIONS AND PLANS. ALL FRAMES SHALL BE ADJUSTED TO FINAL GRADE PRIOR TO PLACEMENT OF ASPHALT PAVING.
3. COMPACTION OF ALL TRENCHES WITHIN THE PROJECT SITE MUST BE ATTAINED AND COMPACTION RESULTS SUBMITTED PRIOR TO FINAL ACCEPTANCE.
4. ALL STORM DRAIN PIPES IN THE PUBLIC RIGHT-OF-WAY SHALL BE RCP CL III.
5. ALL STORM SEWER MANHOLES IN PAVED AREAS SHALL BE FLUSH WITH THE PAVEMENT AND SHALL HAVE TRAFFIC BEARING LIDS. ALL STORM SEWER LIDS SHALL BE LABELED "STORM DRAIN".
6. WHERE CONNECTION TO EXISTING UTILITY IS PROPOSED, CONTRACTOR SHALL VERIFY LOCATION AND ELEVATION AND NOTIFY OWNER/ENGINEER IF LOCATION AND ELEVATION OF EXISTING UTILITY VARIES FROM THE DESIGN.

SANITARY SEWER GENERAL NOTES

1. ALL SANITARY SEWER CONSTRUCTION SHALL BE IN CONFORMANCE WITH WCWSID STANDARDS AND SPECIFICATIONS.
2. ALL GRAVITY SANITARY SEWER LINES SHALL BE SDR-35 PVC MATERIAL. SEWER LINE CONSTRUCTION AND MATERIALS SHALL CONFORM TO ASTM STANDARDS AND SPECIFICATIONS.
3. DISTANCES SHOWN ON PLANS ARE APPROXIMATE AND COULD VARY DUE TO VERTICAL ALIGNMENT.
4. RIM ELEVATIONS SHOWN ARE APPROXIMATE ONLY AND ARE NOT TO BE TAKEN AS FINAL ELEVATION. PIPELINE CONTRACTOR SHALL USE PRECAST CONCRETE ADJUSTMENT RINGS, GROUT AND STEEL SHIMS TO ADJUST THE MANHOLE FRAME TO THE REQUIRED FINAL GRADE IN CONFORMANCE WITH THE STANDARD SPECIFICATIONS. ALL FRAMES SHALL BE ADJUSTED TO FINAL GRADE.
5. ALL SANITARY SEWER MAIN TESTING SHALL BE IN ACCORDANCE WITH THE WCWSID STANDARDS AND SPECIFICATIONS. COPIES OF ALL TEST RESULTS SHALL BE PROVIDED PRIOR TO FINAL ACCEPTANCE.
6. COMPACTION TESTING OF ALL TRENCHES WITH THE PROJECT SITE MUST BE ATTAINED AND RESULTS SUBMITTED PRIOR TO FINAL ACCEPTANCE.
7. CONTRACTOR IS RESPONSIBLE TO PROTECT ALL EXISTING STRUCTURES AND IMPROVEMENTS DURING INSTALLATION OF SANITARY SEWER LINE.
8. WHERE CONNECTION TO EXISTING UTILITY IS PROPOSED, CONTRACTOR SHALL VERIFY LOCATION AND ELEVATION AND NOTIFY OWNER/ENGINEER IF LOCATION AND ELEVATION OF EXISTING UTILITY VARIES FROM THE DESIGN.

GENERAL GRADING NOTES

1. ALL WORK SHALL BE IN ACCORDANCE WITH THE WEBER COUNTY STANDARDS AND DIRECTION FROM SOILS REPORT (GEOSTRATA 12/31/13).
2. MAXIMUM SLOPES SHALL BE 2.5:1 FOR CUT AND FILL UNLESS OTHERWISE NOTED (SEE NOTE 12).
3. COMPACTION REQUIREMENTS AND TESTING SHALL BE PERFORMED TO MEET THE REQUIREMENTS OF THE SOILS REPORT. MINIMUM COMPACTION TESTS AT 1' FT LIFTS.
4. IN AREAS WHERE BASEMENT ELEVATIONS ARE GREATER THAN 4 FT BELOW EXISTING GROUND - FOUNDATION DRAINAGE SHALL BE INSTALLED PER THE SOILS REPORT. IT IS ASSUMED THAT FOUNDATION DRAINAGE WILL BE REQUIRED ON THE NORTH SIDE OF BUILDING 2.
5. NO FILL SHALL BE PLACED UNTIL VEGETATION HAS BEEN REMOVED AND SUB-GRADE PREPARED PER THE SOILS REPORT.
6. DUST SHALL BE CONTROLLED BY WATERING OR OTHER APPROVED METHODS.
7. CONTRACTOR SHALL COMPLY WITH STORM WATER POLLUTION PREVENTION PLAN BY INSTALLING BMP'S PRIOR TO COMMENCEMENT OF EXCAVATION ACTIVITIES. CONTACT THE CITY INSPECTOR FOR PREVENTION.
8. THE CONTRACTOR SHALL CONTACT BLUE STAKES FOR LOCATION MARKINGS PRIOR TO COMMENCING EXCAVATION ACTIVITIES.
9. STREETS ADJACENT TO THE PROJECT SHALL BE CLEAN AT ALL TIMES.
10. CONTRACTOR IS RESPONSIBLE FOR ARRANGING FOR ALL REQUIRED INSPECTIONS.
 1. PRIOR TO TAKING WATER FROM A CITY FIRE HYDRANT, THE CONTRACTOR SHALL MAKE ARRANGEMENTS WITH WATER UTILITY TO OBTAIN A WATER METER.
 2. IF WATER IS ENCOUNTERED ON CUT SLOPES, PERFORATED LAND DRAIN OR OTHER GROUNDWATER MITIGATION SHALL BE INSTALLED TO DIRECT WATER TO ROADWAY OR STORM DRAIN. WHERE SITE CONDITIONS ALLOW, ROCK WALLS MAYBE USED TO MINIMIZE CUT SLOPE. WALLS WILL BE CONSTRUCTED IN ACCORDANCE WITH RETAINING WALL DETAIL ON THE SITE DETAILS SHEET.

SWPPP GENERAL NOTES

1. CONTRACTOR SHALL OBTAIN ALL NECESSARY PERMITS AS REQUIRED BY THE CITY AND STATE.
2. ALL STRUCTURAL EROSION MEASURES SHALL BE INSTALLED AT THE LIMITS OF CONSTRUCTION, PRIOR TO ANY OTHER GROUND-DISTURBING ACTIVITY. ALL EROSION CONTROL MEASURES SHALL BE MAINTAINED IN GOOD REPAIR BY THE CONTRACTOR, UNTIL SUCH TIME AS THE ENTIRE DISTURBED AREAS ARE STABILIZED WITH HARD SURFACE OR LANDSCAPING.

WATER GENERAL NOTES

1. ALL INSTALLATION AND MATERIALS SHALL CONFORM TO WCWSID STANDARDS AND SPECIFICATIONS AND PLANS. CULINARY WATERLINES SHALL BE DUCTILE IRON CLASS 52. ALL SECONDARY WATERLINES SHALL BE PVC C900 DR 14.
2. TRUST BLOCKING IS REQUIRED AT ALL BENDS AND FITTINGS. TIE RODS SHALL BE USED AT ALL BENDS AND FITTINGS WHERE THRUST BLOCKS DO NOT BEAR AGAINST UNDISTURBED SOIL.
3. ALL WATERLINES AT SEWER CROSSINGS SHALL BE LOCATED ABOVE AND HAVE AN 18-INCH VERTICAL SEPARATION FROM THE SEWER PIPE. IF THIS IS NOT PROVIDED, THE WATERLINE SHALL BE INSTALLED WITH 20' L.F. OF CASING CENTERED OVER THE SEWER PIPE.
4. DISINFECTION TESTS SHALL BE PERFORMED BY THE CONTRACTOR IN COORDINATION WITH THE DISTRICT.
5. CHLORINATION OF COMPLETED WATER LINE. THE NEW WATER LINES SHALL BE DISINFECTED BY CHLORINATION. THE CONTRACTOR WILL BE RESPONSIBLE FOR ALL RELATED COSTS AND FEES RELATED TO THE CHLORINATION OF THE COMPLETED WATER LINE. THIS TEST SHALL BE PERFORMED PRIOR TO CONNECTION OF THE NEW WATER LINES TO THE EXISTING WATER SYSTEM. THE CONTRACTOR SHALL NOTIFY HWID AT LEAST 24 HOURS BEFORE THE CHLORINATION IS DESIRED.
6. CONTRACTOR SHALL COORDINATE CONNECTION TO THE WATER LINE WITH THE DISTRICT.
7. A MINIMUM HORIZONTAL CLEARANCE OF 10 FEET SHALL BE MAINTAINED FROM SANITARY SEWER MAINS.
8. UNLESS OTHERWISE SPECIFIED, ALL WATERLINES SHALL BE DUCTILE IRON.
9. CONTRACTOR SHALL LOCATE VALVES PRIOR TO CONNECTION WITH EXISTING SYSTEM, BUT SHALL NOT OPERATE ANY VALVE WITHOUT PERMISSION FROM THE DISTRICT.
10. ALL WATER MAINS, VALVES, FIRE HYDRANTS, SERVICES AND APPURTENANCES SHALL BE INSTALLED, TESTED, AND APPROVED PRIOR TO PAVING.
11. THERE SHALL BE A WATER SUPPLY TO THE DEVELOPMENT BEFORE ANY WOOD CONSTRUCTION STARTS.
12. WATER METERS SHALL BE MARKED WITH IDENTIFICATION NUMBER AS SHOWN ON PLANS.

UTILITY DISCLAIMER

THE CONTRACTOR IS SPECIFICALLY CAUTIONED THAT THE LOCATION AND/OR ELEVATIONS OF EXISTING UTILITIES AS SHOWN ON THESE PLANS IS BASED ON RECORDS OF THE VARIOUS UTILITY COMPANIES AND WHERE POSSIBLE, MEASUREMENTS TAKEN IN THE FIELD. THE INFORMATION IS NOT TO BE RELIED ON AS BEING EXACT OR COMPLETE. THE CONTRACTOR MUST CALL THE LOCAL UTILITY LOCATION CENTER AT LEAST 48 HOURS BEFORE ANY EXCAVATION TO REQUEST EXACT FIELD LOCATIONS OF UTILITIES. IT SHALL BE THE RESPONSIBILITY OF THE CONTRACTOR TO RELOCATE ALL EXISTING UTILITIES WHICH CONFLICT WITH THE PROPOSED IMPROVEMENTS SHOWN ON THE PLANS.

NOTICE:
EXISTING UTILITIES ARE SHOWN ON PLANS FOR THE CONVENIENCE OF THE CONTRACTOR ONLY. THE CONTRACTOR IS RESPONSIBLE FOR THE PROTECTION OF ALL UTILITIES. THE ENGINEER BEARS NO RESPONSIBILITY FOR THE UTILITIES NOT SHOWN OR SHOWN INCORRECTLY.

Call BLUE STAKES BEFORE YOU Dig
1-800-662-4111
UNDERGROUND SERVICE (USA)

PRIVATE ENGINEER'S NOTICE TO CONTRACTORS

The Contractor agrees that he shall assume sole and complete responsibility for job site conditions during the course of construction of this project, including safety of all persons and property; that this requirement shall apply continuously and not be limited to normal working hours; and that the contractor shall defend, indemnify, and hold the owner and the engineer harmless from any and all liability, real or alleged, in connection with the performance of work on this project, excepting for liability arising from the sole negligence of the owner or the engineer.

SCALE	1"=30'
DATE	FEBRUARY 2014
DESIGN	RC
DRAWN	DTB
CHECKED	TN

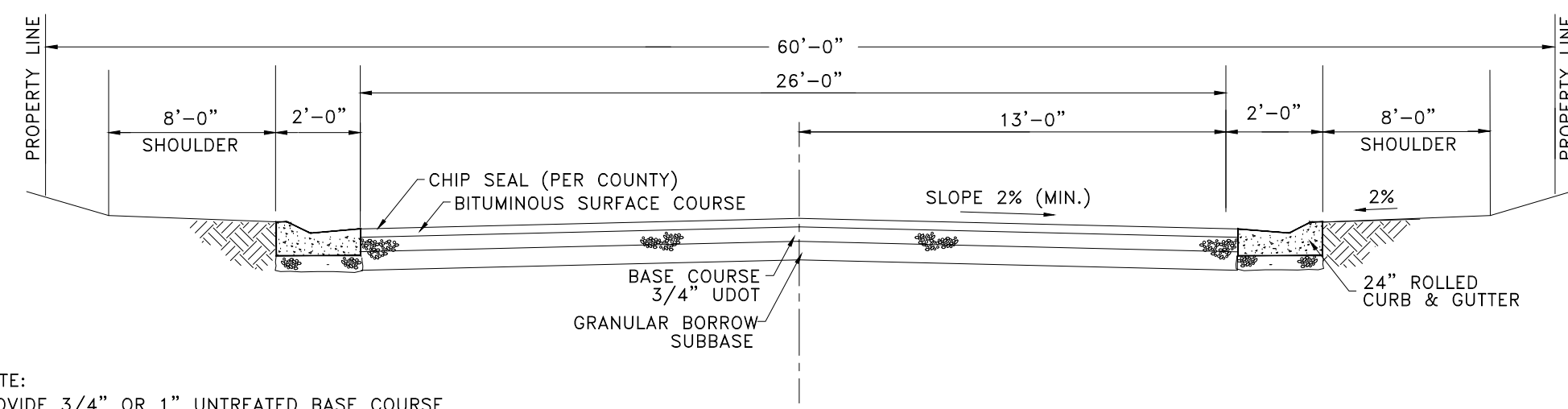
REVISIONS	DESCRIPTION
DATE	



UTILITY PLAN
THE RIDGE - PHASE 2
LEWIS HOMES
EDEN, WEBER COUNTY, UTAH

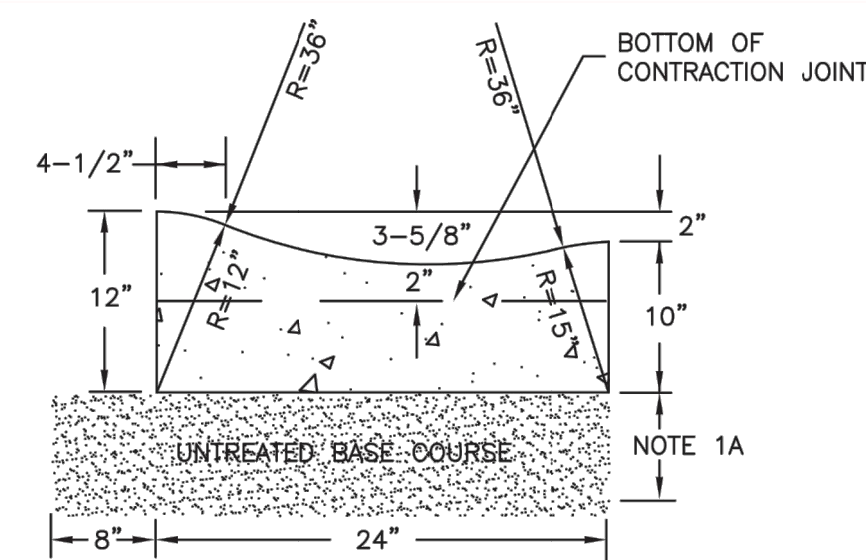
GARDNER ENGINEERING
CIVIL-LAND PLANNING
MUNICIPAL-LAND SURVEYING

5150 SOUTH 375 EAST OGDEN, UT
OFFICE: 801-476-0202 FAX: 801-476-0066



NOTE:
PROVIDE 3/4" OR 1" UNTREATED BASE COURSE
6" THICKNESS UNDER CURB AND GUTTER

ROAD CROSS SECTION
N.T.S.



24" ROLLED CURB AND GUTTER
N.T.S.

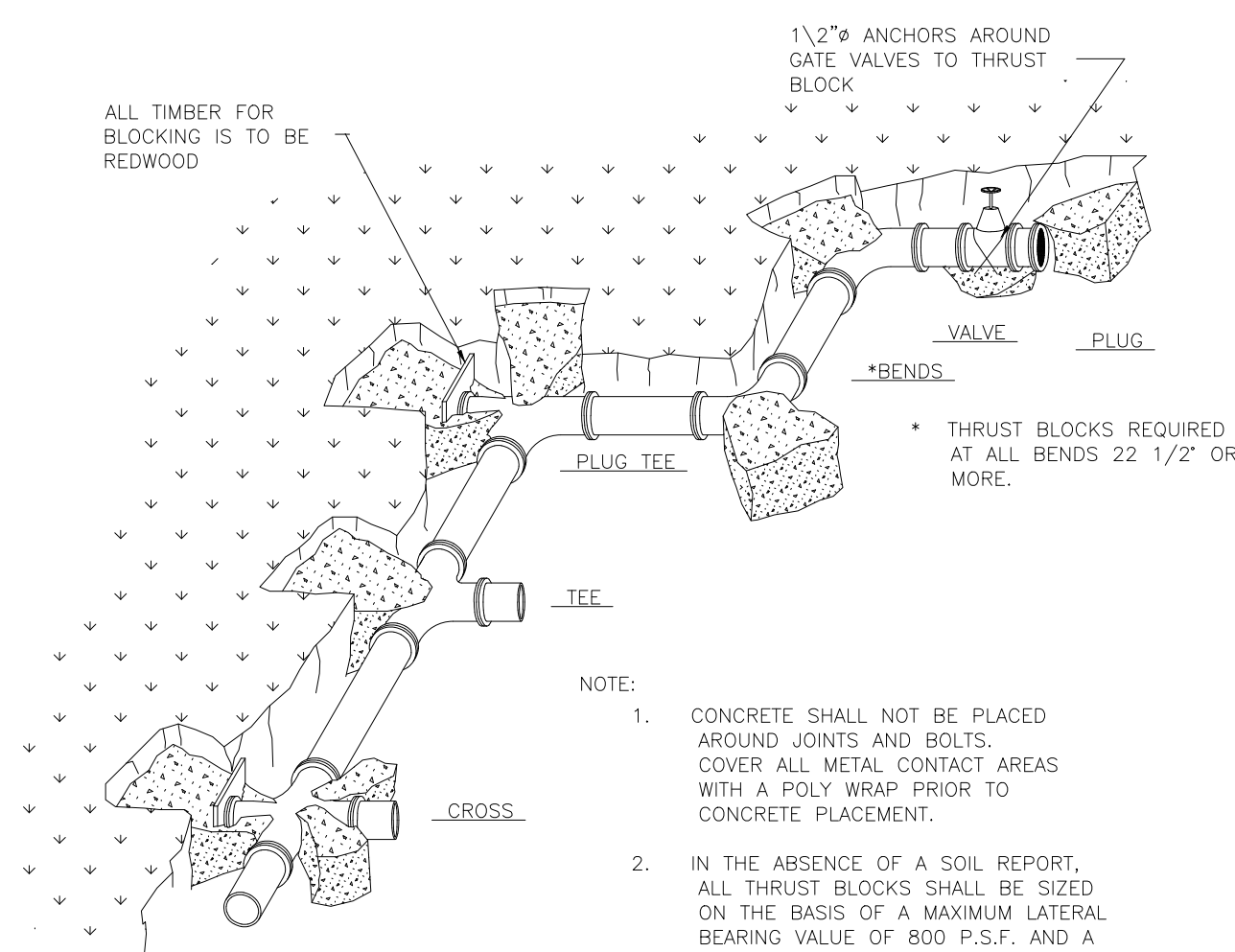
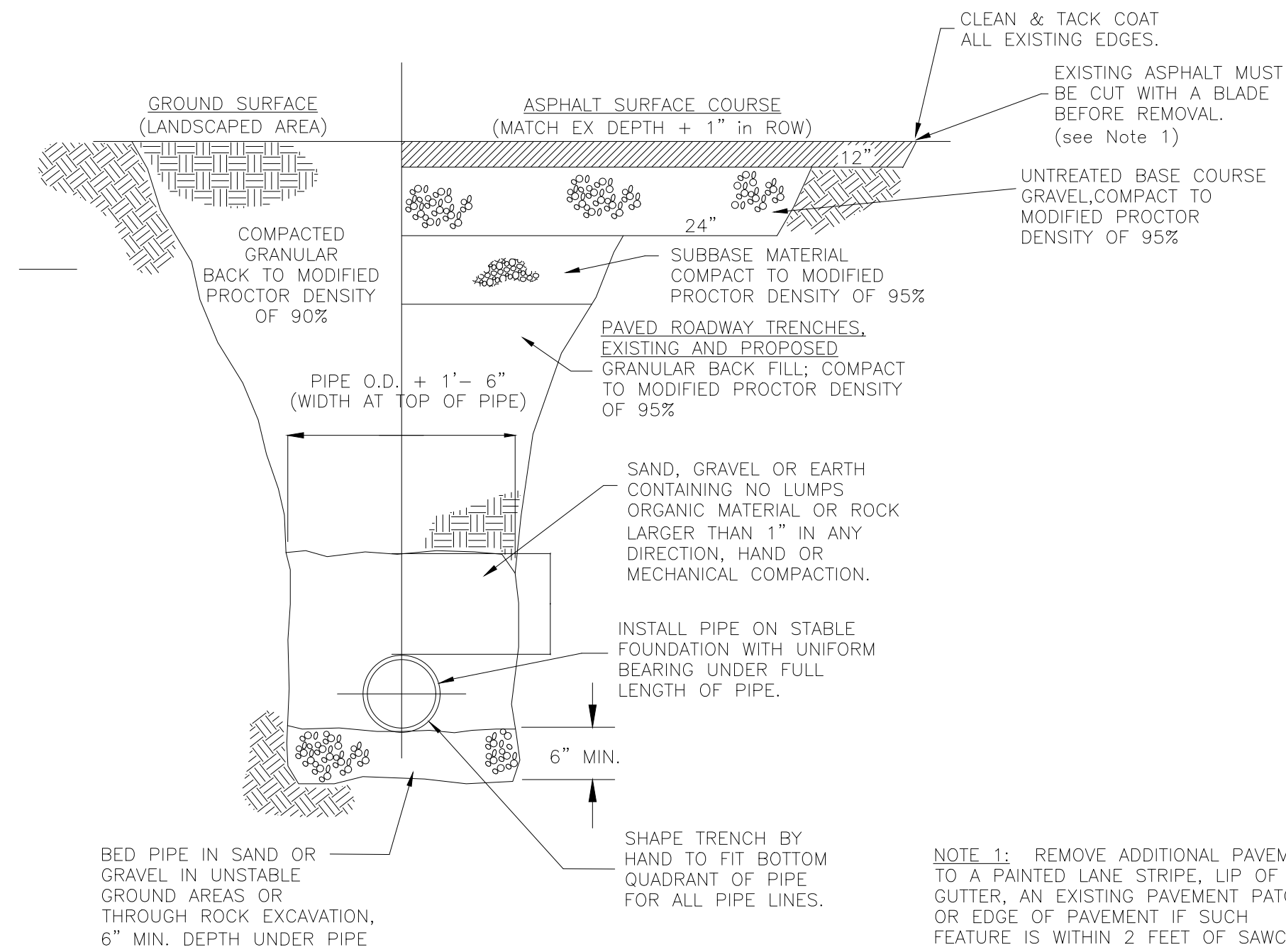


TABLE OF BEARING AREAS IN SQ. FT FOR CONCRETE THRUST BLOCKING

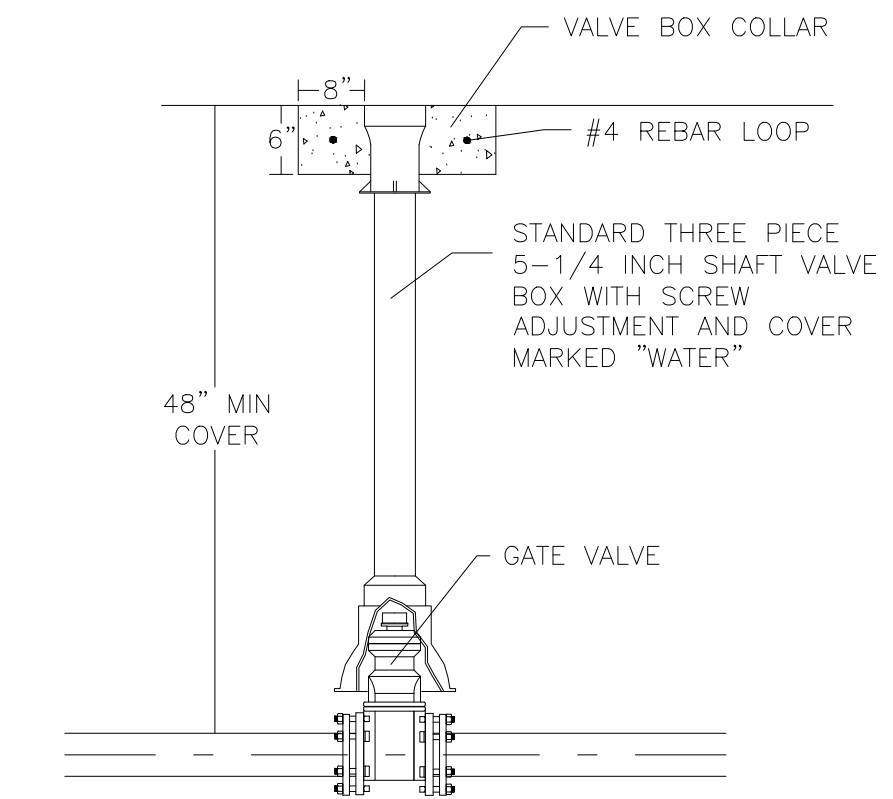
SIZE	BENDS				TEES	GATE VALVES	DEAD ENDS	CROSSW/FRANCH 2 BRAY PLUGGED	CROSSW/FRANCH 2 BRAY PLUGGED
	90°	45°	22 1/2°	11 1/2°					
3	1.0	0.0	0.3	0	0.7	0.5	0.7	0.7	0.7
4	1.8	1.0	0.5	0	1.3	0.5	1.3	1.3	1.3
6	4.0	2.2	1.1	0	2.8	0.7	2.8	2.8	2.8
8	7.1	3.8	2.0	1.0	5.0	2.4	5.0	5.0	5.0
10	11.1	6.0	3.0	1.5	7.8	4.5	7.8	7.8	7.8
12	16.0	8.6	4.4	2.2	11.3	7.3	11.3	11.3	11.3
14	21.7	11.8	6.0	3.0	15.4	11.0	15.4	15.4	15.4
15	25.0	13.5	7.0	3.5	17.6		17.6	17.6	17.6
16	28.4	15.3	8.0	4.0	20.0		20.0	20.0	20.0
18	36.0	19.4	10.0	5.0	25.4		25.4	25.4	25.4
20	44.2	24.0	12.2	6.1	31.4		31.4	31.4	31.4
21	49.0	26.5	13.5	6.8	34.6		34.6	34.6	34.6
22	54.0	29.0	14.8	7.4	38.0		38.0	38.0	38.0
24	64.0	34.5	17.7	8.8	45.0		45.0	45.0	45.0
30	100.0	54.0	27.6	13.8	71.0		71.0	71.0	71.0
36	144.0	78.0	40.0	20.0	102.0		102.0	102.0	102.0

*SIZE IS BRANCH SIZE.
FOR 100 P.S.I. INTERNAL STATIC PRESSURE AND 1000 LBS.PER SQ. FT. SOIL BEARING CAPACITY.

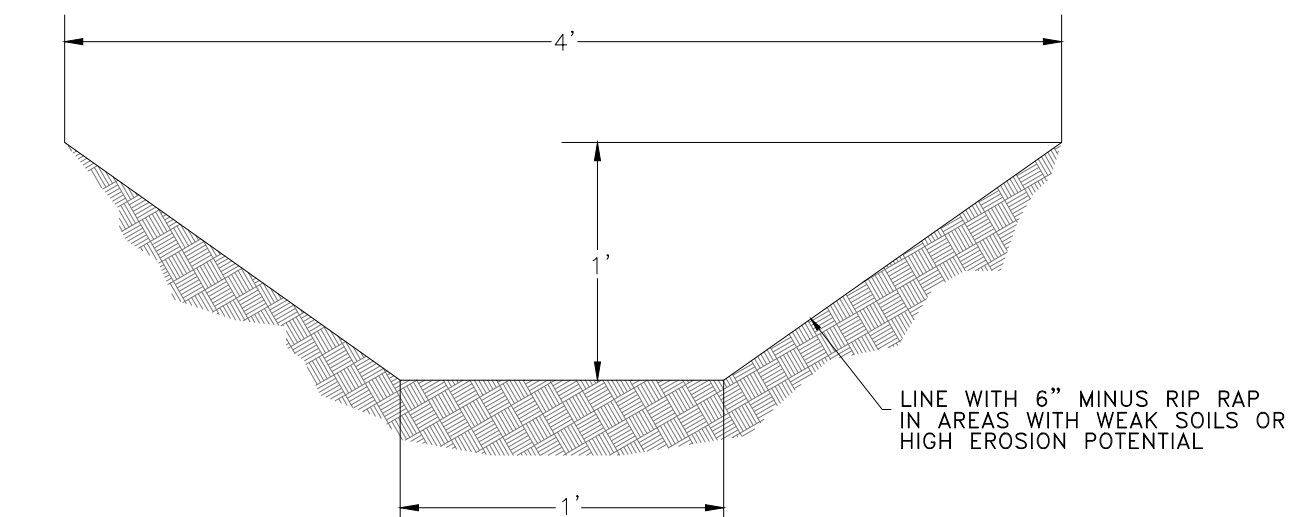
THRUST BLOCKING DETAIL
APPLIES TO ALL PRESSURE PIPE



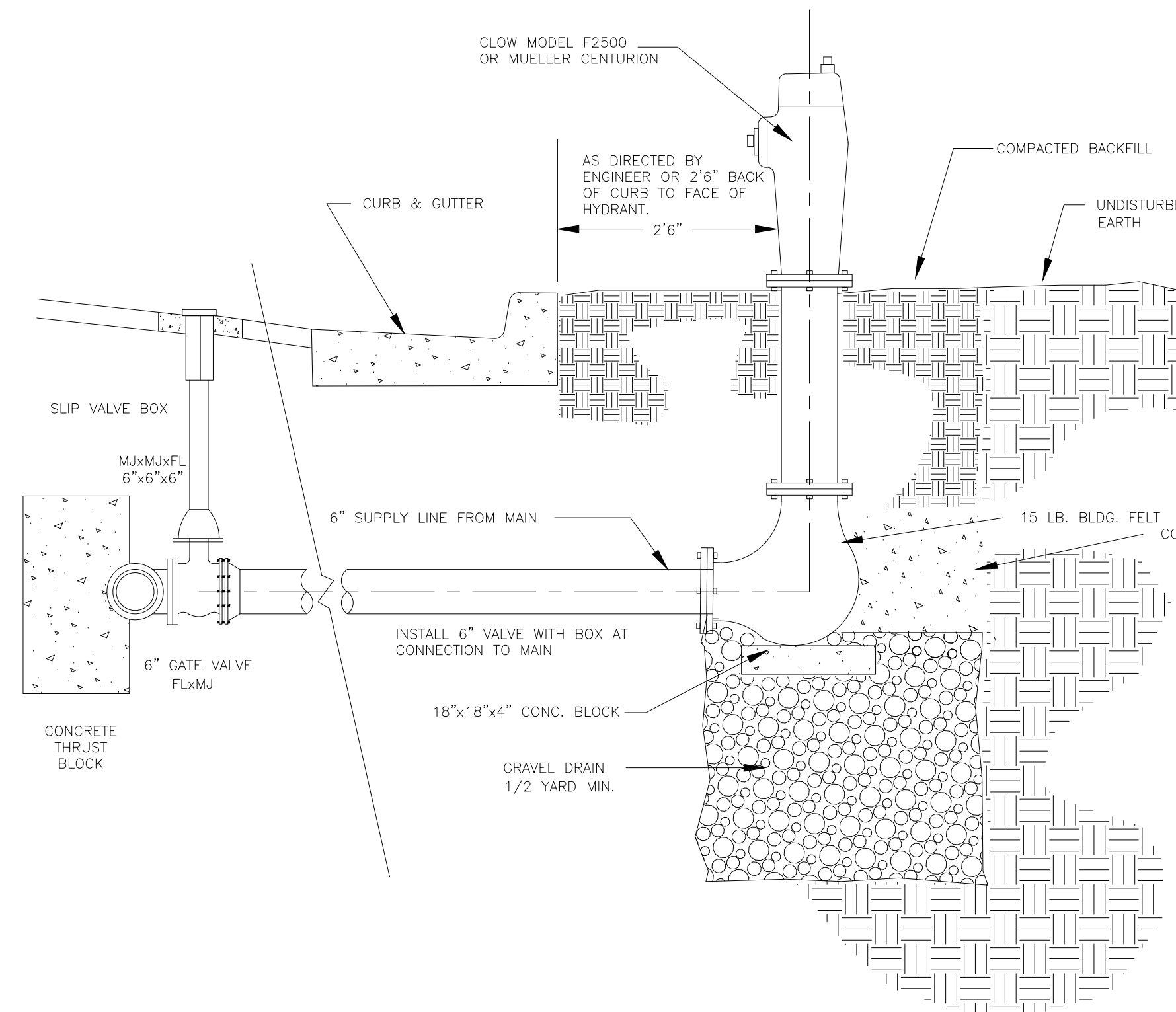
TYPICAL TRENCH SECTION
N.T.S.



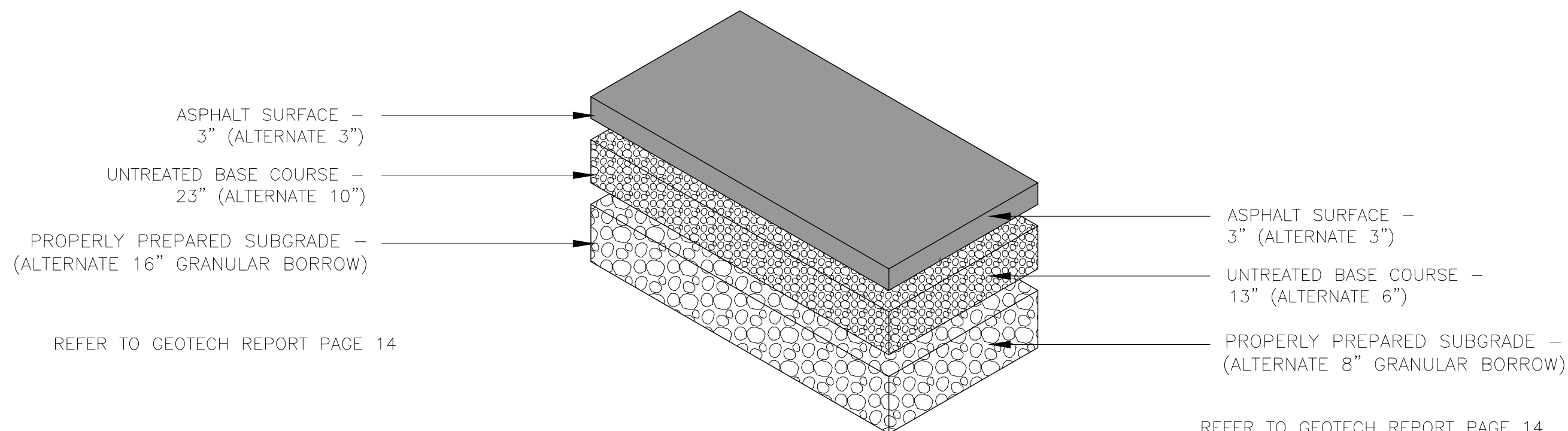
GATE VALVE DETAIL
N.T.S.



DRAINAGE DITCH
N.T.S.



TYPICAL WATER HYDRANT INSTALLATION DETAIL
N.T.S.



TYPICAL HEAVY DUTY ASPHALT PAVING
N.T.S.

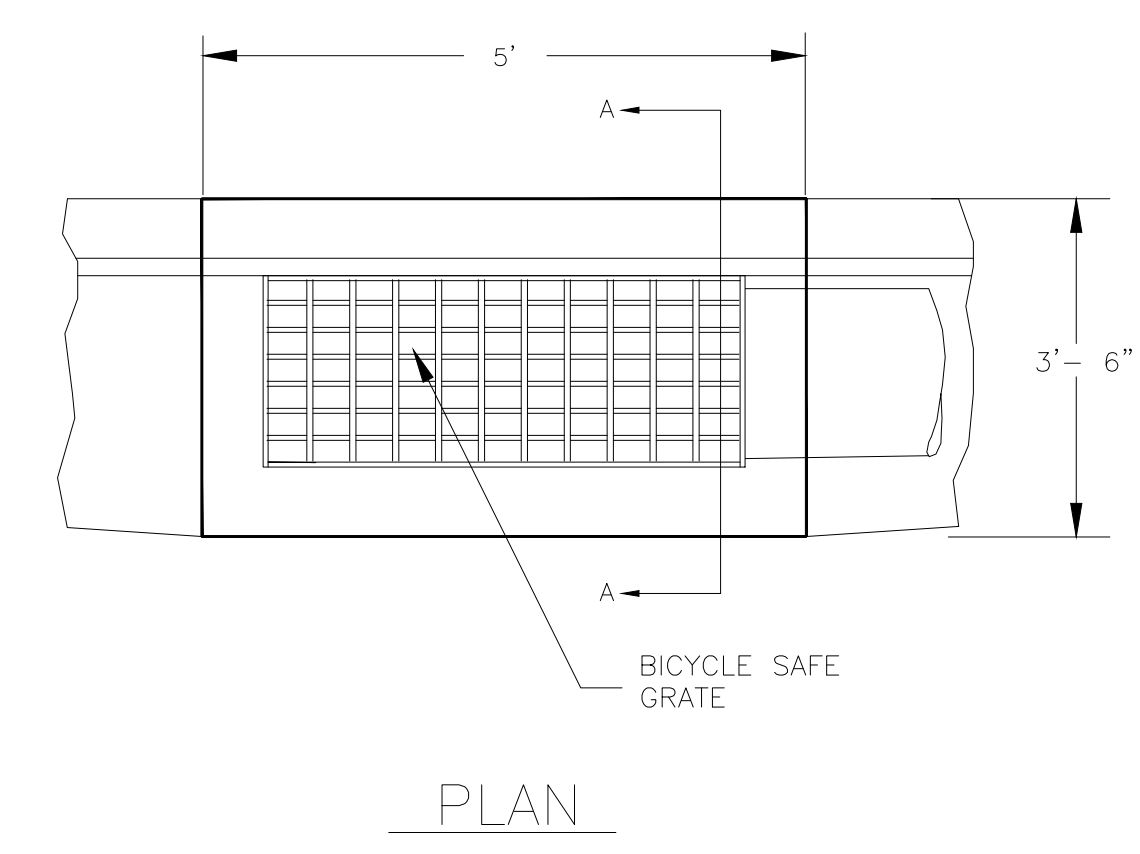
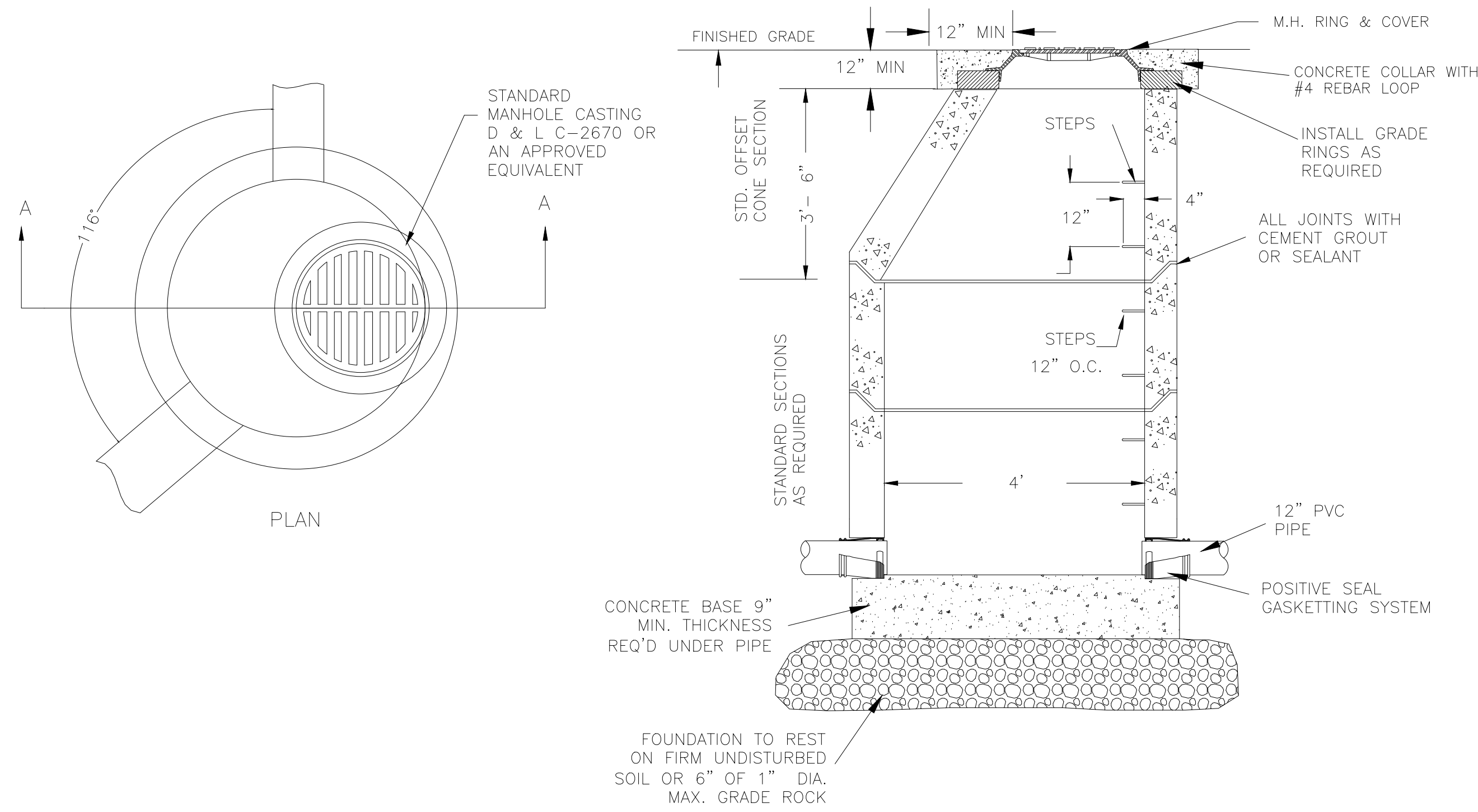
TYPICAL REGULAR ASPHALT PAVING
N.T.S.

SCALE	N.T.S.
DATE	FEBRUARY 2014
DESIGN	RC
DRAWN	DTB
CHECKED	TN
REVISIONS	DESCRIPTION
DATE	

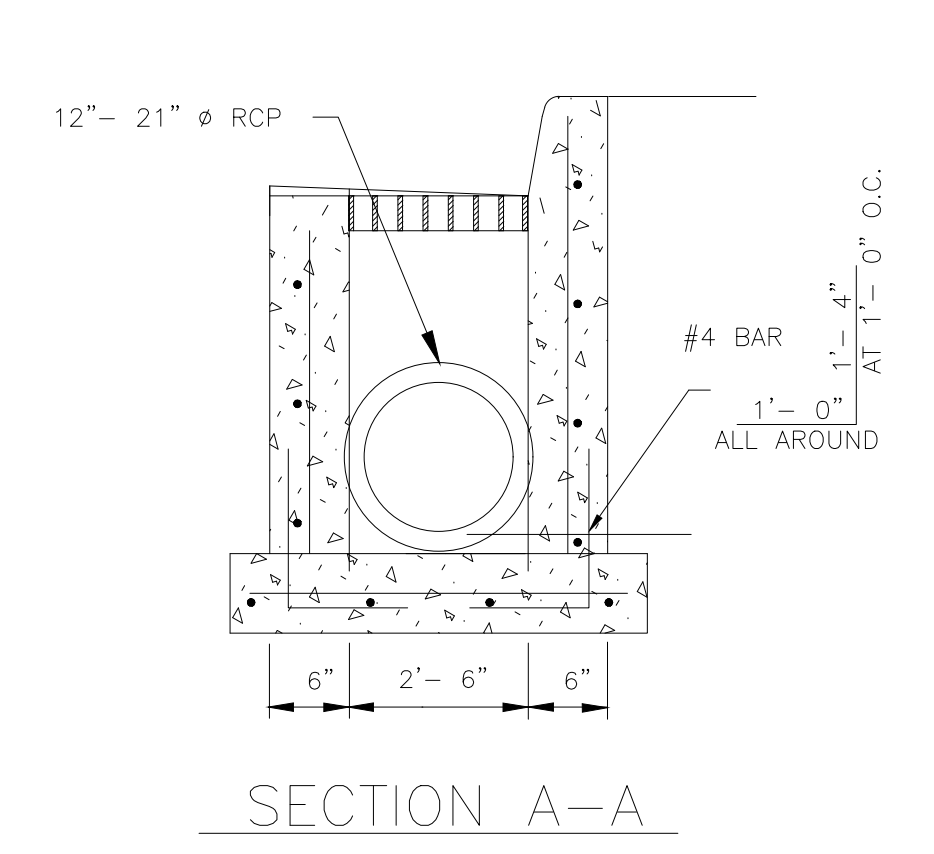


DETAILS - 1
THE RIDGE - PHASE 2
LEWIS HOMES
EDEN, WEBER COUNTY, UTAH

GARDNER ENGINEERING
CIVIL-LAND PLANNING
MUNICIPAL-LAND SURVEYING
5150 SOUTH 375 EAST OGDEN, UT
OFFICE: 801-476-0202 FAX: 801-476-0066

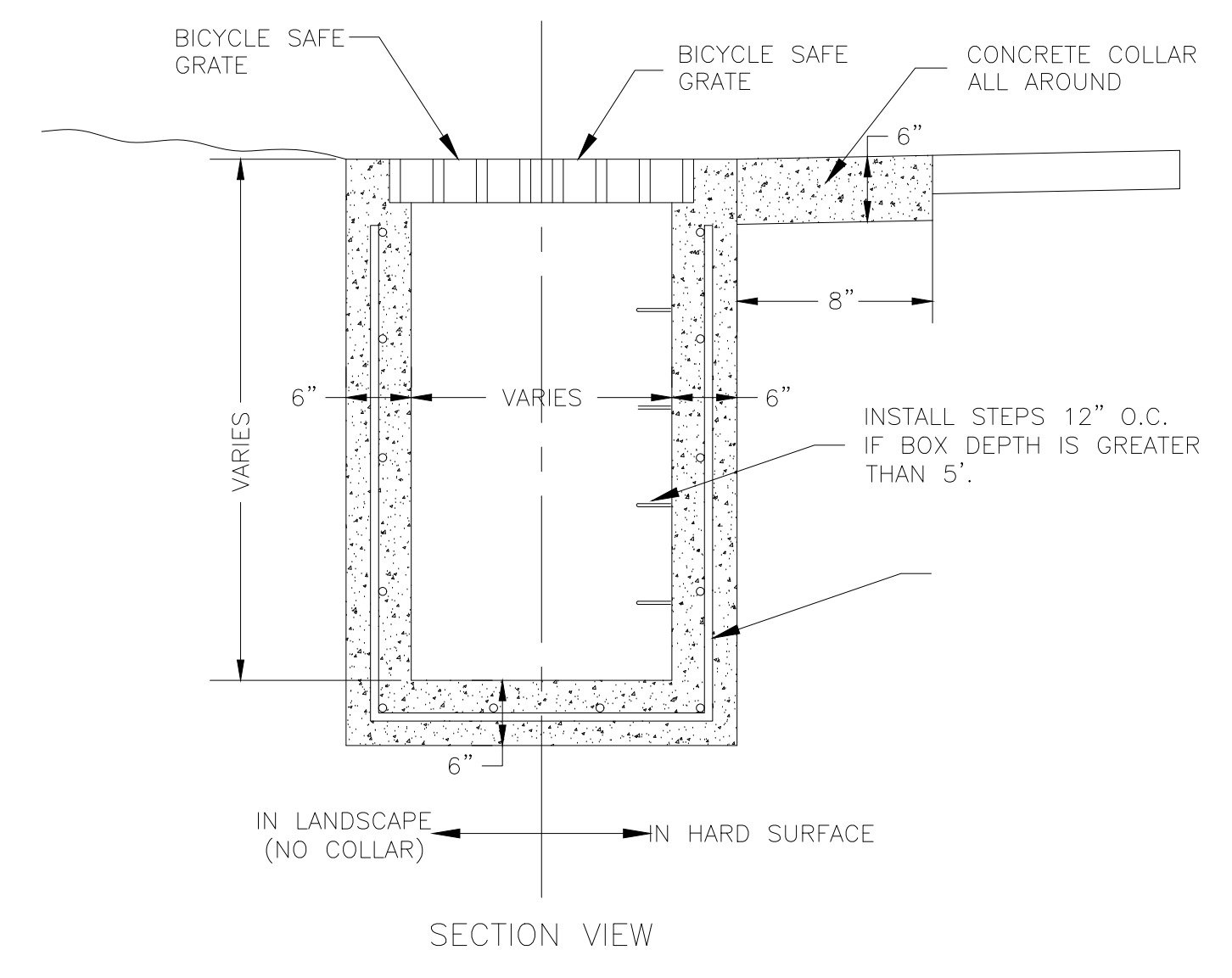


TYPICAL 2'-6" X 4' CATCH BASIN
N.T.S.

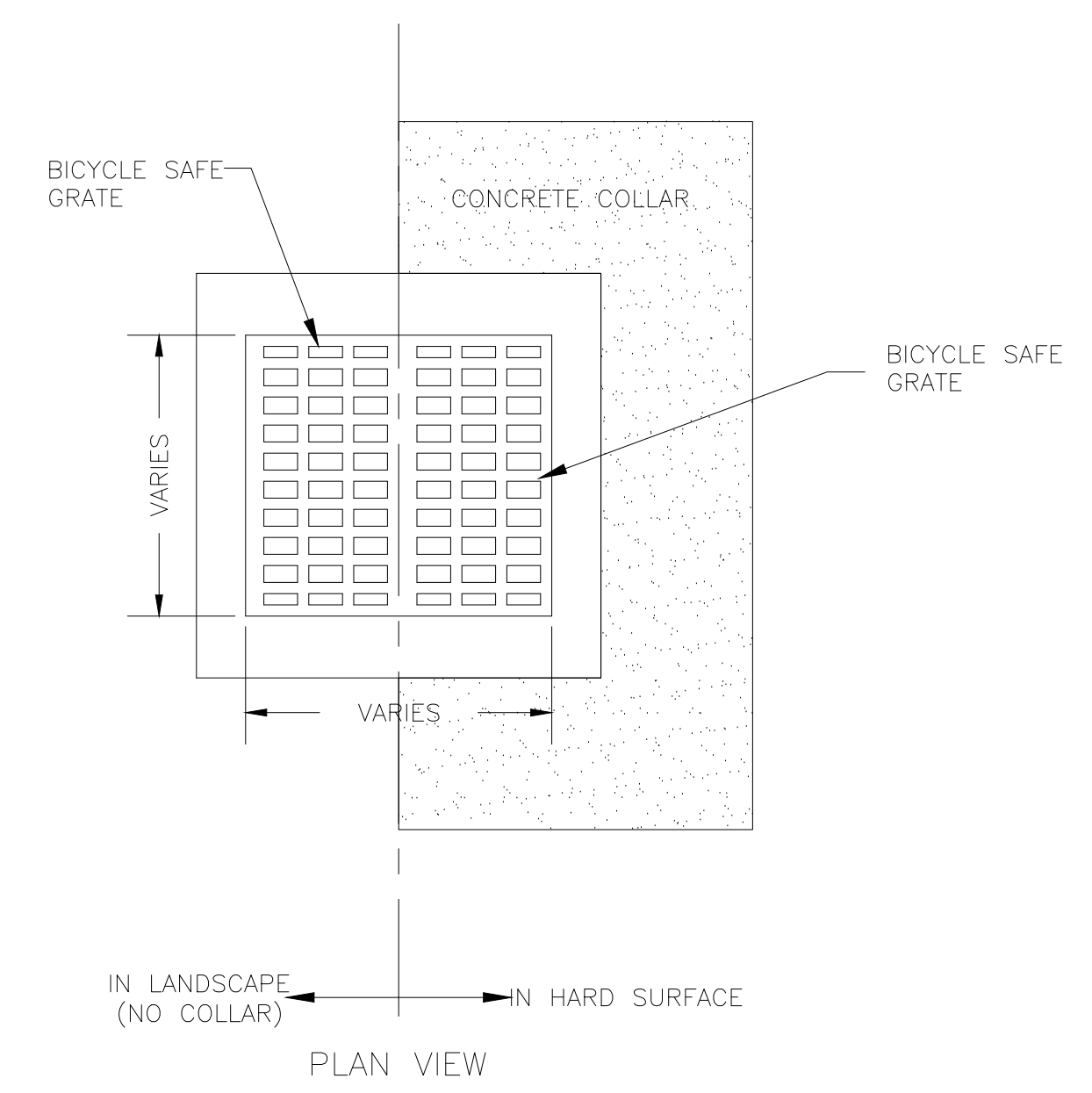


SECTION A-A

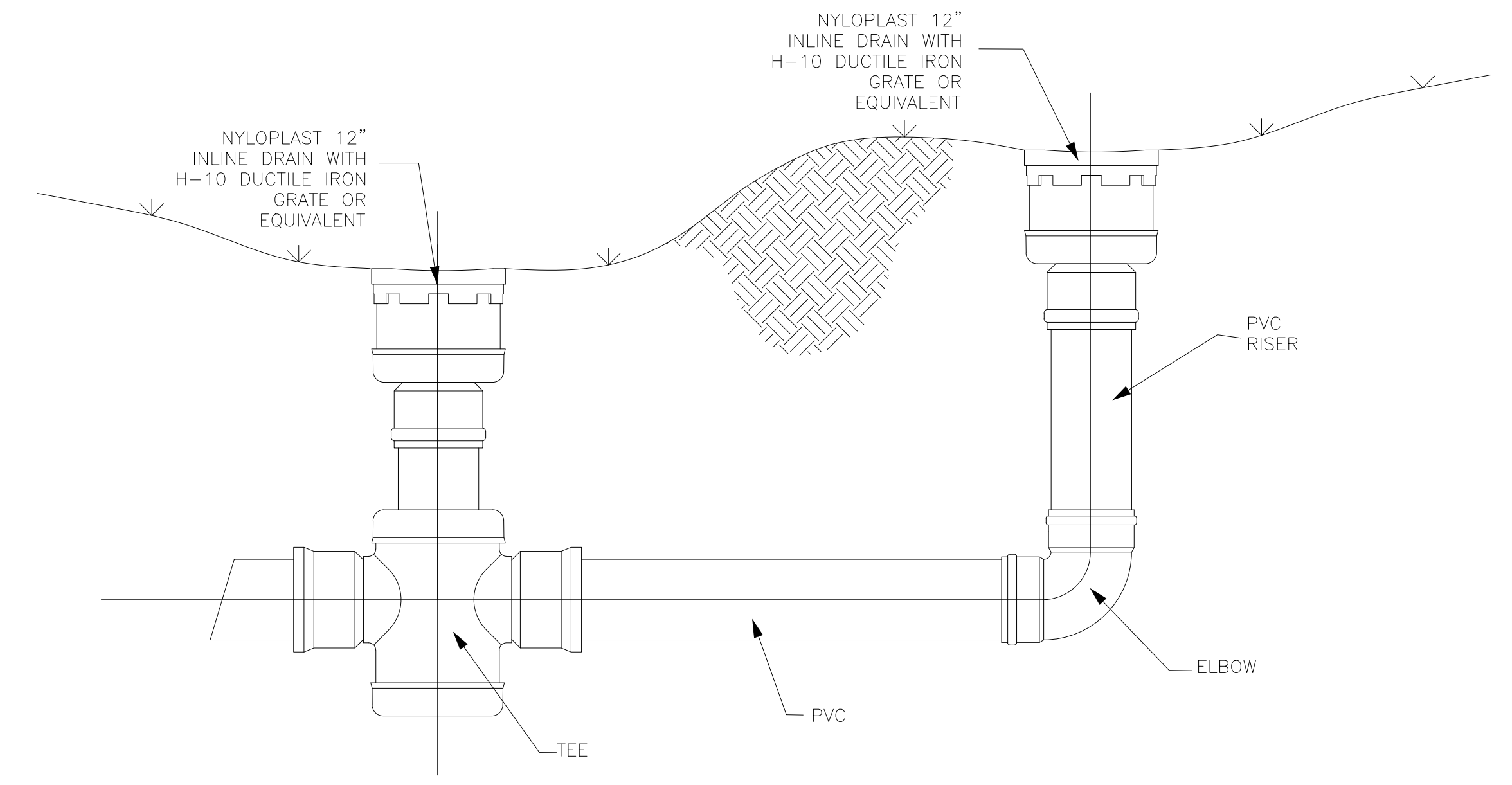
MANHOLE
N.T.S.



TYPICAL STORM DRAIN BOX
N.T.S.

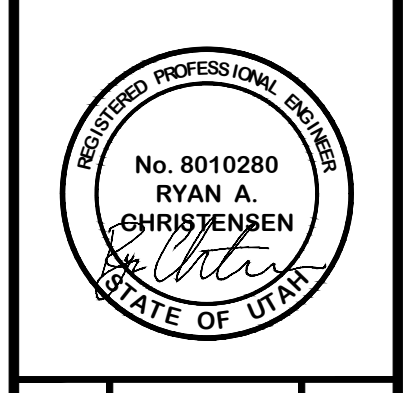


TYPICAL STORM DRAIN BOX
N.T.S.



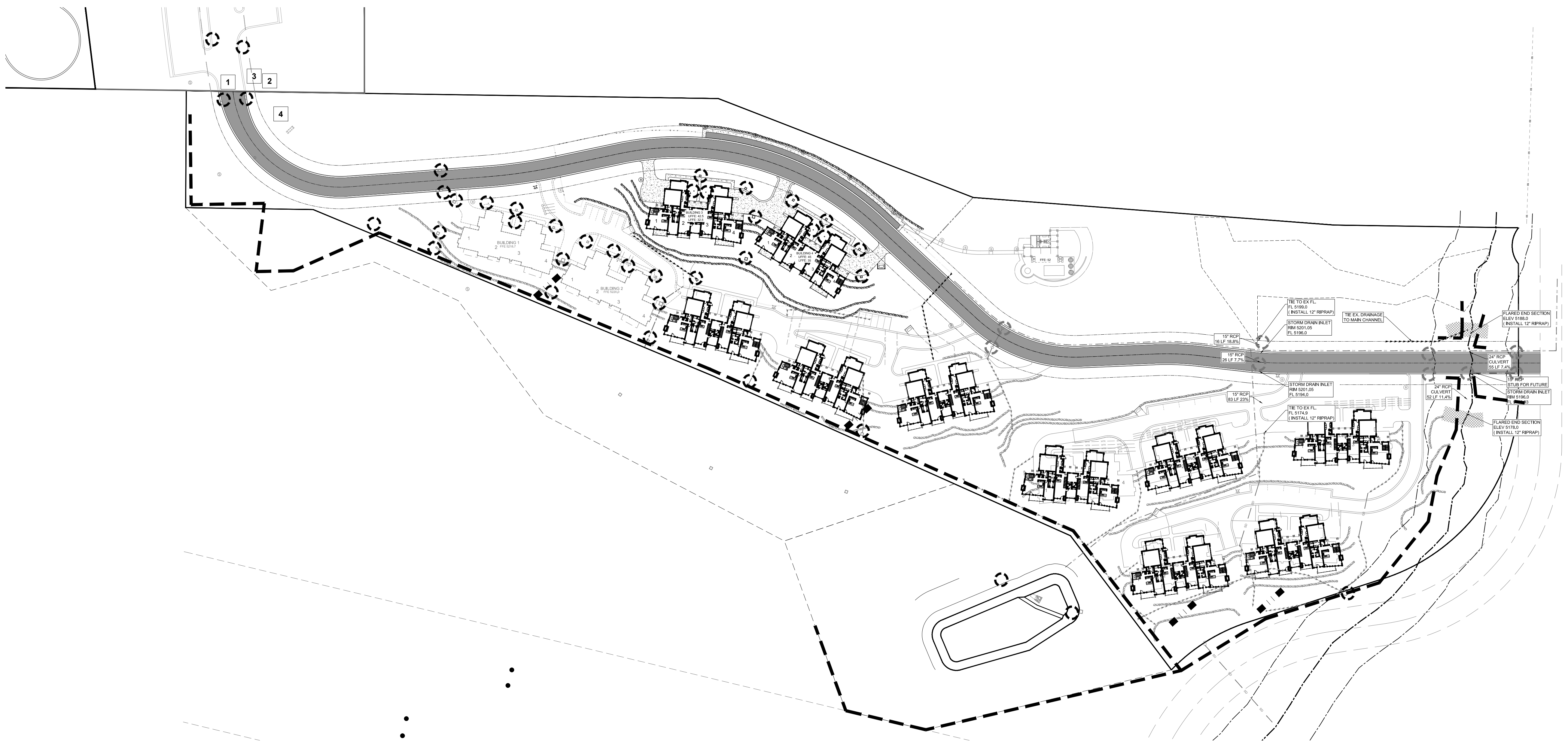
1' INLET - IN-LINE DRAIN BOX
N.T.S.

SCALE	N.T.S.
DATE	FEBRUARY 2004
DESIGN	RC
DRAWN	DTB
CHECKED	TN



DETAILS - 2
THE RIDGE - PHASE 2
LEWIS HOMES
EDEN, WEBER COUNTY, UTAH

GARDNER ENGINEERING
CIVIL-LAND PLANNING
MUNICIPAL-LAND SURVEYING
5150 SOUTH 375 EAST OGDEN, UT
OFFICE: 801.476.0202 FAX: 801.476.0066



SCALE	1" = 80'
DATE	FEBRUARY 2014
DESIGN	RC
DRAWN	DTB
CHECKED	TN



STORM WATER POLLUTION PREVENTION PLAN
THE RIDGE - PHASE 2
LEWIS HOMES
EDEN, WEBER COUNTY, UTAH

GARDNER ENGINEERING
 CIVIL • LAND PLANNING
 MUNICIPAL • LAND SURVEYING
 5150 SOUTH 375 EAST OGDEN, UT
 OFFICE: 801.476.0202 FAX: 801.476.0066

LEGEND

- INLET PROTECTION (GRAVEL FILLED WATTLES AND FABRIC UNDER GRATE)
- SILT FENCE - INSTALL SILT FENCE AS NEEDED TO CONTROL SEDIMENT
- FIBER ROLL / GRAVEL FILLED WATTLES (INSTALLED IN DRAINAGE SWALE)

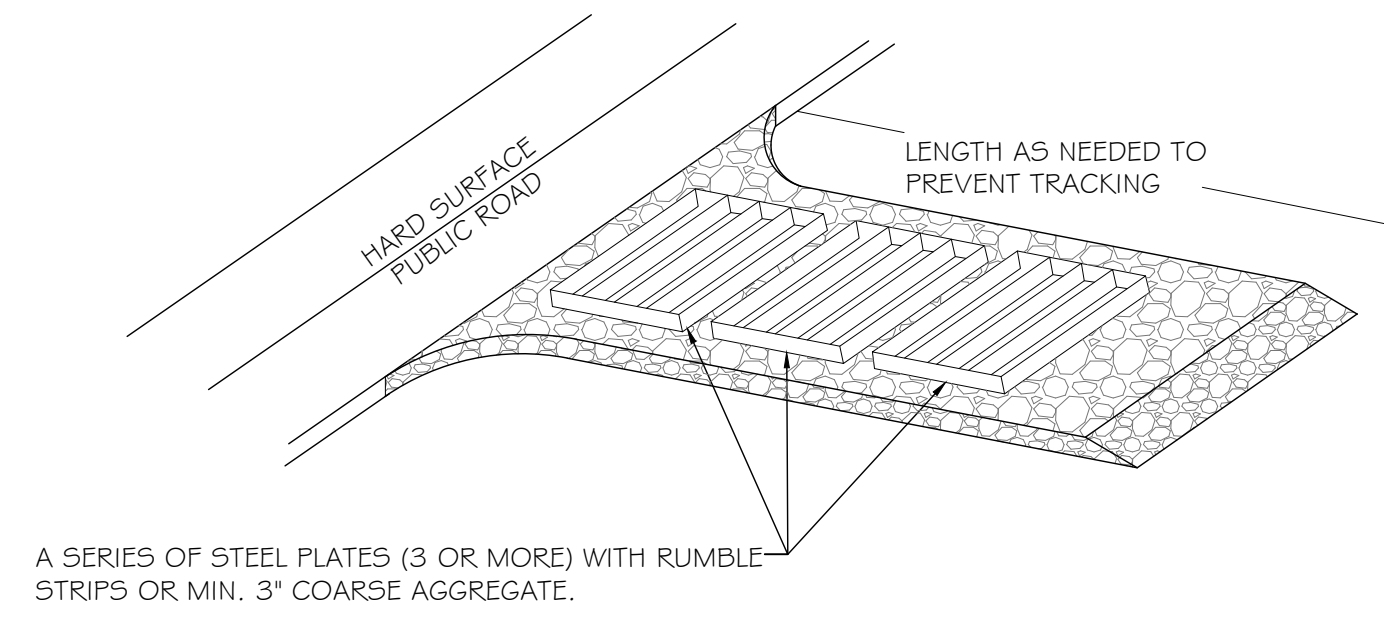
SWPPP KEY NOTES

- 1 STABILIZED CONSTRUCTION ENTRANCE
- 2 WASH-OUT AREA
- 3 POSTED SWPPP LOCATION
- 4 STAGING AREA / CONSTRUCTION SUPPORT

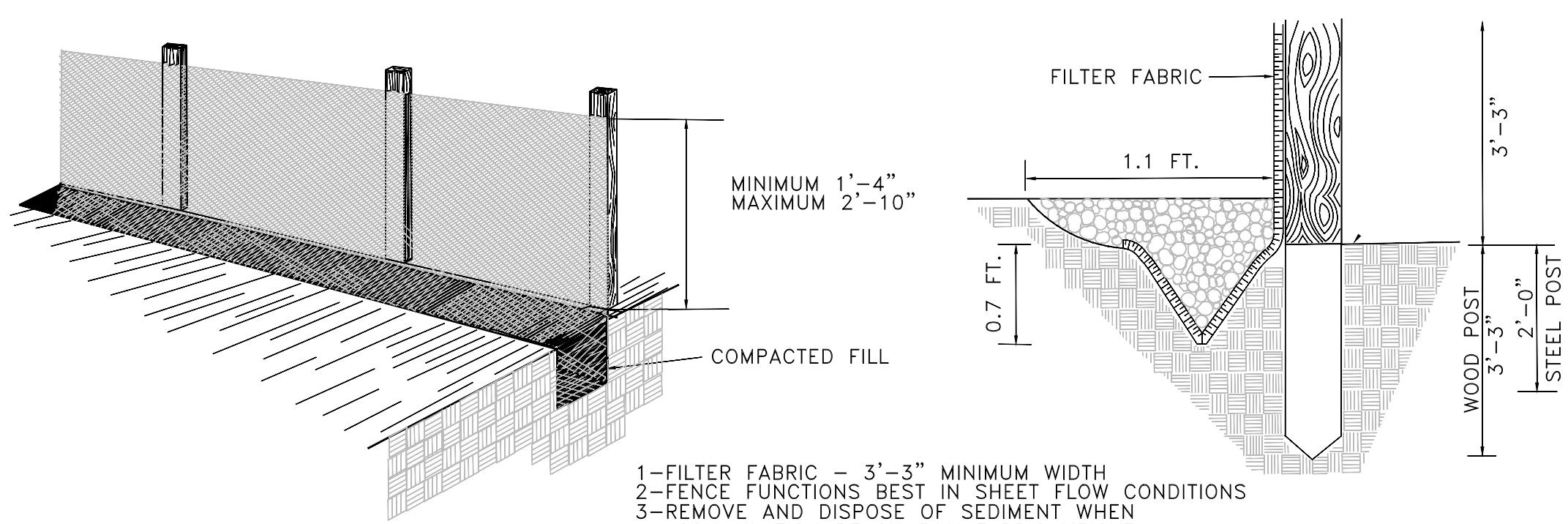
SWPPP NOTES

1. CONTRACTOR SHALL OBTAIN NECESSARY PERMITS FROM THE COUNTY AND THE STATE AS REQUIRED.
2. ALL REQUIREMENTS OF THE GENERAL PERMIT FOR CONSTRUCTION ACTIVITIES SHALL BE MET.
3. ALL BMP'S SHALL BE IN PLACE PRIOR TO BEGINNING OF CONSTRUCTION OR ACTIVITIES THAT MAY REQUIRE BMP'S
4. AN UPDATED COPY OF THE SWPPP SHALL BE MAINTAINED AT THE SITE.
5. SILT FENCE, INLET PROTECTION, AND STREET CLEANING SHALL BE COMPLETED AS NEEDED TO PREVENT EROSION AND SEDIMENT FROM ENTERING DRAINAGES.

DEVELOPER:
 LEWIS HOMES
 ERIC HOUSEHOLDER
 801-389-0040

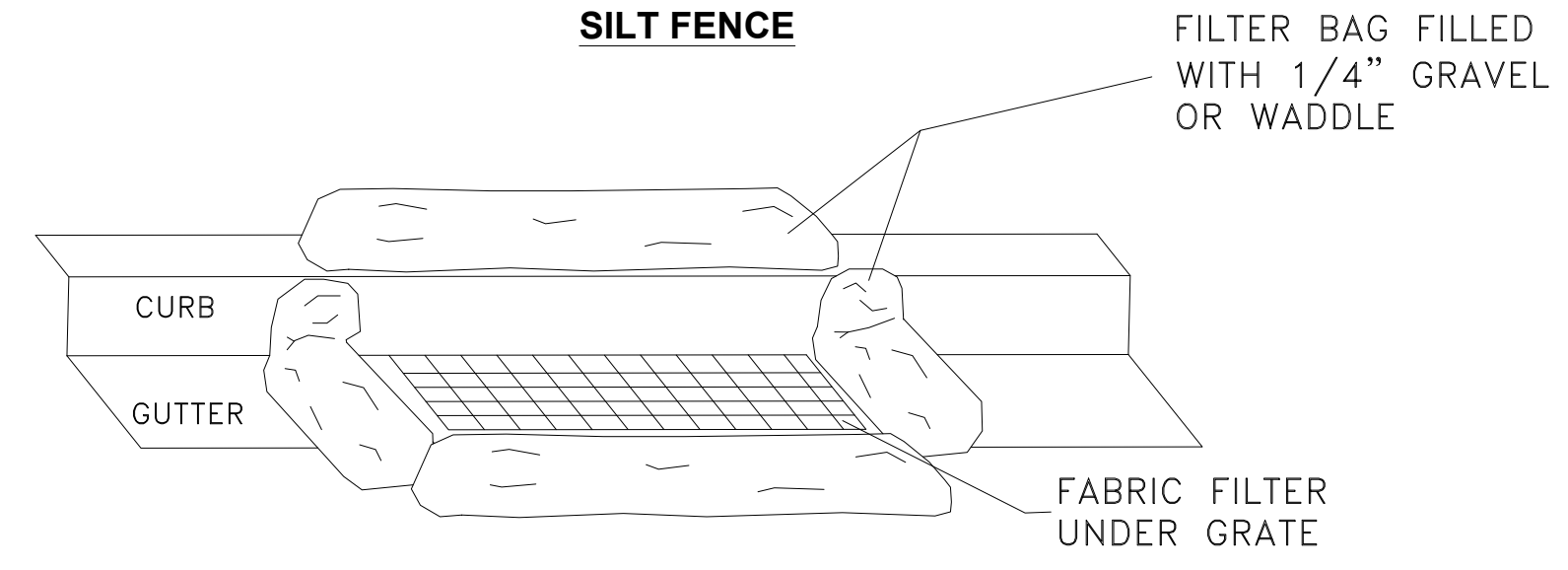


A SERIES OF STEEL PLATES (3 OR MORE) WITH RUMBLE STRIPS OR MIN. 3" COARSE AGGREGATE.



- 1-FILTER FABRIC - 3'-3" MINIMUM WIDTH
- 2-FENCE FUNCTIONS BEST IN SHEET FLOW CONDITIONS
- 3-REMOVE AND DISPOSE OF SEDIMENT WHEN ACCUMULATION REACH 50% FABRIC HEIGHT.
- 4-BACKFILL MIN 0.7 FT. THICK LAYER OF FREE DRAINING GRANULAR BACKFILL MATERIAL.

SILT FENCE



INLET PROTECTION

ENTRANCE STABILIZATION NOTES:

1. SEDIMENTS AND OTHER MATERIALS SHALL NOT BE TRACKED FROM THE SITE BY VEHICLE TRAFFIC. THE CONSTRUCTION ENTRANCE ROADWAYS SHALL BE STABILIZED SO AS TO PREVENT SEDIMENTS FROM BEING DEPOSITED INTO THE STORM DRAIN SYSTEMS. DEPOSITIONS MUST BE SWEEPED UP IMMEDIATELY AND MAY NOT BE WASHED DOWN BY RAIN OR OTHER MEANS INTO THE STORM DRAIN SYSTEM.
2. STABILIZED CONSTRUCTION ENTRANCE SHALL BE:
 - a. LOCATED AT ANY POINT WHERE TRAFFIC WILL BE ENTERING OR LEAVING A CONSTRUCTION SITE TO OR FROM A PUBLIC RIGHT-OF-WAY, STREET, ALLEY AND SIDEWALK OR PARKING AREA.
 - b. A SERIES OF STEEL PLATES WITH "RUMBLE STRIPS", AND/OR MIN. 3" COARSE AGGREGATE WITH LENGTH, WIDTH AND THICKNESS AS NEEDED TO ADEQUATELY PREVENT ANY TRACKING ONTO PAVED SURFACES.
3. ADDING A WASH RACK WITH A SEDIMENT TRAP LARGE ENOUGH TO COLLECT ALL WASH WATER CAN GREATLY IMPROVE EFFICIENCY.
4. ALL VEHICLES ACCESSING THE CONSTRUCTION SITE SHALL UTILIZE THE STABILIZED CONSTRUCTION ENTRANCE SITES.

STREET MAINTENANCE NOTES:

1. REMOVE ALL SEDIMENT DEPOSITED ON PAVED ROADWAYS IMMEDIATELY.
2. SWEEP PAVED AREAS THAT RECEIVE CONSTRUCTION TRAFFIC WHENEVER SEDIMENT BECOMES VISIBLE.
3. PAVEMENT WASHING WITH WATER IS PROHIBITED IF IT RESULTS IN A DISCHARGE TO THE STORM DRAIN SYSTEM.