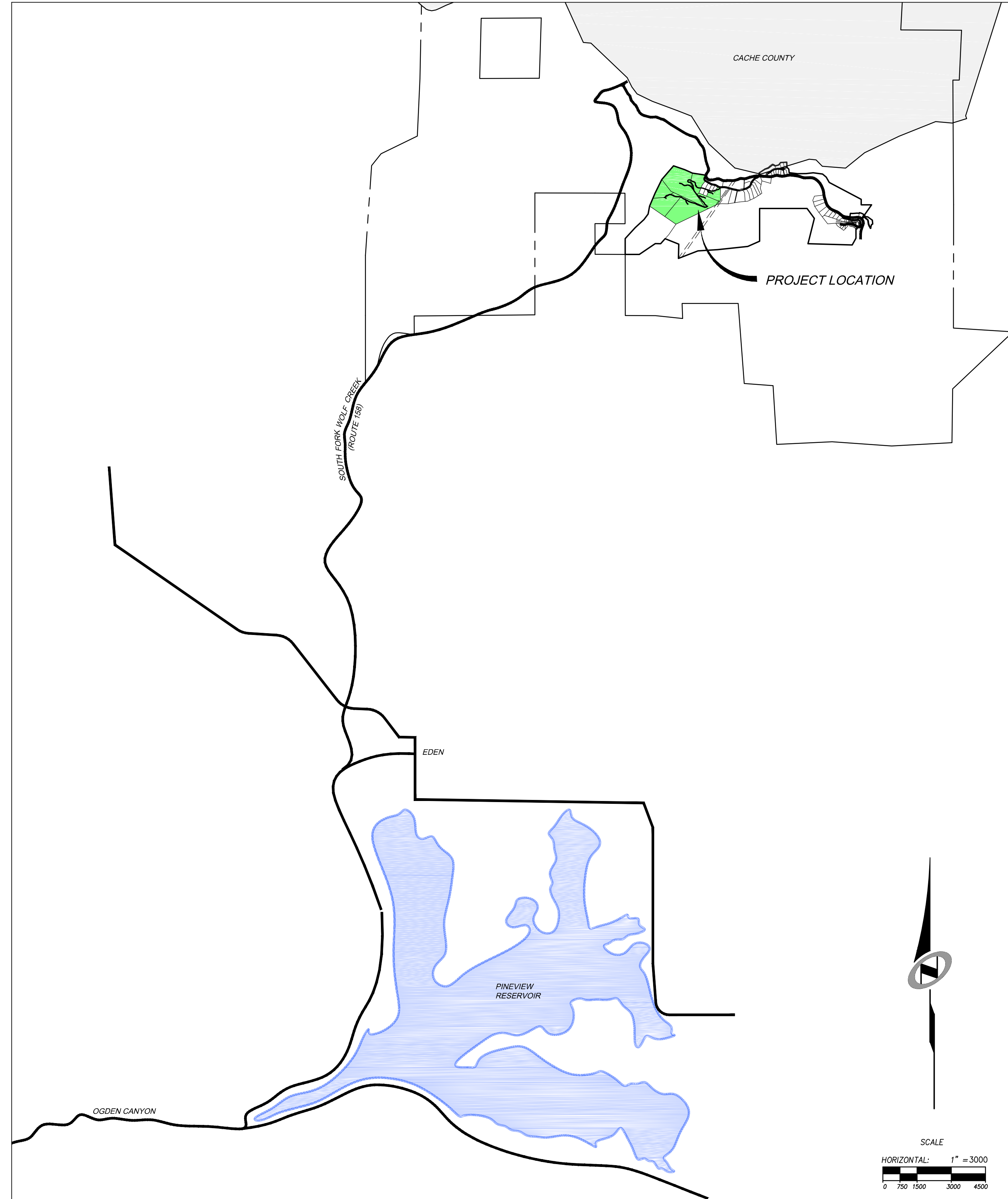


SUMMIT AT POWDER MOUNTAIN PHASES 1E/1F/1G

ROADWAY AND UTILITY CONSTRUCTION DRAWINGS

**Located in Sec 01 T7N R1E
Weber County, Utah**



SHEET INDEX:

SHEET NUMBER	SHEET DESCRIPTION
1.00	CIVIL TITLE SHEET
1.01	GENERAL NOTES, LEGEND, AND KEYNOTES
1.02	KEYMAP
1.03	OVERALL UTILITY
1.04	OVERALL GRADING
1.05	ROADWAY TYPICAL SECTIONS
2.00	PRIVATE DRIVE 1 - PLAN AND PROFILE
2.01	PRIVATE DRIVE 1 - PLAN AND PROFILE
2.02	PRIVATE DRIVE 1 - PLAN AND PROFILE
2.03	PRIVATE DRIVE 1 - PLAN AND PROFILE
2.04	PRIVATE DRIVE 1 - PLAN AND PROFILE
2.05	PRIVATE DRIVE 1 - PLAN AND PROFILE
2.06	PRIVATE DRIVE 1 - PLAN AND PROFILE
2.07	PRIVATE DRIVE 2 & 3 - PLAN AND PROFILE
2.08	PRIVATE DRIVE 4 - PLAN AND PROFILE
2.09	PRIVATE DRIVE 5 - PLAN AND PROFILE
3.00	EARTHWORK - CUT/FILL
3.01	EARTHWORK - CUT/FILL
3.02	EARTHWORK - CUT/FILL
4.00	EROSION CONTROL PLAN
4.01	EROSION CONTROL PLAN
4.02	EROSION CONTROL PLAN
5.00	STORM DRAIN DETAILS
5.01	WATER DETAILS
5.02	WATER DETAILS
5.03	WATER VAULT DETAILS
5.10	MISCELLANEOUS DETAILS
5.20	ELECTRICAL DETAILS

DATE: 7/10/15 TIME: 8:34:24 AM DRAWING NAME: P1001.DWG
 SERVER: NONE PAGE SETUP: LAYOUT: LAYOUT1
 PATH: N:\SLB0793\CAD\PHASE 1\VP\1E-1.DWG DESIGNED: ### PROJ. MGR: ###

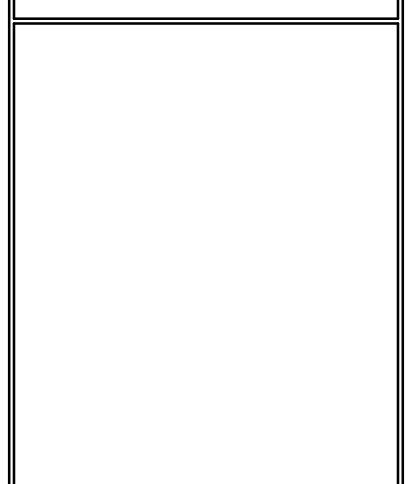
BOWDEN
 XREFS:

NO.	BY	DATE	REVISIONS

CAUTION
 The engineer preparing these plans will not be responsible for, or liable for, unauthorized changes to or uses of these plans. Any such changes or uses must be approved by the preparer of these plans.

SUMMIT EDEN PHASE 1E/1F/1G
CIVIL TITLE SHEET
 PREPARED FOR: SUMMIT MOUNTAIN HOLDING GROUP, LLC
 DATE SUBMITTED: 7/7/2015

NV5
 BEYOND ENGINEERING
 627 SOUTH STATE STREET, SUITE 200
 MURRAY, UT 84107
 801.743.0300 TEL. 801.743.0300 FAX
 WWW.NV5.COM



SHEET NUMBER
1.00

SCALE
 VERTICAL: 1" = 8'
 HORIZONTAL: 1" = 3000'

JOB NUMBER
SLB0793



GENERAL NOTES

- ALL CONSTRUCTION MUST STRICTLY FOLLOW THE STANDARDS AND SPECIFICATIONS SET FORTH BY: GOVERNING UTILITY MUNICIPALITY, GOVERNING CITY OR COUNTY (IF UN-INCORPORATED), INDIVIDUAL PRODUCT MANUFACTURERS, THE DESIGN ENGINEER, AND AMERICAN PUBLIC WORKS ASSOCIATION (APWA). THE ORDER LISTED ABOVE IS ARRANGED BY SENIORITY. IF A CONSTRUCTION PRACTICE IS NOT SPECIFIED BY ANY OF THE LISTED SOURCES, CONTRACTOR MUST CONTACT DESIGN ENGINEER FOR DIRECTION.
- CONTRACTOR TO STRICTLY FOLLOW GEOTECHNICAL RECOMMENDATIONS FOR THIS PROJECT. ALL GRADING INCLUDING BUT NOT LIMITED TO CUT, FILL, COMPACTION, ASPHALT SECTION, SUBBASE, TRENCH EXCAVATION/BACKFILL, SITE GRUBBING, RETAINING WALLS AND FOOTINGS MUST BE COORDINATED DIRECTLY WITH THE PROJECT GEOTECHNICAL ENGINEER.
- TRAFFIC CONTROL, STRIPING & SIGNAGE TO CONFORM TO CURRENT UDOT TRANSPORTATION ENGINEER'S MANUAL AND MANUAL OF UNIFORM TRAFFIC CONTROL DEVICES.
- ANY AREA OUTSIDE THE LIMIT OF WORK THAT IS DISTURBED SHALL BE RESTORED TO ITS ORIGINAL CONDITION AT NO COST TO OWNER.
- CONSULT ALL OF THE DRAWINGS AND SPECIFICATIONS FOR COORDINATION REQUIREMENTS BEFORE COMMENCING CONSTRUCTION.
- AT ALL LOCATIONS WHERE EXISTING PAVEMENT ADJUTS NEW CONSTRUCTION, THE EDGE OF THE EXISTING PAVEMENT SHALL BE SAWCUT TO A CLEAN, SMOOTH EDGE.
- ALL CONSTRUCTION AND MATERIALS SHALL BE IN ACCORDANCE WITH THE MOST RECENT, ADOPTED EDITION OF ADA ACCESSIBILITY GUIDELINES.
- PRIOR TO STARTING CONSTRUCTION, THE CONTRACTOR SHALL BE RESPONSIBLE FOR MAKING SURE THAT ALL REQUIRED PERMITS AND APPROVALS HAVE BEEN OBTAINED. NO CONSTRUCTION OR FABRICATION SHALL BEGIN UNTIL THE CONTRACTOR HAS RECEIVED THOROUGHLY REVIEWED PLANS AND OTHER DOCUMENTS APPROVED BY ALL OF THE PERMITTING AUTHORITIES.
- CONTRACTOR IS RESPONSIBLE FOR SCHEDULING AND NOTIFYING ENGINEER OR INSPECTING AUTHORITY 48 HOURS IN ADVANCE OF COVERING UP ANY PHASE OF CONSTRUCTION REQUIRING OBSERVATION.
- ANY WORK IN THE PUBLIC RIGHT-OF-WAY WILL REQUIRE PERMITS FROM THE APPROPRIATE, CITY, COUNTY OR STATE AGENCY CONTROLLING THE ROAD, INCLUDING OBTAINING REQUIRED INSPECTIONS.
- ALL DIMENSIONS, GRADES & UTILITY DESIGNS SHOWN ON THE PLANS SHALL BE VERIFIED BY THE CONTRACTOR PRIOR TO CONSTRUCTION. CONTRACTOR SHALL NOTIFY ENGINEER OF ANY DISCREPANCIES PRIOR TO PROCEEDING WITH CONSTRUCTION FOR NECESSARY PLAN OR GRADE CHANGES.
- CONTRACTOR MUST VERIFY ALL EXISTING CONDITIONS BEFORE BIDDING AND BRING UP ANY QUESTIONS BEFOREHAND.
- SITE GRADING SHALL BE PERFORMED IN ACCORDANCE WITH THESE PLANS AND SPECIFICATIONS AND THE RECOMMENDATIONS SET FORTH BY THE GEOTECHNICAL ENGINEER.
- CATCH SLOPES SHALL BE GRADED AS SPECIFIED ON GRADING PLANS.
- CONTRACTOR SHALL BE RESPONSIBLE FOR ALL FLAGGING, CAUTION SIGNS, LIGHTS, BARRICADES, FLAGMEN, AND ALL OTHER DEVICES NECESSARY FOR PUBLIC SAFETY.
- CONTRACTOR SHALL, AT THE TIME OF BIDDING AND THROUGHOUT THE PERIOD OF THE CONTRACT, BE LICENSED IN THE STATE OF UTAH AND SHALL BE BONDABLE FOR AN AMOUNT EQUAL TO OR GREATER THAN THE AMOUNT BID AND TO DO THE TYPE OF WORK CONTEMPLATED IN THE PLANS AND SPECIFICATIONS. CONTRACTOR SHALL BE SKILLED AND REGULARLY ENGAGED IN THE GENERAL CLASS AND TYPE OF WORK CALLED FOR IN THE PLANS AND SPECIFICATIONS.
- CONTRACTOR SHALL INSPECT THE SITE OF THE WORK PRIOR TO BIDDING TO SATISFY HIMSELF BY PERSONAL EXAMINATION OR BY SUCH OTHER MEANS AS HE MAY PREFER OF THE LOCATION OF THE PROPOSED WORK AND OF THE ACTUAL CONDITIONS OF AND AT THE SITE OF WORK. IF, DURING THE COURSE OF HIS EXAMINATION, A BIDDER FINDS FACTS OR CONDITIONS WHICH APPEAR TO HIM TO BE IN CONFLICT WITH THE LETTER OR SPIRIT OF THE PROJECT PLANS AND SPECIFICATIONS, HE SHALL CONTACT THE ENGINEER FOR ADDITIONAL INFORMATION AND EXPLANATION BEFORE SUBMITTING HIS BID. SUBMISSION OF A BID BY THE CONTRACTOR SHALL CONSTITUTE ACKNOWLEDGMENT THAT, IF AWARDED THE CONTRACT, HE HAS RELIED AND IS RELYING ON HIS OWN EXAMINATION OF (1) THE SITE OF THE WORK, (2) ACCESS TO THE SITE, AND (3) ALL OTHER DATA AND MATTERS REQUISITE TO THE FULFILLMENT OF THE WORK AND ON HIS OWN KNOWLEDGE OF EXISTING FACILITIES ON AND IN THE VICINITY OF THE SITE OF THE WORK TO BE CONSTRUCTED UNDER THIS CONTRACT. THE INFORMATION PROVIDED BY THE ENGINEER IS NOT INTENDED TO BE A SUBSTITUTE FOR, OR A SUPPLEMENT TO, THE INDEPENDENT VERIFICATION BY THE CONTRACTOR TO THE EXTENT SUCH INDEPENDENT INVESTIGATION OF SITE CONDITIONS IS DEEMED NECESSARY OR DESIRABLE BY THE CONTRACTOR. CONTRACTOR SHALL ACKNOWLEDGE THAT HE HAS NOT RELIED SOLELY UPON OWNER- OR ENGINEER-FURNISHED INFORMATION REGARDING SITE CONDITIONS IN PREPARING AND SUBMITTING HIS BID.
- CONTRACTOR SHALL BE RESPONSIBLE TO PROVIDE ALL WATER, POWER, SANITARY FACILITIES AND TELEPHONE SERVICES AS REQUIRED FOR THE CONTRACTOR'S USE DURING CONSTRUCTION.
- CONTRACTOR SHALL BE HELD RESPONSIBLE FOR ANY FIELD CHANGES MADE WITHOUT PRIOR WRITTEN AUTHORIZATION FROM THE OWNER, ENGINEER, AND/OR GOVERNING AGENCIES.
- CONTRACTOR SHALL EXERCISE DUE CAUTION AND SHALL CAREFULLY PRESERVE BENCH MARKS, CONTROL POINTS, REFERENCE POINTS AND ALL SURVEY STAKES, AND SHALL BEAR ALL EXPENSES FOR REPLACEMENT AND/OR ERRORS CAUSED BY THEIR UNNECESSARY LOSS OR DISTURBANCE.
- CONTRACTOR SHALL ASSUME SOLE AND COMPLETE RESPONSIBILITY FOR JOBSITE CONDITIONS DURING THE COURSE OF CONSTRUCTION OF THIS PROJECT, INCLUDING SAFETY OF ALL PERSONS AND PROPERTY. THIS RESPONSIBILITY SHALL APPLY CONTINUOUSLY AND NOT BE LIMITED TO NORMAL WORKING HOURS. THE CONTRACTOR SHALL DEFEND, INDEMNIFY AND HOLD THE OWNER AND ENGINEER HARMLESS FROM ANY AND ALL LIABILITY, REAL OR ALLEGED, IN CONNECTION WITH THE PERFORMANCE OF WORK ON THIS PROJECT, EXCEPTING FOR LIABILITY ARISING FROM THE SOLE NEGLIGENCE OF THE OWNER OR THE ENGINEER.
- CONTRACTOR SHALL BE RESPONSIBLE FOR ADEQUATELY SCHEDULING INSPECTION AND TESTING OF ALL FACILITIES CONSTRUCTED UNDER THIS CONTRACT. ALL TESTING SHALL CONFORM TO THE REGULATORY AGENCY'S STANDARD SPECIFICATIONS. ALL TESTING AND INSPECTION SHALL BE PAID FOR BY THE OWNER; ALL RE-TESTING AND/OR RE-INSPECTION SHALL BE PAID FOR BY THE CONTRACTOR.
- IF EXISTING IMPROVEMENTS NEED TO BE DISTURBED AND/OR REMOVED FOR THE PROPER PLACEMENT OF IMPROVEMENTS TO BE COVERED BY THESE PLANS, THE CONTRACTOR SHALL BE RESPONSIBLE FOR PROTECTING EXISTING IMPROVEMENTS FROM DAMAGE. COST OF REPLACING OR REPAIRING EXISTING IMPROVEMENTS SHALL BE INCLUDED IN THE UNIT PRICE BID FOR ITEMS REQUIRING REMOVAL AND/OR REPLACEMENT. THERE WILL BE NO EXTRA COST DUE TO THE CONTRACTOR FOR REPLACING OR REPAIRING EXISTING IMPROVEMENTS.
- WHenever existing facilities are removed, damaged, broken, or cut in the installation of the work covered by these plans or specifications, said facilities shall be replaced at the contractor's expense with materials equal to or better than the materials used in the original existing facilities. The finished product shall be subject to the approval of the owner, the engineer, and the respective regulatory agency.
- CONTRACTOR SHALL MAINTAIN A NEATLY MARKED SET OF FULL-SIZE AS-BUILT RECORD DRAWINGS SHOWING THE FINAL LOCATION AND LAYOUT OF ALL STRUCTURES AND OTHER FACILITIES. AS-BUILT RECORD DRAWINGS SHALL REFLECT CHANGE ORDERS, ACCOMMODATIONS, AND ADJUSTMENTS TO ALL IMPROVEMENTS CONSTRUCTED WHERE NECESSARY. SUPPLEMENTAL DRAWINGS SHALL BE PREPARED AND SUBMITTED BY THE CONTRACTOR PRIOR TO ACCEPTANCE OF THE PROJECT. THE CONTRACTOR SHALL DELIVER TO THE ENGINEER ONE SET OF NEATLY MARKED AS-BUILT RECORD DRAWINGS SHOWING THE INFORMATION REQUIRED ABOVE. AS-BUILT RECORD DRAWINGS SHALL BE REVIEWED AND THE COMPLETE AS-BUILT RECORD DRAWING SET SHALL BE CURRENT WITH ALL CHANGES AND DEVIATIONS REDLINED AS A PRECONDITION TO THE FINAL PROGRESS PAYMENT APPROVAL AND/OR FINAL ACCEPTANCE.
- WHERE THE PLANS OR SPECIFICATIONS DESCRIBE PORTIONS OF THE WORK IN GENERAL TERMS BUT NOT IN COMPLETE DETAIL, IT IS UNDERSTOOD THAT ONLY THE BEST GENERAL PRACTICE IS TO PREVAIL AND THAT ONLY MATERIALS AND WORKMANSHIP OF THE FIRST QUALITY ARE TO BE USED.

GENERAL NOTES CONT.

- CONTRACTOR SHALL BE SKILLED AND REGULARLY ENGAGED IN THE GENERAL CLASS AND TYPE OF WORK CALLED FOR IN THE PROJECT PLANS AND SPECIFICATIONS. THEREFORE, THE OWNER IS RELYING UPON THE EXPERIENCE AND EXPERTISE OF THE CONTRACTOR. PRICES PROVIDED WITHIN THE CONTRACT DOCUMENTS SHALL INCLUDE ALL LABOR AND MATERIALS NECESSARY AND PROPER FOR THE WORK CONTEMPLATED AND THAT THE WORK BE COMPLETED IN ACCORDANCE WITH THE TRUE INTENT AND PURPOSE OF THESE PLANS AND SPECIFICATIONS. THE CONTRACTOR SHALL BE COMPETENT, KNOWLEDGEABLE AND HAVE SPECIAL SKILLS IN THE NATURE, EXTENT AND INHERENT CONDITIONS OF THE WORK TO BE PERFORMED. CONTRACTOR SHALL ALSO ACKNOWLEDGE THAT THERE ARE CERTAIN PECULIAR AND INHERENT CONDITIONS EXISTENT IN THE CONSTRUCTION OF THE PARTICULAR FACILITIES WHICH MAY CREATE, DURING THE CONSTRUCTION PROGRAM, UNUSUAL OR UNSAFE CONDITIONS HAZARDOUS TO PERSONS, PROPERTY AND THE ENVIRONMENT. CONTRACTOR SHALL BE AWARE OF SUCH PECULIAR RISKS AND HAVE THE SKILL AND EXPERIENCE TO FORESEE AND TO ADOPT PROTECTIVE MEASURES TO ADEQUATELY AND SAFELY PERFORM THE CONSTRUCTION WORK WITH RESPECT TO SUCH HAZARDS.
- CONTRACTOR SHALL BE RESPONSIBLE FOR THE REMOVAL OF ALL STRIPING AND/OR PAVEMENT MARKINGS NECESSARY TO TIE EXISTING STRIPING INTO FUTURE STRIPING. METHOD OF REMOVAL SHALL BE BY GRINDING OR SANDBLASTING.
- CONTRACTOR SHALL PROVIDE ALL SHORING, BRACING, SLOPING OR OTHER PROVISIONS NECESSARY TO PROTECT WORKMEN FOR ALL AREAS TO BE EXCAVATED TO A DEPTH OF 4' OR MORE. FOR EXCAVATIONS 4 FEET OR MORE IN DEPTH, THE CONTRACTOR SHALL COMPLY WITH INDUSTRIAL COMMISSION OF UTAH SAFETY ORDERS SECTION 68 - EXCAVATIONS, AND SECTION 69 - TRENCHES, ALONG WITH ANY LOCAL CODES OR ORDINANCES.
- ALL EXISTING GATES AND FENCES TO REMAIN UNLESS OTHERWISE NOTED ON PLANS. PROTECT ALL GATES AND FENCES FROM DAMAGE.
- CONTRACTORS TO PROVIDE TEMPORARY ADDRESS MARKERS AT THE BUILDING SITE DURING CONSTRUCTION.

UTILITY NOTES

- CONTRACTOR SHALL COORDINATE LOCATION OF NEW "DRY UTILITIES" WITH THE APPROPRIATE UTILITY COMPANY, INCLUDING BUT NOT LIMITED TO: TELEPHONE SERVICE, GAS SERVICE, CABLE, POWER, INTERNET.
- EXISTING UTILITIES HAVE BEEN SHOWN ON THE PLANS USING A COMBINATION OF ON-SITE SURVEYS (BY OTHERS). PRIOR TO COMMENCING ANY WORK, IT SHALL BE THE CONTRACTOR'S RESPONSIBILITY TO HAVE EACH UTILITY COMPANY LOCATE, IN THE FIELD, THEIR MAIN AND SERVICE LINES. THE CONTRACTOR SHALL NOTIFY BLUE STAKES AT 1-800-682-4111 48 HOURS IN ADVANCE OF PERFORMING ANY EXCAVATION WORK. THE CONTRACTOR SHALL RECORD THE BLUE STAKES ORDER NUMBER AND FURNISH ORDER NUMBER TO OWNER AND ENGINEER PRIOR TO ANY EXCAVATION. IT WILL BE THE CONTRACTOR'S SOLE RESPONSIBILITY TO DIRECTLY CONTACT ANY OTHER UTILITY COMPANIES THAT ARE NOT MEMBERS OF BLUE STAKES. IT SHALL BE THE CONTRACTOR'S SOLE RESPONSIBILITY TO PROTECT ALL EXISTING UTILITIES SO THAT NO DAMAGE RESULTS TO THEM DURING THE PERFORMANCE OF THIS CONTRACT. ANY REPAIRS NECESSARY TO DAMAGED UTILITIES SHALL BE PAID FOR BY THE CONTRACTOR. THE CONTRACTOR SHALL BE REQUIRED TO COOPERATE WITH OTHER CONTRACTORS AND UTILITY COMPANIES INSTALLING NEW STRUCTURES, UTILITIES AND SERVICE TO THE PROJECT.
- CONTRACTOR SHALL NOT HOLE ALL UTILITIES TO DETERMINE IF CONFLICTS EXIST PRIOR TO BEGINNING ANY EXCAVATION. NOTIFY ENGINEER OF ANY CONFLICTS. CONTRACTOR SHALL VERIFY LOCATION AND INVERTS OF EXISTING UTILITIES TO WHICH NEW UTILITIES WILL BE CONNECTED. PRIOR TO COMMENCING ANY EXCAVATION WORK THE CONTRACTOR SHALL NOTIFY ALL UTILITY COMPANIES IN ACCORDANCE WITH THE REQUIRED PROCEDURES.
- CARE SHOULD BE TAKEN IN ALL EXCAVATIONS DUE TO POSSIBLE EXISTENCE OF UNRECORDED UTILITY LINES. EXCAVATION REQUIRED WITHIN PROXIMITY OF EXISTING UTILITY LINES SHALL BE DONE BY HAND. CONTRACTOR SHALL REPAIR ANY DAMAGE TO EXISTING UTILITY LINES OR STRUCTURES INCURRED DURING CONSTRUCTION OPERATIONS AT HIS EXPENSE.
- ALL VALVES AND MANHOLE COVERS SHALL BE RAISED OR LOWERED TO MEET FINISHED GRADE.
- CONTRACTOR SHALL CUT PIPES OFF FLUSH WITH THE INSIDE WALL OF THE BOX OR MANHOLE.
- CONTRACTOR SHALL GROUT AT CONNECTION OF PIPE TO BOX WITH NON-SHRINKING GROUT, INCLUDING PIPE VOIDS LEFT BY CUTTING PROCESS, TO A SMOOTH FINISH.
- CONTRACTOR SHALL GROUT WITH NON-SHRINK GROUT BETWEEN GRADE RINGS AND BETWEEN BOTTOM OF INLET LID FRAME AND TOP OF CONCRETE BOX.
- SILT AND DEBRIS IS TO BE CLEANED OUT OF ALL STORM DRAIN BOXES. CATCH BASINS ARE TO BE MAINTAINED IN A CLEANED CONDITION AS NEEDED UNTIL AFTER THE FINAL BOND RELEASE INSPECTION.
- CONTRACTOR SHALL CLEAN ASPHALT, TAR OR OTHER ADHESIVES OFF OF ALL MANHOLE LIDS AND INLET GRATES TO ALLOW ACCESS.
- EACH TRENCH SHALL BE EXCAVATED SO THAT THE PIPE CAN BE LAID TO THE ALIGNMENT AND GRADE AS REQUIRED. THE TRENCH WALL SHALL BE SO BRACED THAT THE WORKMEN MAY WORK SAFELY AND EFFICIENTLY. ALL TRENCHES SHALL BE DRAINED SO THE PIPE LAYING MAY TAKE PLACE IN DEWATERED CONDITIONS. THE CONTRACTOR IS SOLELY RESPONSIBLE FOR THE COST OF DEWATERING AND NO COST CHANGE WILL BE PROVIDED.
- CONTRACTOR SHALL PROVIDE AND MAINTAIN AT ALL TIMES AMPLE MEANS AND DEVICES WITH WHICH TO REMOVE PROMPTLY AND TO PROPERLY DISPOSE OF ALL WATER ENTERING THE TRENCH EXCAVATION.
- MAINTAIN A MINIMUM 18" VERTICAL SEPARATION DISTANCE BETWEEN ALL UTILITY CROSSINGS.
- CONTRACTOR SHALL START INSTALLATION AT LOW POINT OF ALL NEW GRAVITY UTILITY LINES.
- ALL BOLTED FITTINGS MUST BE GREASED AND WRAPPED.
- UNLESS SPECIFICALLY NOTED OTHERWISE, MAINTAIN AT LEAST 2 FEET OF COVER OVER ALL STORM DRAIN LINES AT ALL TIMES (INCLUDING DURING CONSTRUCTION).
- ALL WATER LINES SHALL BE INSTALLED A MINIMUM OF 60" OF COVER TO TOP OF PIPE BELOW FINISHED GRADE.
- ALL SEWER LINES AND SEWER SERVICES SHALL HAVE A MINIMUM SEPARATION OF 10 FEET, PIPE EDGE TO PIPE EDGE, FROM THE WATER LINES.
- CONTRACTOR SHALL INSTALL THRUST BLOCKING AT ALL WATERLINE ANGLE POINTS AND TEES.
- ALL UNDERGROUND UTILITIES SHALL BE IN PLACE PRIOR TO INSTALLATION OF CURB, GUTTER, SIDEWALK AND STREET PAVING.
- CONTRACTOR SHALL INSTALL MAGNETIC LOCATING TAPE CONTINUOUSLY OVER ALL NONMETALLIC PIPE.
- THE CONTRACTOR SHALL NOTIFY NOLTE ASSOCIATES, INC. IN WRITING AT LEAST 48 HOURS PRIOR TO BACKFILLING OF ANY PIPE WHICH STUBS TO A FUTURE PHASE OF CONSTRUCTION FOR INVERT VERIFICATION. TOLERANCE SHALL BE IN ACCORDANCE WITH THE REGULATORY AGENCY STANDARD SPECIFICATIONS.
- UNDER NO CIRCUMSTANCE SHALL THE PIPE OR ACCESSORIES BE DROPPED INTO THE TRENCH

GEOTECHNICAL REPORT

CONTRACTOR SHALL BE RESPONSIBLE FOR OBTAINING AND READ A COPY OF THE GEOTECHNICAL REPORT "DESIGN GEOTECHNICAL INVESTIGATION POWDER MOUNTAIN RESORT WEBER, COUNTY, UTAH" PRODUCED BY IGES. IGES PROJECT NUMBER 01628-003, DATED NOVEMBER 9, 2012. CONTRACTOR SHALL FOLLOW THE RECOMMENDATIONS AND GUIDELINES FOUND THEREIN.

LEGEND:

SYMBOL / LINETYPE	DESCRIPTION	DETAIL
	PROPOSED GATE VALVE	APWA PLAN NO. 561,562
	PROPOSED FIRE HYDRANT ASSEMBLY	APWA PLAN NO. 511
	10" W C-900 PVC WATER PIPE (UNLESS NOTED OTHERWISE)	APWA PLAN NO. 381,382
	18" SD CLIII RCP DRAINAGE PIPE	APWA PLAN NO. 381,382
	STORM DRAIN MANHOLE	APWA PLAN NO. 341
	3'X3' CATCH BASIN AND GRATE	PER DETAIL SHEET 5.00
	FLARED END SECTION	PER DETAIL SHEET 5.00
	DRAINAGE SWALE	N/A
	ELECTRICAL CONDUIT	N/A
	COMMUNICATION CONDUIT	N/A
	PROPOSED PAVEMENT SECTION	PER IGES GEOTECH REPORT 11/09/12
	ADJOINING PROPERTY BOUNDARY	N/A
	WEBER/CACHE COUNTY LINE	N/A
	PROPOSED LOT LINE	N/A
	PROPOSED ROAD RIGHT OF WAY	N/A
	PROPOSED ROAD CENTERLINE	N/A
	PROPOSED GUARDRAIL	N/A
	PROPOSED ROUNDED END SECTION	N/A
	EXISTING 6" WATER PIPE	UDOT BA 4D1
	EXISTING SEWER PIPE	UDOT BA 4C1, BA 4C2 - TYPE II ANCHOR
	EXISTING SEWER MANHOLE	N/A
	EXISTING SEWER MANHOLE	N/A

NOTE: LEGEND MAY CONTAIN SYMBOLS THAT ARE NOT USED IN PLAN SET.

EROSION CONTROL GENERAL NOTES:

THE CONTRACTOR TO USE BEST MANAGEMENT PRACTICES FOR PROVIDING EROSION CONTROL FOR CONSTRUCTION OF THIS PROJECT. ALL MATERIAL AND WORKMANSHIP SHALL CONFORM TO WEBER COUNTY ORDINANCES AND ALL WORK SHALL BE SUBJECT TO INSPECTION BY THE COUNTIES. ALSO, INSPECTORS WILL HAVE THE RIGHT TO CHANGE THE FACILITIES AS NEEDED.

CONTRACTOR SHALL KEEP THE SITE WATERED TO CONTROL DUST. CONTRACTOR TO LOCATE A NEARBY HYDRANT FOR USE AND TO INSTALL TEMPORARY METER. CONSTRUCTION WATER COST TO BE INCLUDED IN BID.

WHEN GRADING OPERATIONS ARE COMPLETED AND THE DISTURBED GROUND IS LEFT "OPEN" FOR 14 DAYS OR MORE, THE AREA SHALL BE FURROWED PARALLEL TO THE CONTOURS.

THE CONTRACTOR SHALL MODIFY EROSION CONTROL MEASURES TO ACCOMMODATE PROJECT PLANNING.

ALL ACCESS TO PROPERTY WILL BE FROM PUBLIC RIGHT-OF-WAYS.

THE CONTRACTOR IS REQUIRED BY STATE AND FEDERAL REGULATIONS TO PREPARE A STORM WATER POLLUTION PREVENTION PLAN AND FILE A "NOTICE OF INTENT" WITH THE UTAH DIVISION OF WATER QUALITY.

MAINTENANCE:

ALL BEST MANAGEMENT PRACTICES (BMP'S) SHOWN ON THIS PLAN MUST BE MAINTAINED AT ALL TIMES UNTIL VEGETATION IS RE-ESTABLISHED.

THE CONTRACTOR'S RESPONSIBILITY SHALL INCLUDE MAKING BI-WEEKLY CHECKS ON ALL EROSION CONTROL MEASURES TO DETERMINE IF REPAIR OR SEDIMENT REMOVAL IS NECESSARY. CHECKS SHALL BE DOCUMENTED AND COPIES OF THE INSPECTIONS KEPT ON SITE.

SEDIMENT DEPOSITS SHOULD BE REMOVED AFTER EACH RAINFALL. THEY MUST BE REMOVED WHEN THE LEVEL OF DEPOSITION REACHES APPROXIMATELY ONE-HALF THE HEIGHT OF BARRIER.

SEDIMENT TRACKED ONTO PAVED ROADS MUST BE CLEANED UP AS SOON AS PRACTICAL, BUT IN NO CASE LATER THAN THE END OF THE NORMAL WORK DAY. THE CLEAN UP WILL INCLUDE SWEEPING OF THE TRACKED MATERIAL, PICKING IT UP, AND DEPOSITING IT TO A CONTAINED AREA.

EXPOSED SLOPES:

ANY EXPOSED SLOPE THAT WILL REMAIN UNTOUCHED FOR LONGER THAN 14 DAYS MUST BE STABILIZED BY ONE OR MORE OF THE FOLLOWING METHODS:

- SPRAYING DISTURBED AREAS WITH A TACKIFIER VIA HYDROSEED
- TRACKING STRAW PERPENDICULAR TO SLOPES
- INSTALLING A LIGHT-WEIGHT, TEMPORARY EROSION CONTROL BLANKET

SCOPE OF WORK:

PROVIDE, INSTALL AND/OR CONSTRUCT THE FOLLOWING PER THE SPECIFICATIONS GIVEN OR REFERENCED, THE DETAILS NOTED, AND/OR AS SHOWN ON THE CONSTRUCTION DRAWINGS:

- HATCHING INDICATES AREAS TO RECEIVE 4" TOPSOIL AND TO BE SEEDED FOR NATURAL VEGETATION*. AREAS RECEIVING SEEDING FOR NATURAL REVEGETATION MUST BE COVERED WITH AN EROSION CONTROL BLANKET AFTER THE FINAL GRADING AND SEEDING ARE FINISHED. INSTALL NORTH AMERICAN GREEN SC-150 BLANKET OR APPROVED EQUAL. FOLLOW MANUFACTURER'S SPECIFICATIONS. INSTALL NORTH AMERICAN GREEN P300 EROSION CONTROL BLANKET ON ALL SLOPES GREATER THAN 1.5:1.
- INSTALL 15' X 50' VEHICLE WASH DOWN AREA WITH 1"-2.5" COARSE AGGREGATE PLACED A MINIMUM 8" THICK. SUPPLY WATER FOR VEHICLE WASH DOWN.
- STABILIZED CONSTRUCTION ENTRANCE FOR SITE INGRESS/EGRESS. IF ALTERNATE ACCESS POINTS ARE APPROVED BY OWNER, ADDITIONAL STABILIZED CONSTRUCTION ENTRANCES WILL BE REQUIRED.
- INSTALL INLET PROTECTION IN FORM OF CONCRETE BLOCKS / FILTER CLOTH / GRAVEL OR SILT SACK AT EXISTING AND PROPOSED CATCH BASINS AS SHOWN ON PLAN.
- INSTALL SILT FENCE ALONG DOWN GRADIENT LIMITS OF DISTURBANCE AS SHOWN ON PLAN.
- INSTALL ORANGE SAFETY FENCING AROUND OUTER LIMITS OF PROJECT PRIOR TO GRADING.

KEYNOTE CALLOUTS

- CONNECT TO EXISTING WATER STUB WITH HOPE TO PVC COUPLING
- 2" WATER SERVICE LATERAL PER DETAIL A/SHEET 5.02 AND APWA STANDARD DRAWING 552 AND SPECIFICATIONS (TYP.)
- 10" 11.25 DI BEND PER APWA PLAN NO. 561,562
- 10" 22.5 DI BEND PER APWA PLAN NO. 561,562
- 10" 45 DI BEND PER APWA PLAN NO. 561,562
- 10" FLANGED DI TEE PER APWA PLAN NO. 561,562
- STUB & CAP PER APWA PLAN NO. 561,562
- 10" MxFL GATE VALVE PER APWA PLAN NO. 561,562
- AIR RELEASE ASSEMBLY PER APWA DRAWING 575 AND SPECIFICATIONS
- FLARED END SECTION PER DETAIL ON SHEET 5.00
- 18" CLIII RCP DRAINAGE PIPE
- RIP-RAP PAD D50=6", 1.5' THICK, 7.5' WIDE, 20' LONG
- 6' X 1' DRAINAGE CHANNEL WITH REVEGETATION MAT
- TYPE H ROUNDED END SECTION & TYPE II ANCHOR PER UDOT BA 4C1 & BA 4C2
- TYPE H ROUNDED END SECTION & TYPE I ANCHOR PER UDOT BA 4C1
- FIRE HYDRANT ASSEMBLY PER APWA PLAN NO. 511
- 3'X3' INLET BOX AND GRATE PER DETAIL SHEET 5.00
- INSTALL "NO PARKING" SIGN PER MUTCD
- INSTALL WOOD POST, POST LENGTH 84", WEATHERED STEEL GUARDRAIL PER UDOT BA 4D1
- INSTALL 4" PVC SLEEVE FOR FUTURE 2" GAS LINE, 30" MIN BURY DEPTH. CAP AND MARK BOTH ENDS.
- FUTURE 2" GAS LINE
- INSTALL 12" PVC SLEEVE FOR FUTURE 8" GAS LINE, 30" MIN BURY DEPTH. CAP AND MARK BOTH ENDS.
- ROCKERY PER IGES ROCKERY CONSTRUCTION GUIDELINES AND DETAILS A-1 AND A-2.
- PRV STATION. SEE OVERALL UTILITY SHEET 1.04 AND DETAIL SHEET 5.03 FOR MORE INFORMATION
- INSTALL 5' RADIUS SWEEP
- INSTALL 4' STORM DRAIN MANHOLE PER APWA PLAN NO. 341

- * SEED MIXTURE FOR REVEGETATION
 - 40% MOUNTAIN BROME (BROMUS MARGINATUS)
 - 25% SLENDER WHEATGRASS (ELYMUS TRACHYCAULUS SSP. TRACHYCAULUS)
 - 5% SHEEP FESCUE (FESTUCA OVINA SPP. DURIUSCULA)
 - 5% ALPINE BLUEGRASS (POA ALPINE)
 - 25% THICKSPIKE WHEATGRASS (ELYMUS LANCEOLATUS SSP. LANCEOLATUS)
- SEEDING RATE IS 40 POUNDS PER ACRE.

NO.	BY	DATE	REVISIONS

The engineer preparing these plans will not be responsible for, or liable for, unauthorized changes to or uses of these plans. Any such changes or uses must be approved by the engineer of these plans.

DATE SUBMITTED: 7/7/2015
 PREPARED FOR: SUMMIT MOUNTAIN HOLDING GROUP, LLC

NV5
 BEYOND ENGINEERING
 5217 SOUTH STATE STREET, SUITE 200
 801743.0900 TEL. 801743.0300 FAX
 MURRAY, UT 84047
 WWW.NV5.COM

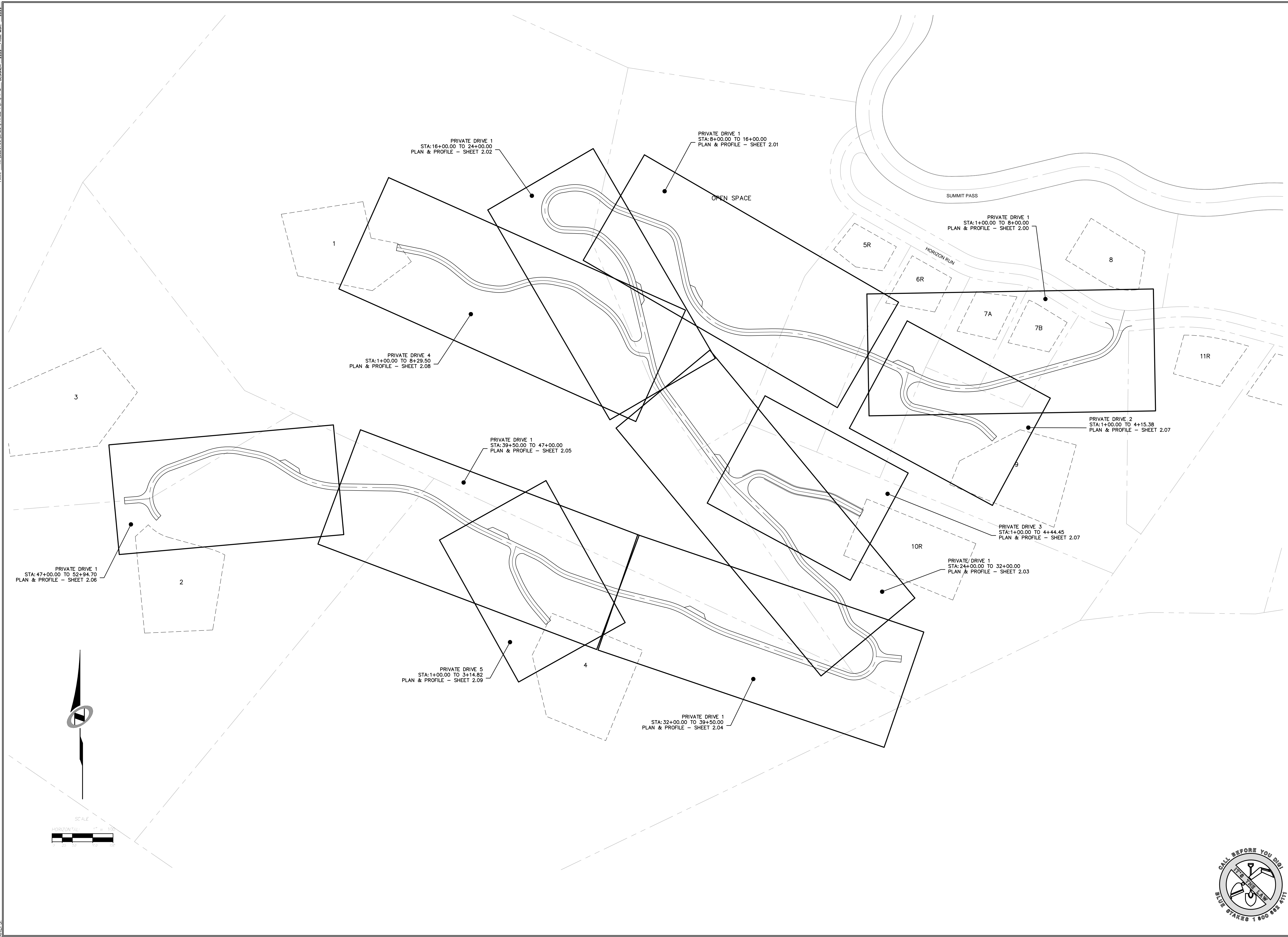
REGISTERED PROFESSIONAL ENGINEER
 No. 7899506
 RYAN W. CATHEY
 7/7/15
 STATE OF UTAH

SHEET NUMBER
1.01
 SCALE
 VERTICAL: 1"= N/A
 HORIZONTAL: 1"= N/A
 JOB NUMBER
SLB0793



DATE: 7/7/15 TIME: 2:23:12 AM DRAWING NAME: P:\02\SLB0793\EDEN PHASE 1E/1F/1G LAYOUT1
 SERVER: NONE PAGE SETUP: LAYOUT1
 PATH: N:\SLB0793\CAD\PHASE 1E/1F/1G DESIGNED: ### PROJ. MGR: ###

BACKMAN XREFS:



NO.	BY	DATE	REVISIONS

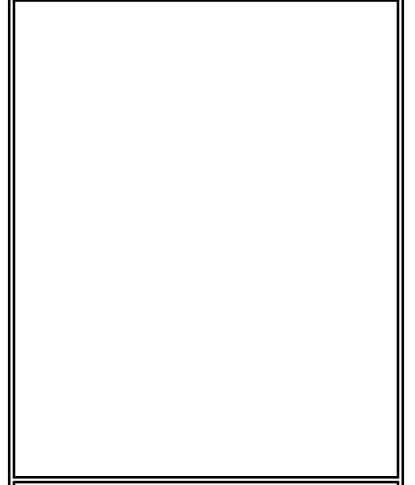
SUMMIT EDEN PHASE 1E/1F/1G
SHEET KEYMAP

PREPARED FOR: SUMMIT MOUNTAIN HOLDING GROUP, LLC

DATE SUBMITTED: 7/7/2015

NV5
 BEYOND ENGINEERING

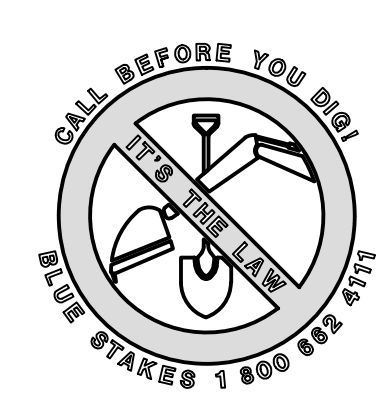
6217 SOUTH STATE STREET, SUITE 200
 801743.0900 TEL. 801743.0900 FAX
 MURRAY, UT 84107
 WWW.NV5.COM



SHEET NUMBER
1.02

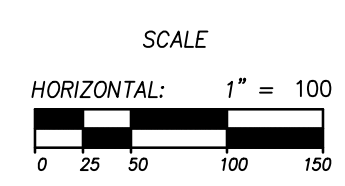
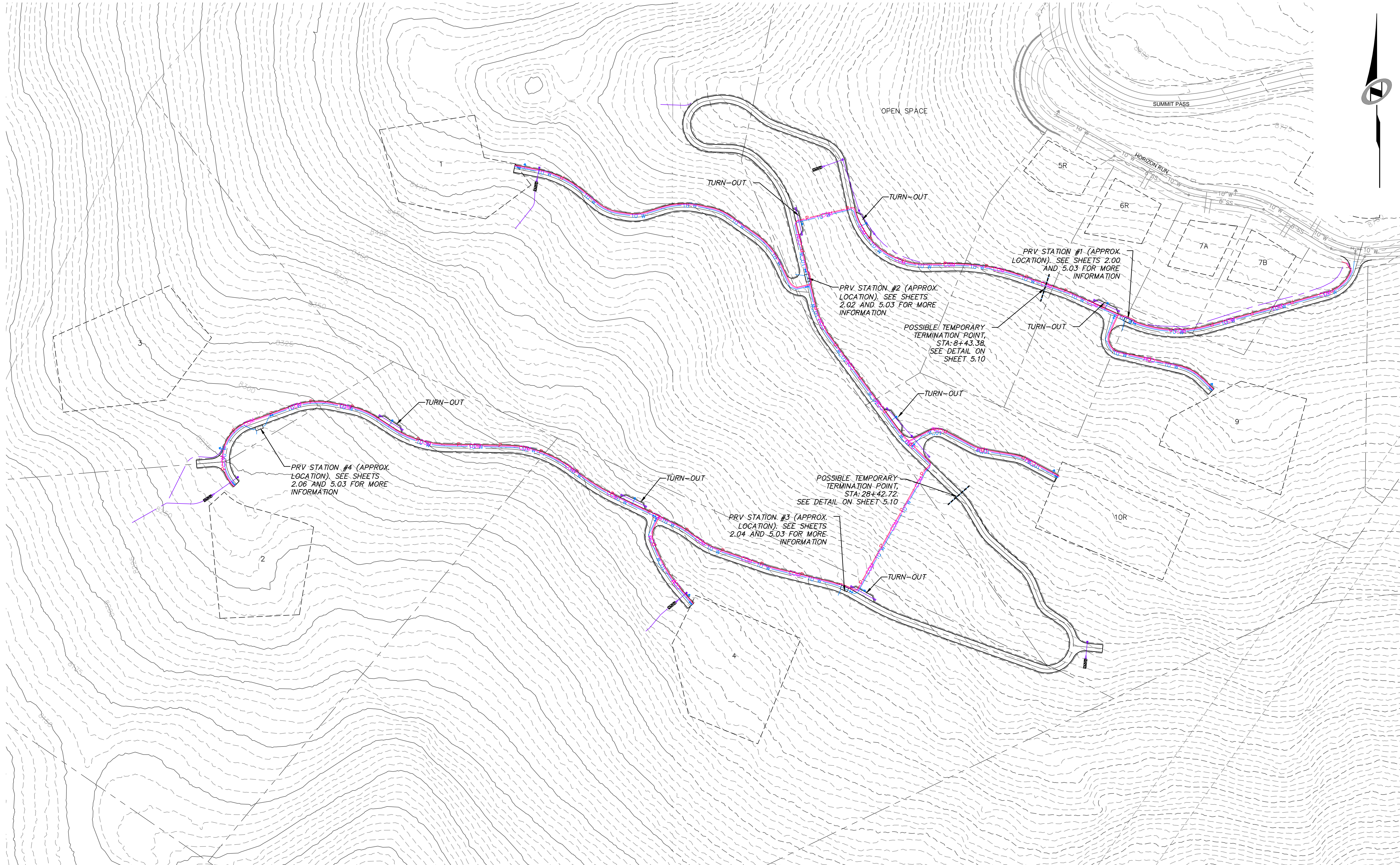
SCALE
 VERTICAL: 1" = 100'
 HORIZONTAL: 1" = NA

JOB NUMBER
SLB0793



The engineer preparing these plans will not be responsible for, or liable for, unauthorized changes to or uses of these plans. Any such changes or uses must be approved by the preparer of these plans.

CAUTION



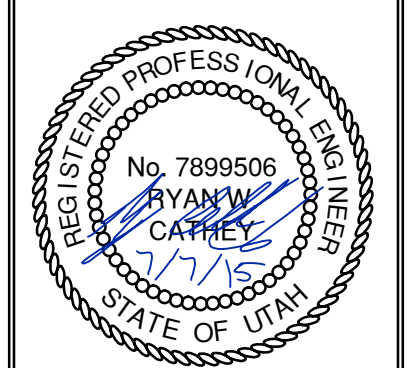
NO.	BY	DATE	REVISIONS

SUMMIT EDEN PHASE 1E/1F/1G
OVERALL UTILITY PLAN

PREPARED FOR: SUMMIT MOUNTAIN HOLDING GROUP, LLC

DATE SUBMITTED: 7/7/2015

NV5
 BEYOND ENGINEERING
 5217 SOUTH STATE STREET, SUITE 200
 801743.0000 TEL. 801743.0000 FAX
 MURRAY, UT 84107
 WWW.NV5.COM



SHEET NUMBER
1.03

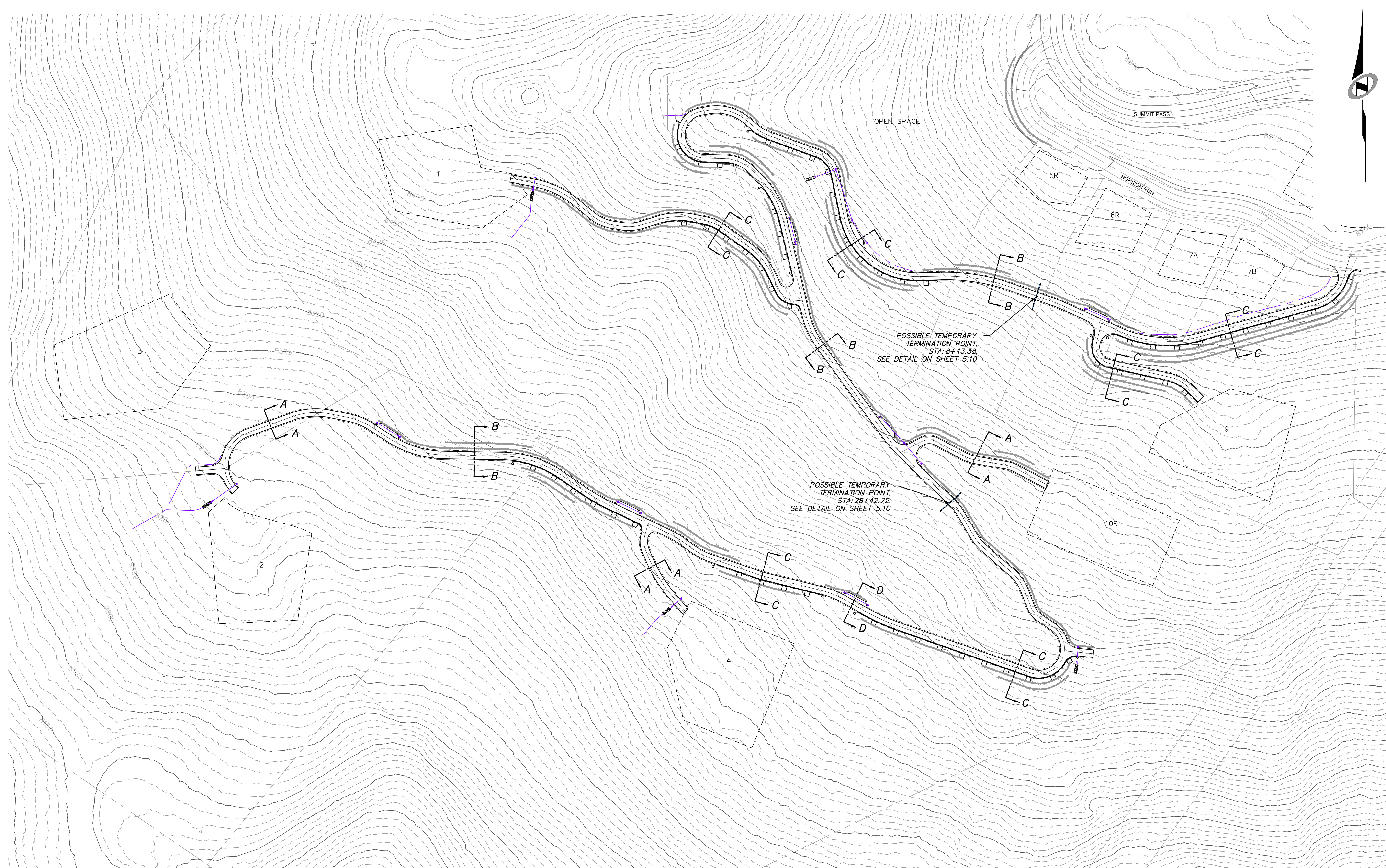
SCALE
 VERTICAL: 1" = NA
 HORIZONTAL: 1" = 100

JOB NUMBER
SLB0793

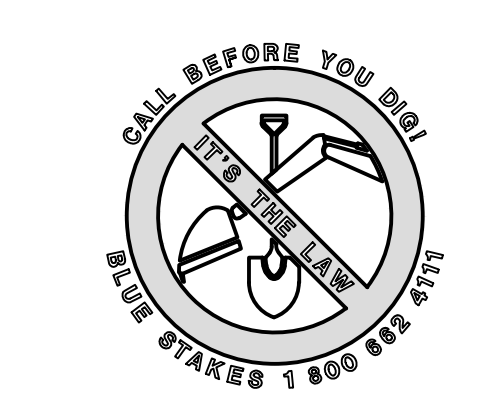
The engineer preparing these plans will not be responsible for, or liable for, unauthorized changes to or uses of these plans, and must be approved by the preparer of these plans.

CAUTION

DATE: 7/7/15 TIME: 2:24:21 AM DRAWING NAME: P10GRD.DWG
 SERVER: NONE PAGE SETUP: LAYOUT1
 PATH: N:\SLB0793\CAD\PHASE 1\VP1-P1-E DESIGNED: ### PROJ. MGR: ###



SCALE
 HORIZONTAL: 1" = 100'
 VERTICAL: 1" = NA



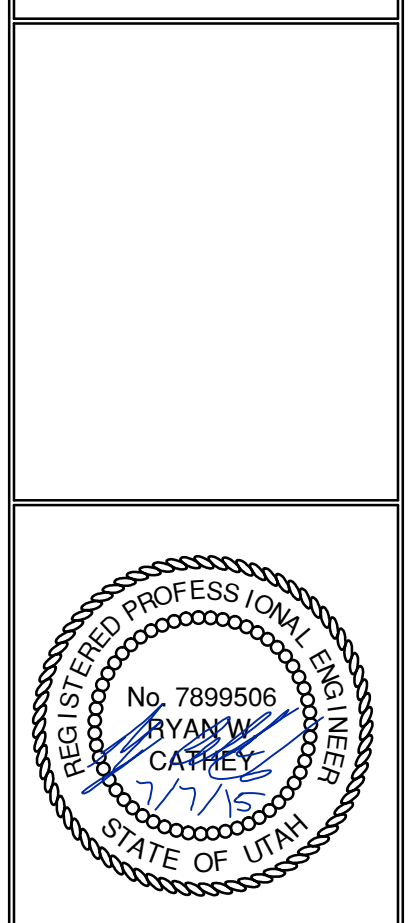
NO.	BY	DATE	REVISIONS

SUMMIT EDEN PHASE 1E/1F/1G
OVERALL GRADING PLAN

PREPARED FOR: SUMMIT MOUNTAIN HOLDING GROUP, LLC

DATE SUBMITTED: 7/7/2015

NV5
 BEYOND ENGINEERING
 5217 SOUTH STATE STREET, SUITE 200
 801743.0000 TEL. 801743.0000 FAX
 MURRAY, UT 84107
 WWW.NV5.COM



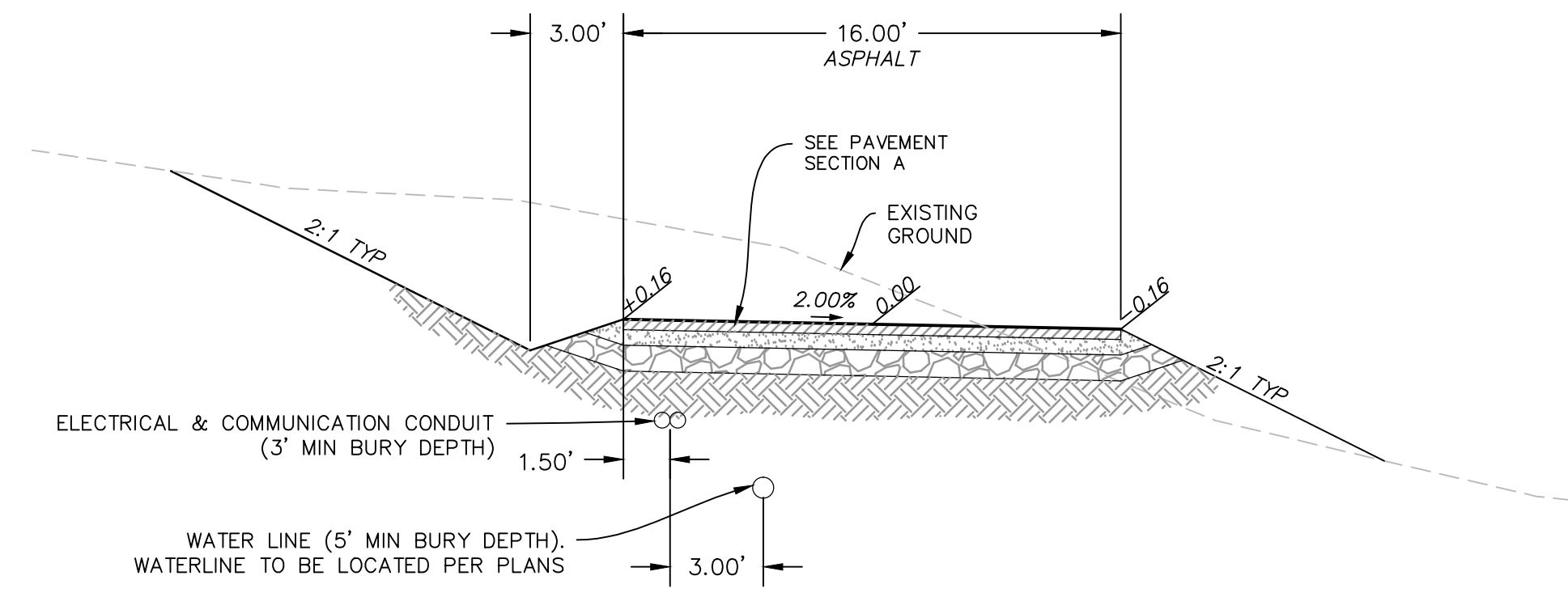
SHEET NUMBER
1.04

SCALE
 VERTICAL: 1" = NA
 HORIZONTAL: 1" = 100'

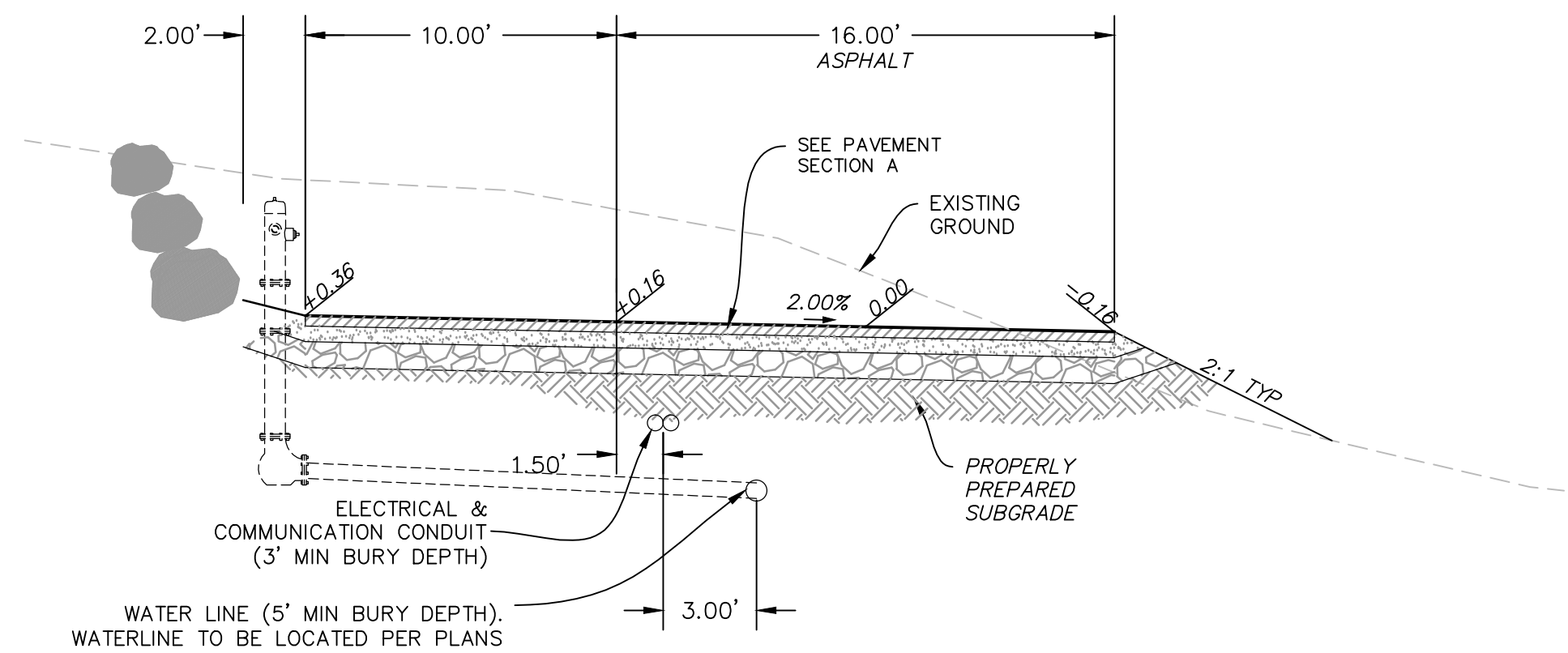
JOB NUMBER
SLB0793

BACKMAN
 XREFS:

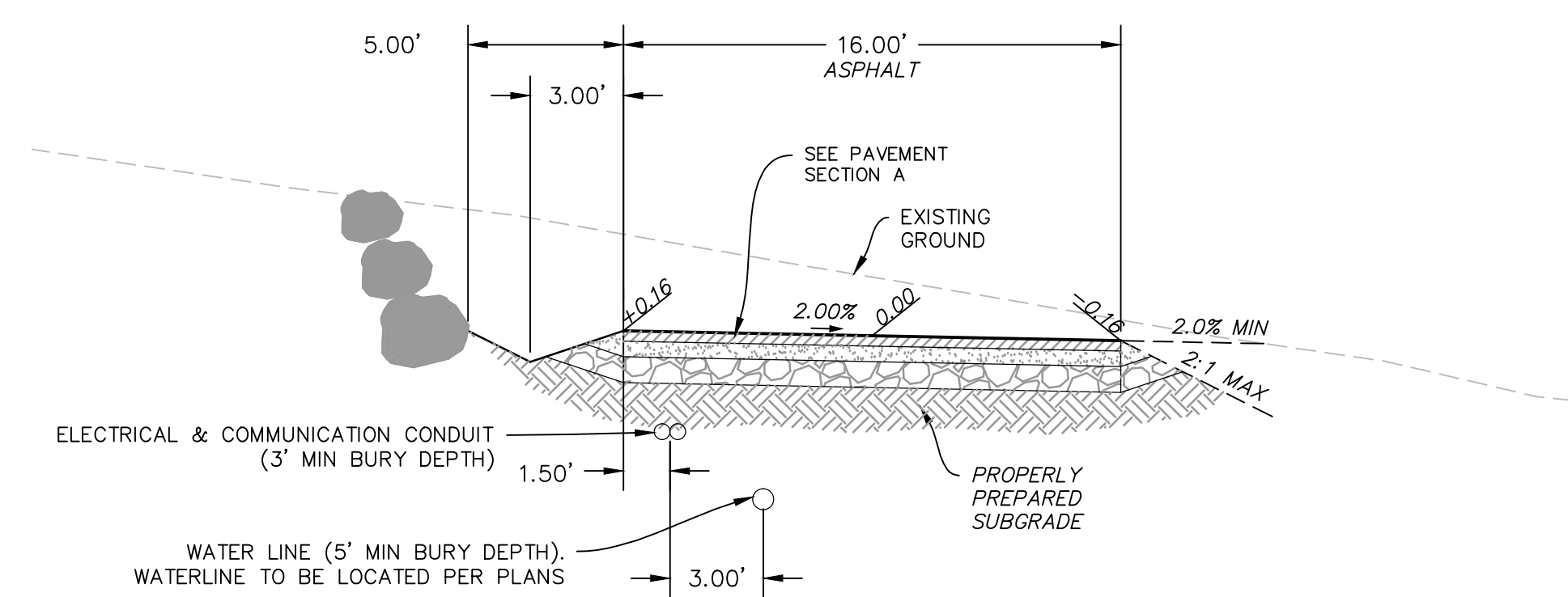
The engineer preparing these plans will not be responsible for, or liable for, unauthorized changes to or uses of these plans, and must be approved by the preparer of these plans.
 CAUTION



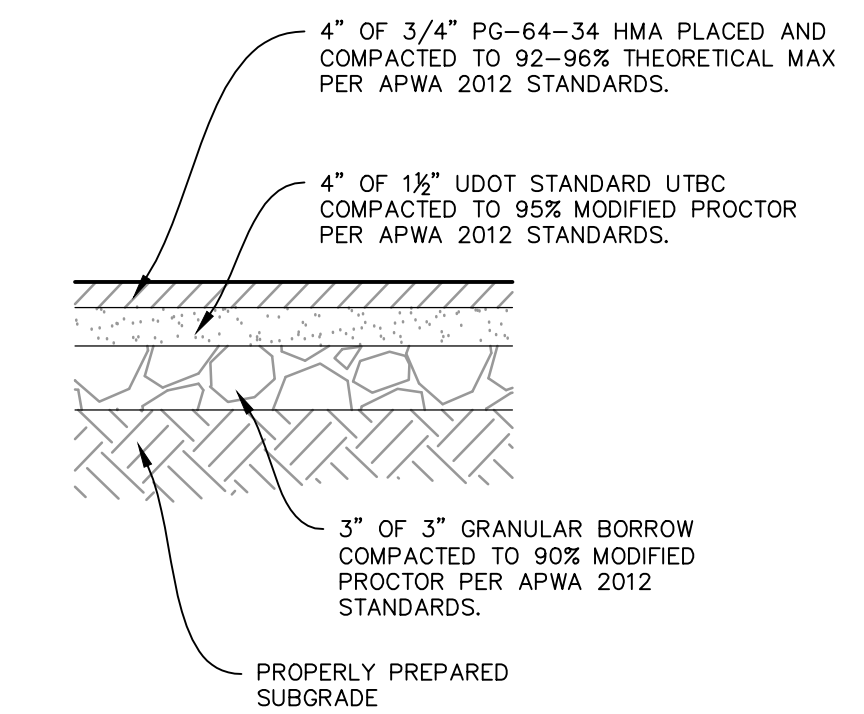
TYPICAL DRIVEWAY SECTION A-A
(20' DRIVE EASEMENT)



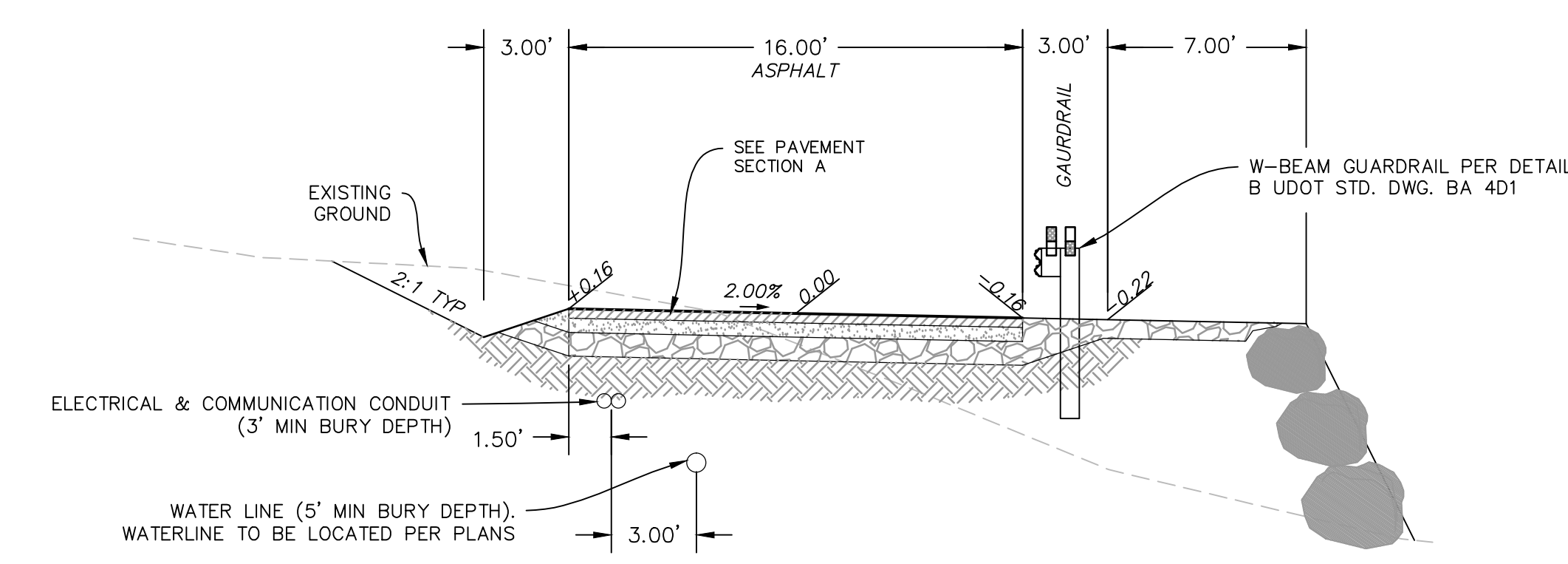
TYPICAL DRIVEWAY SECTION W/TURNOUT D-D
(20' DRIVE EASEMENT)



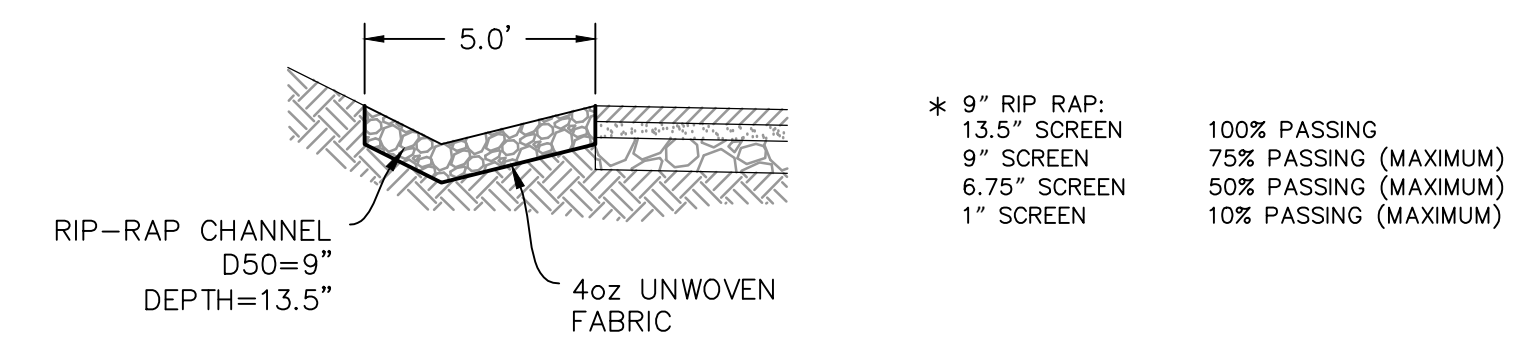
TYPICAL DRIVEWAY SECTION W/GUARDRAIL B-B
(20' DRIVE EASEMENT)



PAVEMENT SECTION A



TYPICAL DRIVEWAY SECTION W/ROCK WALLS C-C
(20' DRIVE EASEMENT)



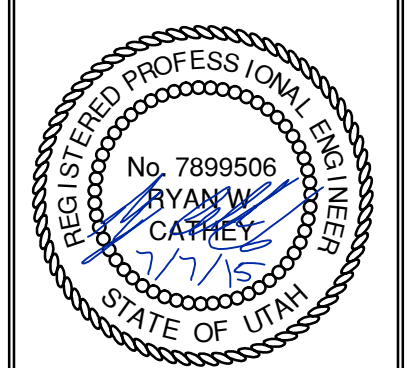
TYPICAL ROADSIDE CHANNEL

NO.	BY	DATE	REVISIONS

SUMMIT EDEN PHASE 1E/1F/1G
 ROADWAY TYPICAL SECTIONS
 PREPARED FOR: SUMMIT MOUNTAIN HOLDING GROUP, LLC
 DATE SUBMITTED: 7/7/2015

NV5
 BEYOND ENGINEERING
 5217 SOUTH STATE STREET, SUITE 200
 MURRAY, UT 84107
 801.743.0300 TEL 801.743.0300 FAX
 WWW.NV5.COM

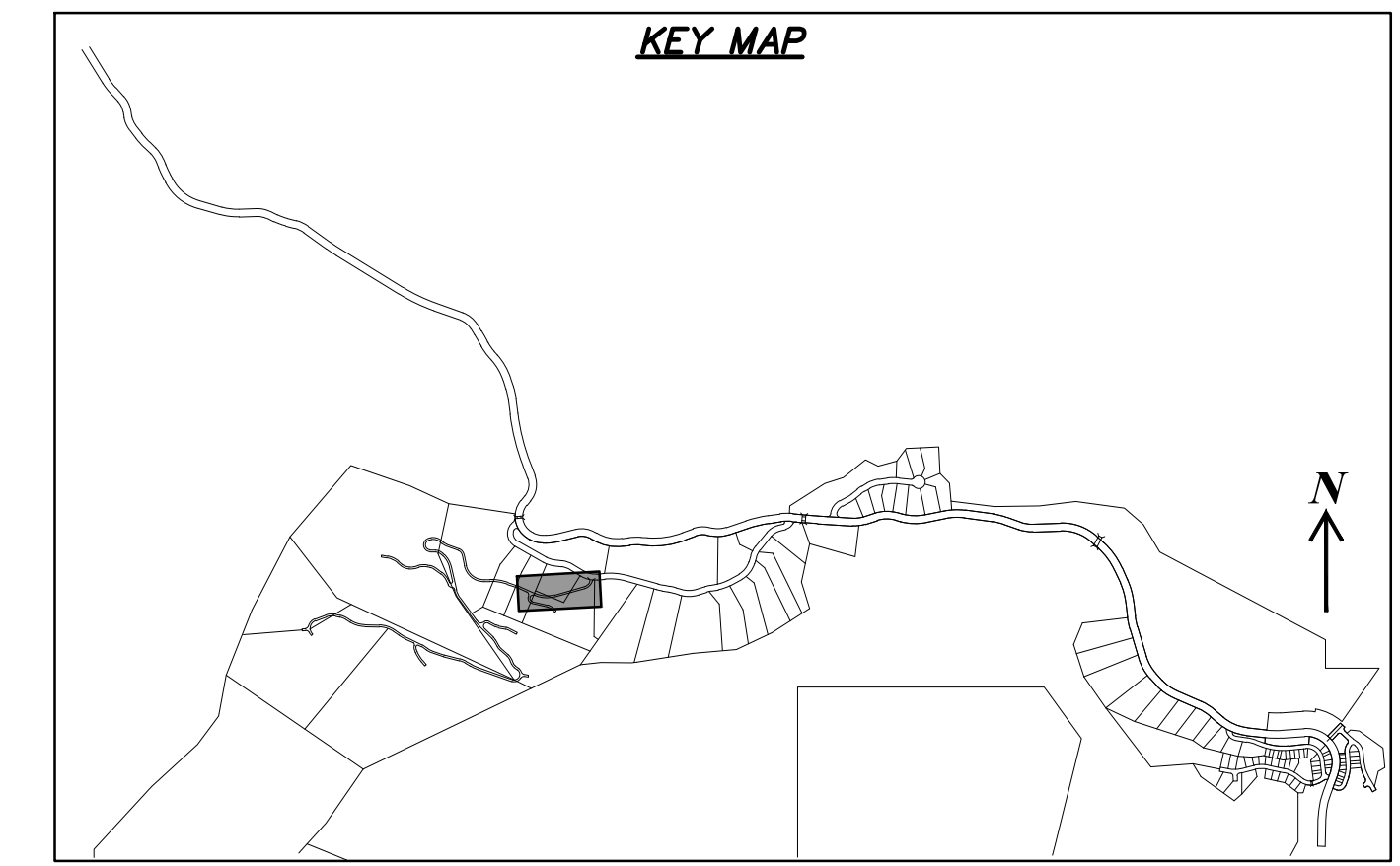
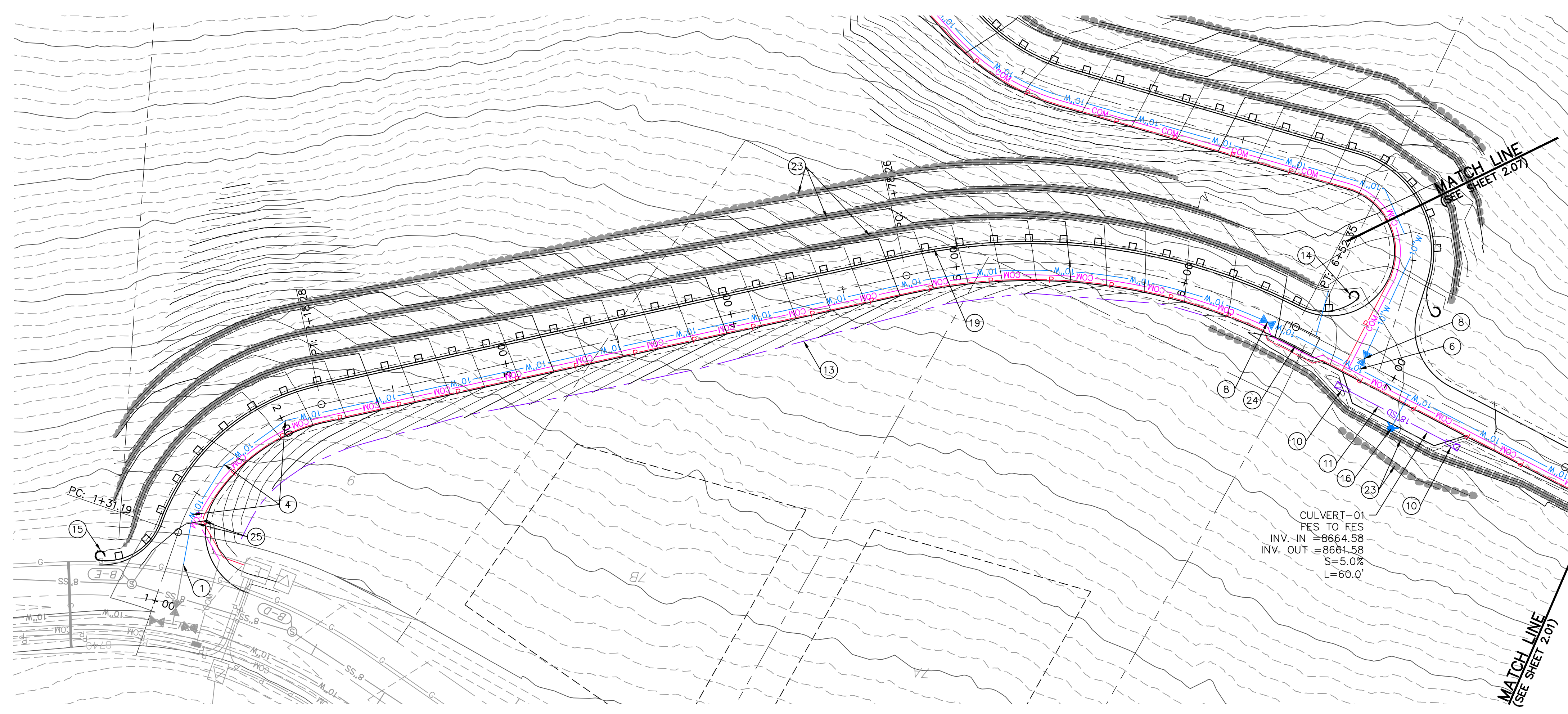
* 9" RIP RAP- 100% PASSING
 13.5" SCREEN 75% PASSING (MAXIMUM)
 9" SCREEN 50% PASSING (MAXIMUM)
 6.75" SCREEN 10% PASSING (MAXIMUM)
 1" SCREEN



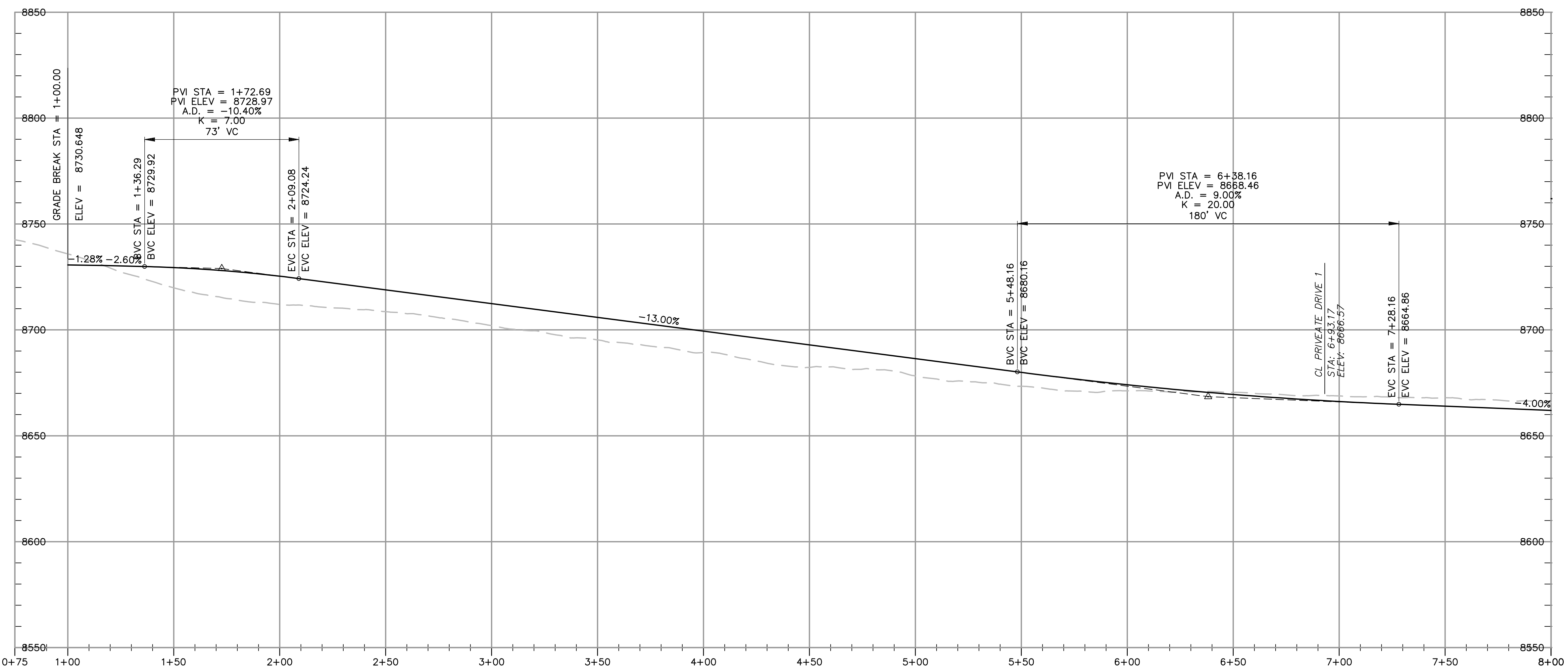
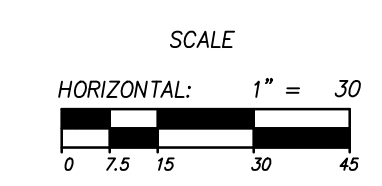
SHEET NUMBER
1.05
 SCALE
 VERTICAL: 1" = N/A
 HORIZONTAL: 1" = N/A
 JOB NUMBER
SLB0793



DATE: 7/7/15 TIME: 7:26:04 AM DRAWING NAME: P2000P1.DWG
 SERVER: NONE PAGE SETUP: LAYOUT: 1
 PATH: N:\SLB0793\CAD\PHASE 1\DWG\1-E DESIGNED: TB PROJ. MGR: RE



PRIVATE DRIVE 1
 STA: 1+00.00 TO 9+00.00



NO.	BY	DATE	REVISIONS

CAUTION
 The engineer preparing these plans will not be responsible for, or liable for, unauthorized changes to or uses of these plans. Any such changes or uses must be approved by the preparer of these plans.

SUMMIT EDEN PHASE 1E/1F/1G
PRIVATE DRIVE 1
PLAN AND PROFILE

PREPARED FOR: SUMMIT MOUNTAIN HOLDING GROUP, LLC

DATE SUBMITTED: 7/7/2015

NV5
 BEYOND ENGINEERING

5217 SOUTH STATE STREET, SUITE 200
 801743.000 TEL. 801743.000 FAX
 MURRAY, UT 84107
 WWW.NV5.COM

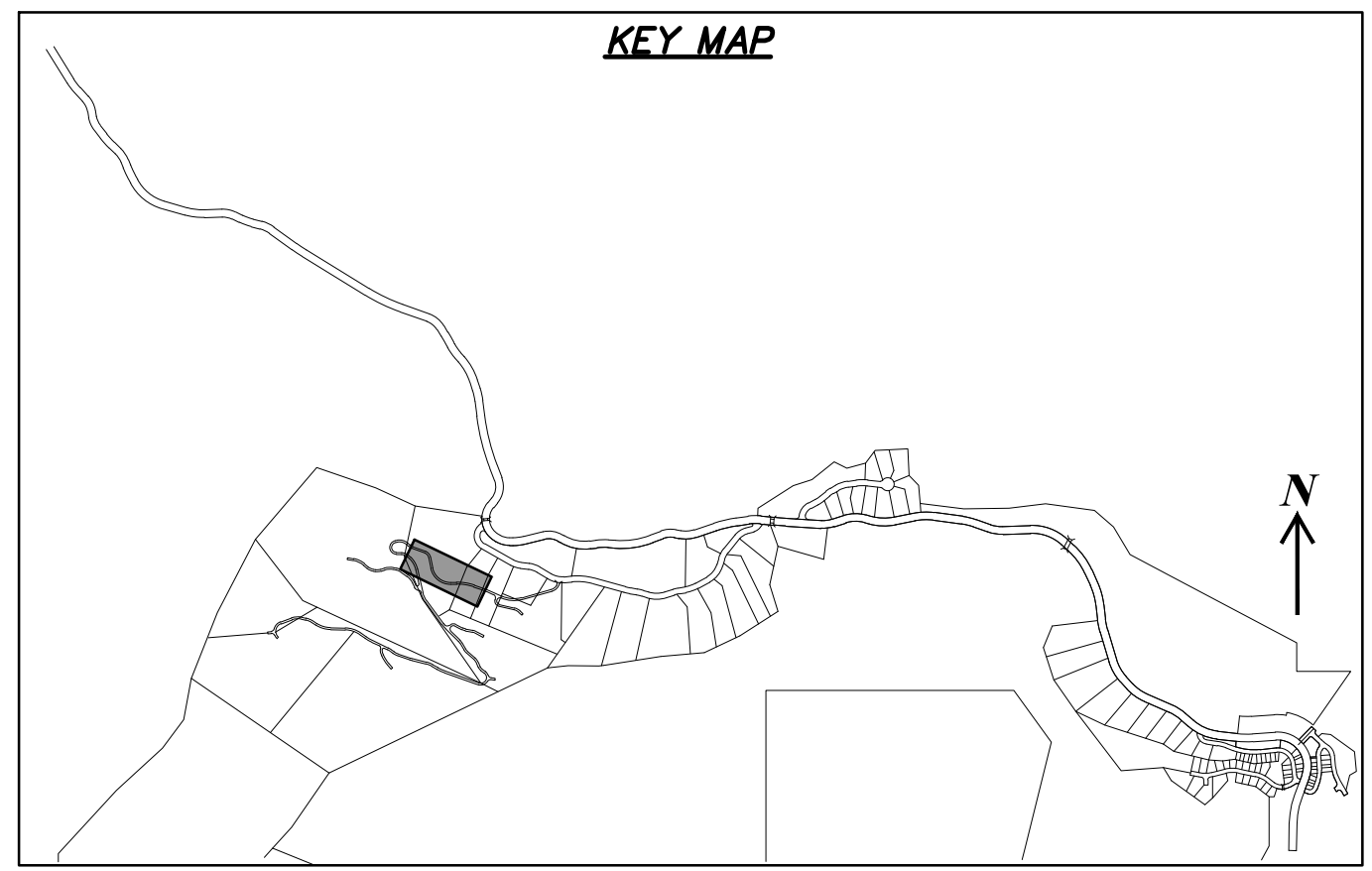
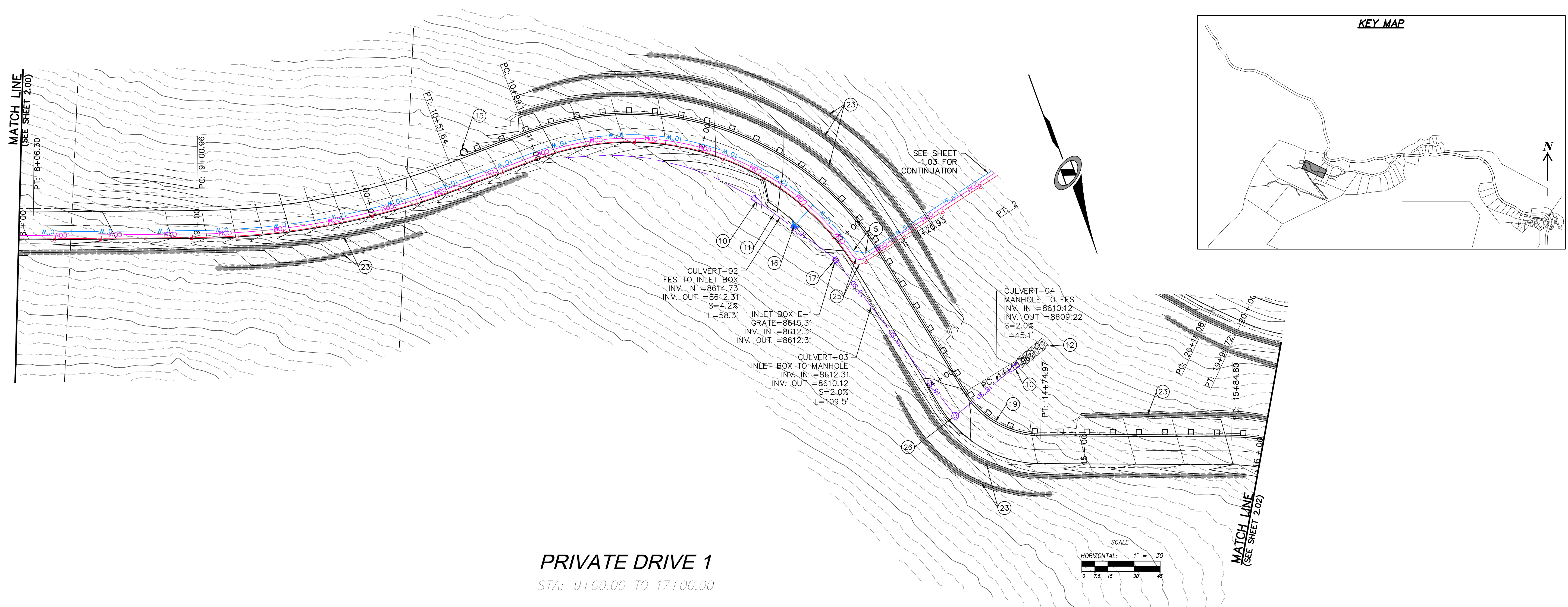
SHEET NUMBER
2.00

SCALE
 VERTICAL: 1" = 30'
 HORIZONTAL: 1" = 30'

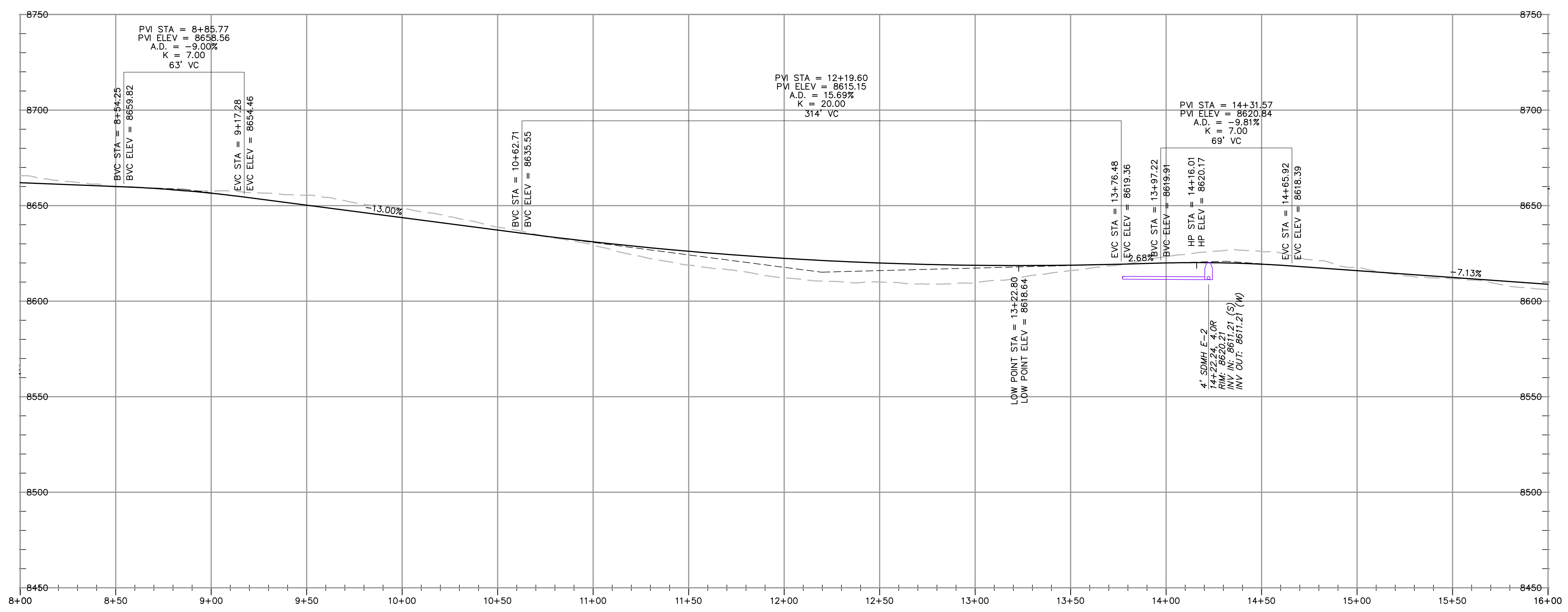
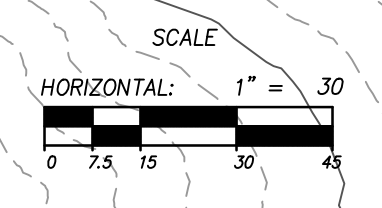
JOB NUMBER
SLB0793



BACKMAN XREFS:



PRIVATE DRIVE 1
 STA: 9+00.00 TO 17+00.00



NO.	DATE	BY	REVISIONS

SUMMIT EDEN PHASE 1E/1F/1G
PRIVATE DRIVE 1
PLAN AND PROFILE

PREPARED FOR: SUMMIT MOUNTAIN HOLDING GROUP, LLC

DATE SUBMITTED: 7/7/2015

NV5
 BEYOND ENGINEERING

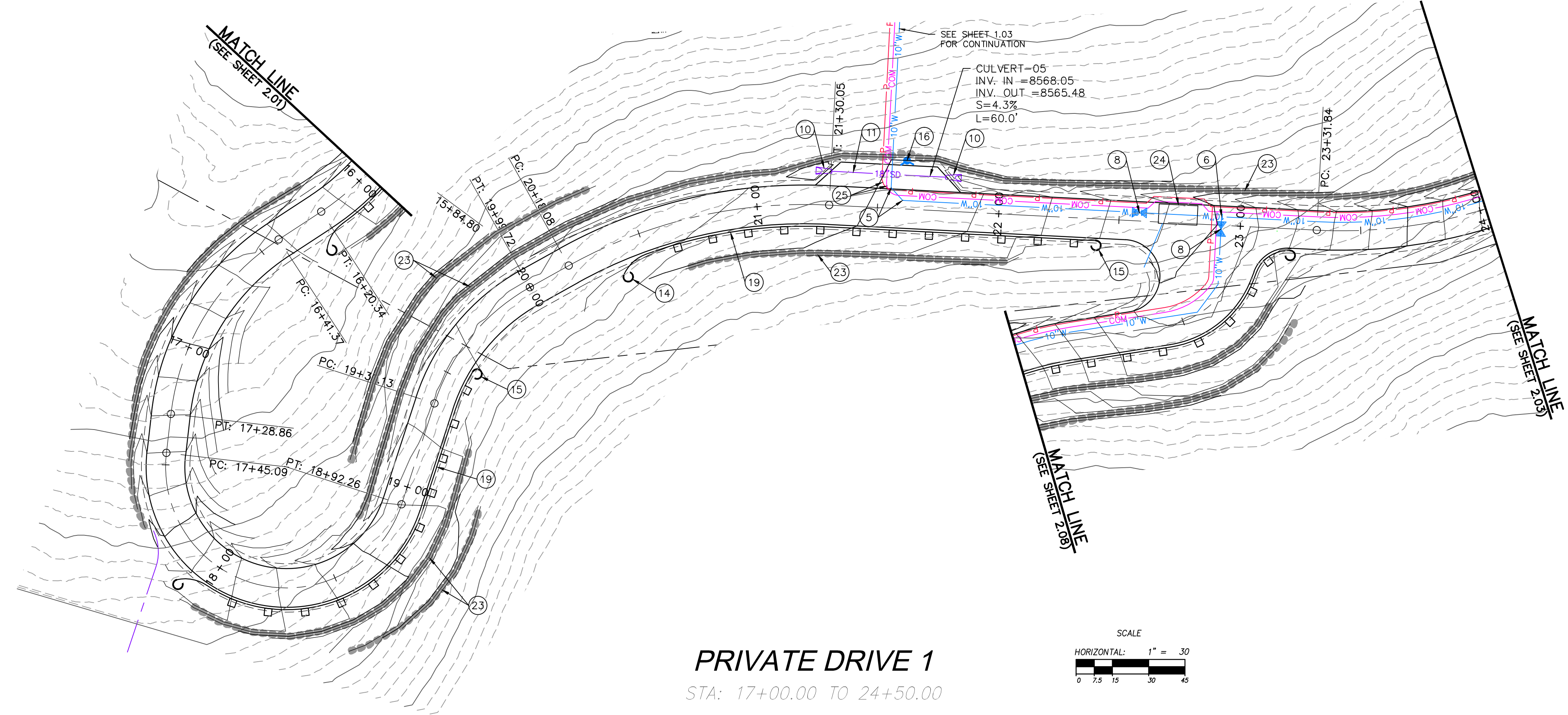
6217 SOUTH STATE STREET, SUITE 200
 MURRAY, UT 84107
 801.743.0300 TEL. 801.743.0300 FAX
 WWW.NV5.COM

SHEET NUMBER
2.01

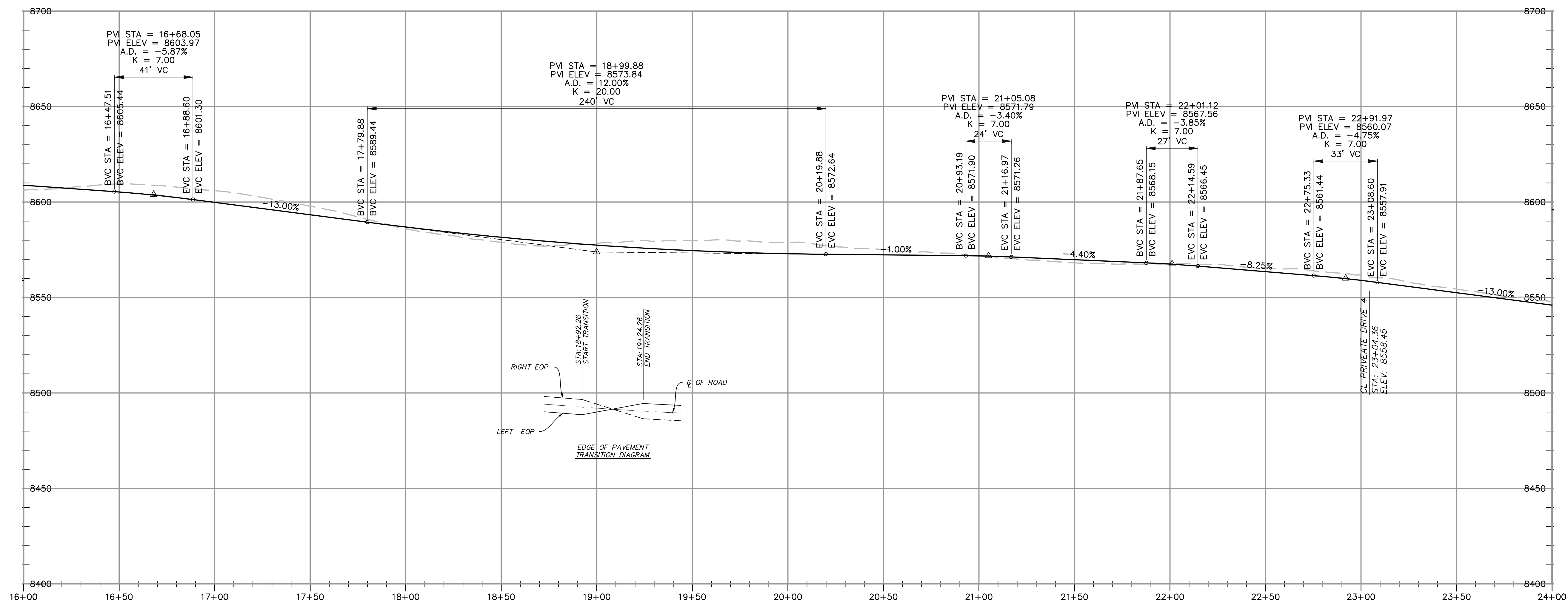
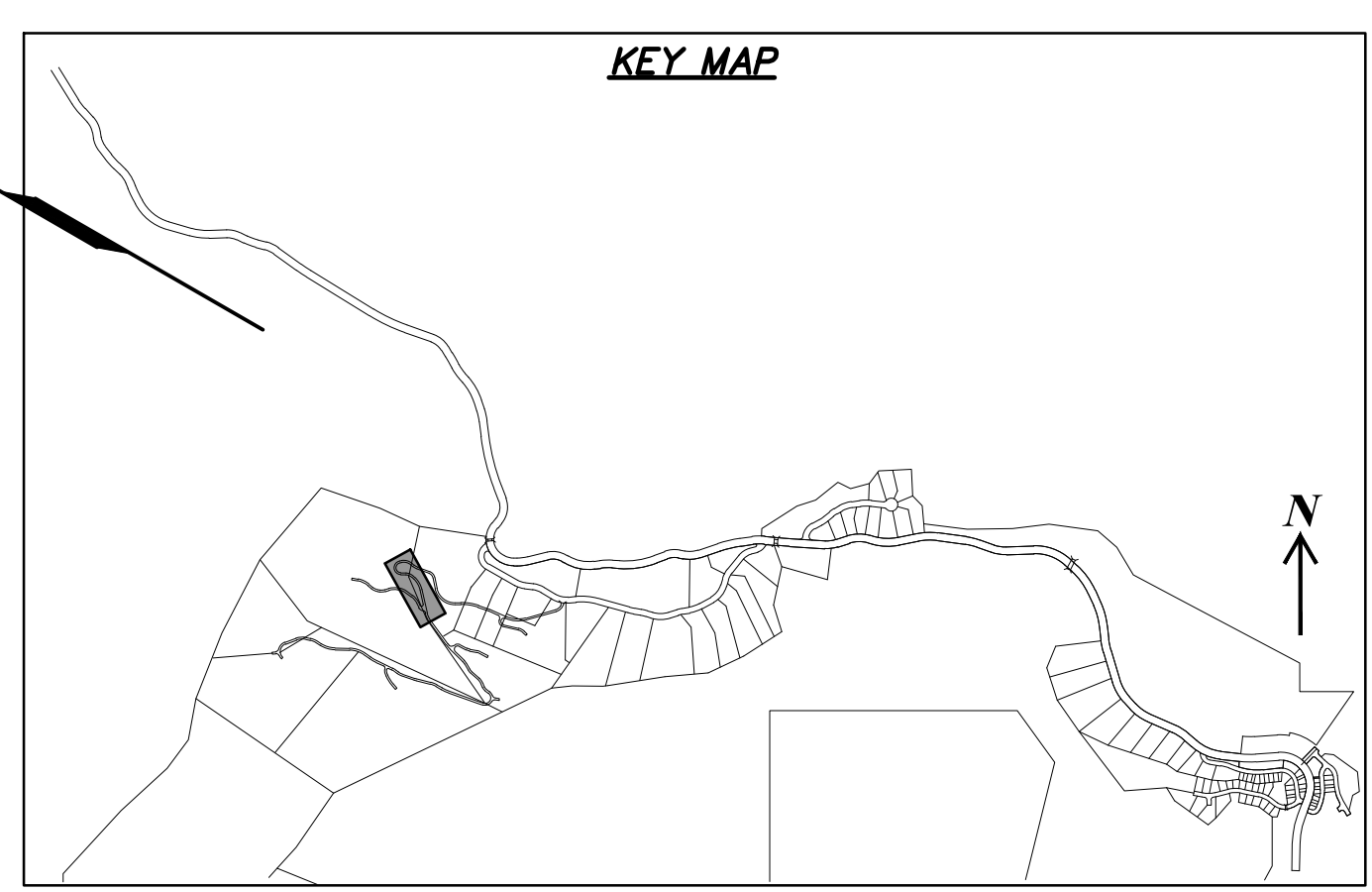
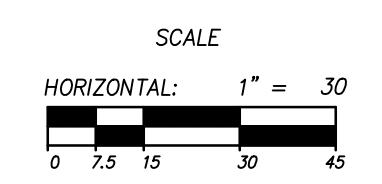
SCALE
 VERTICAL: 1" = 30'
 HORIZONTAL: 1" = 30'

JOB NUMBER
SLB0793





PRIVATE DRIVE 1
 STA: 17+00.00 TO 24+50.00



NO.	BY	DATE	REVISIONS

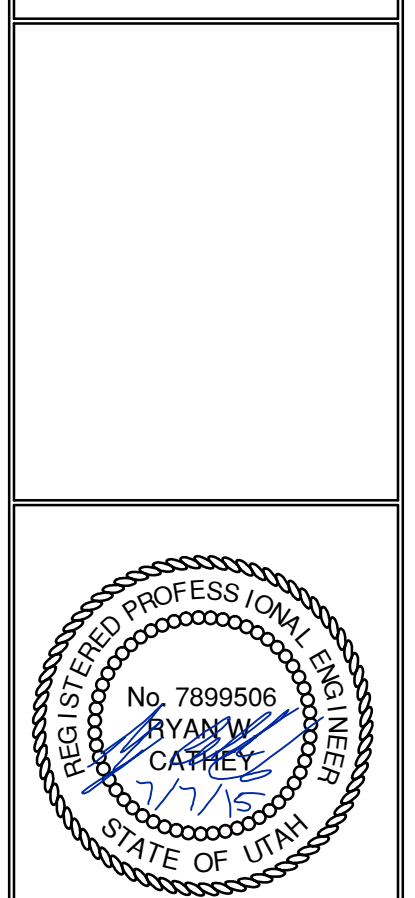
SUMMIT EDEN PHASE 1E/1F/1G
PRIVATE DRIVE 1
PLAN AND PROFILE

PREPARED FOR: SUMMIT MOUNTAIN HOLDING GROUP, LLC

DATE SUBMITTED: 7/7/2015

NV5
 BEYOND ENGINEERING

6217 SOUTH STATE STREET, SUITE 200
 MURRAY, UT 84107
 WWW.NV5.COM

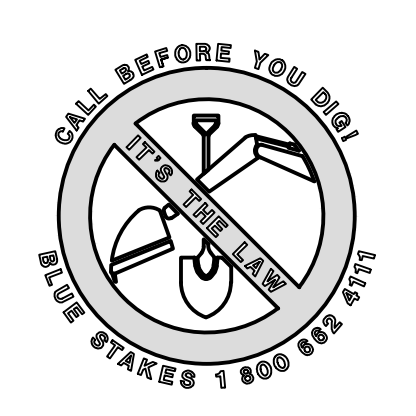
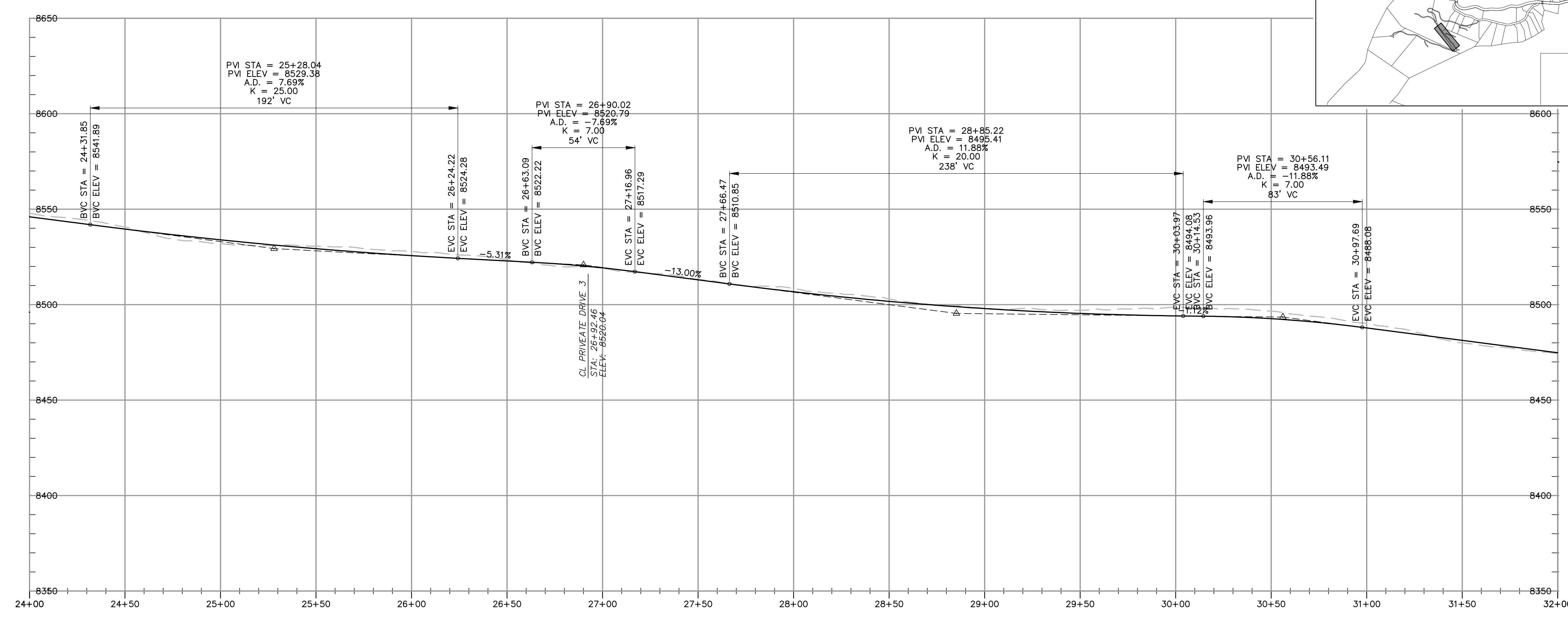
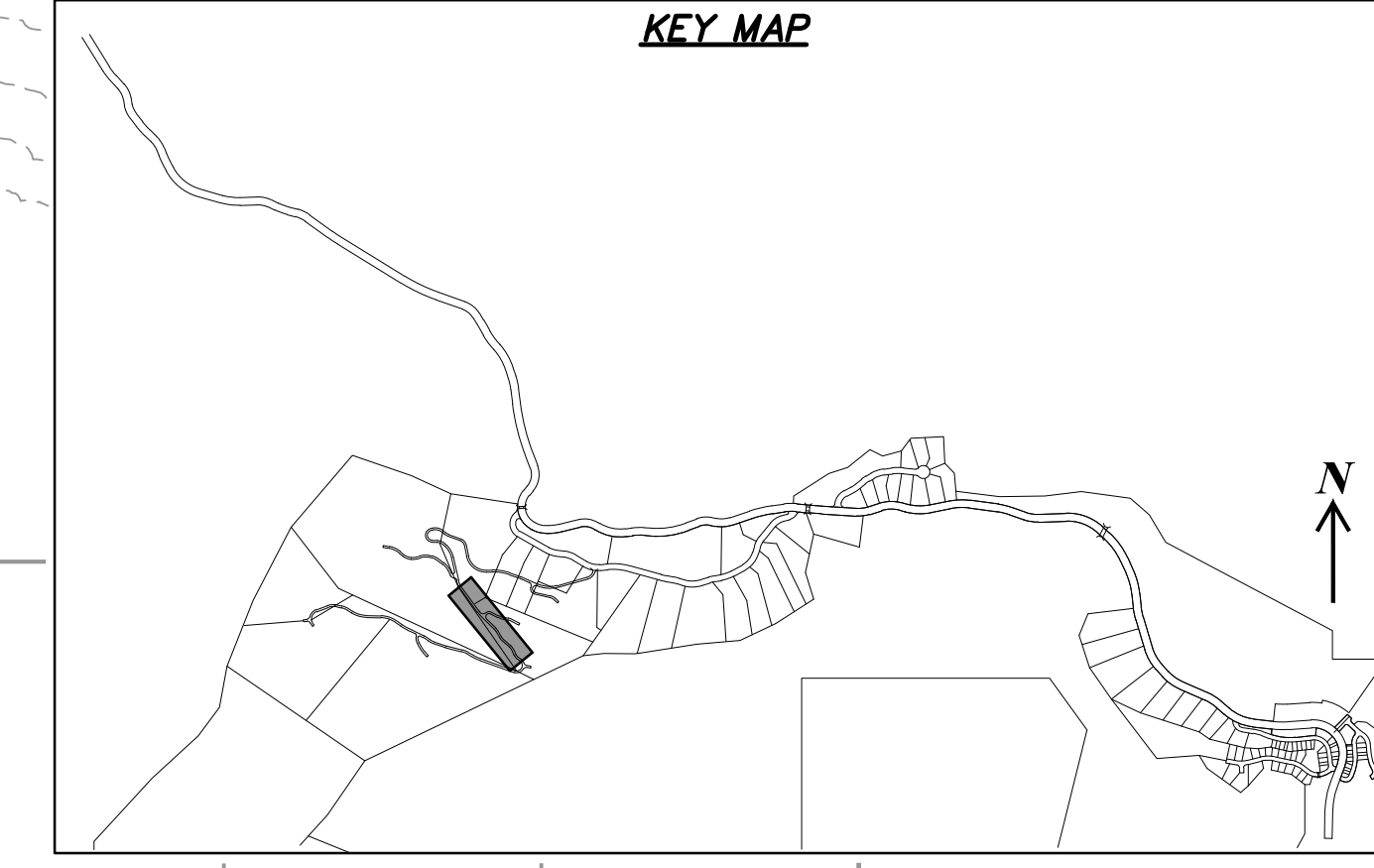
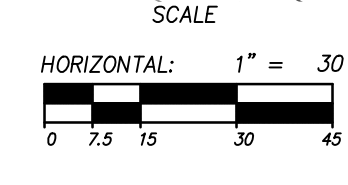
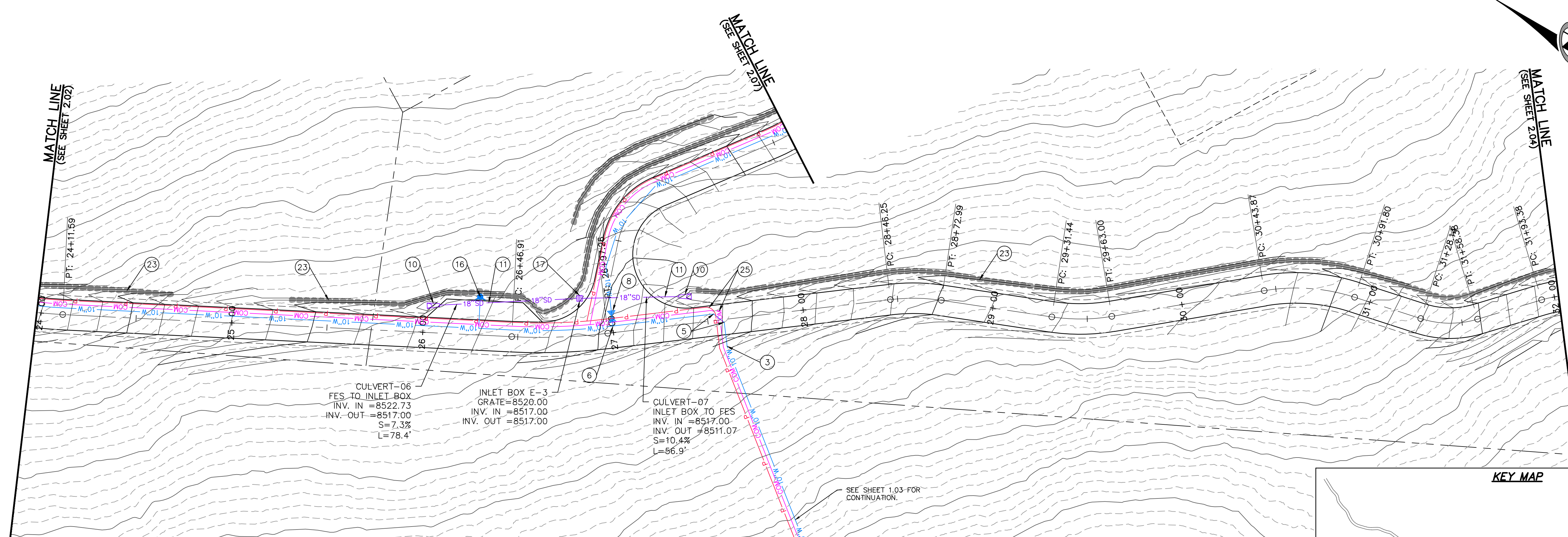


SHEET NUMBER
2.02

SCALE
 VERTICAL: 1" = 30'
 HORIZONTAL: 1" = 30'

JOB NUMBER
SLB0793



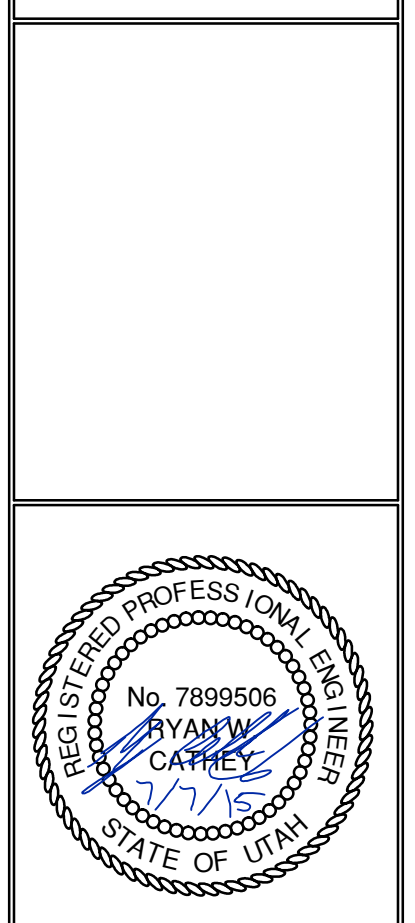


NO.	BY	DATE	REVISIONS

SUMMIT EDEN PHASE 1E/1F/1G
PRIVATE DRIVE 1
PLAN AND PROFILE

PREPARED FOR: SUMMIT MOUNTAIN HOLDING GROUP, LLC
 DATE SUBMITTED: 7/7/2015

NV5
 BEYOND ENGINEERING
 627 SOUTH STATE STREET, SUITE 200
 MURRAY, UT 84107
 WWW.NV5.COM

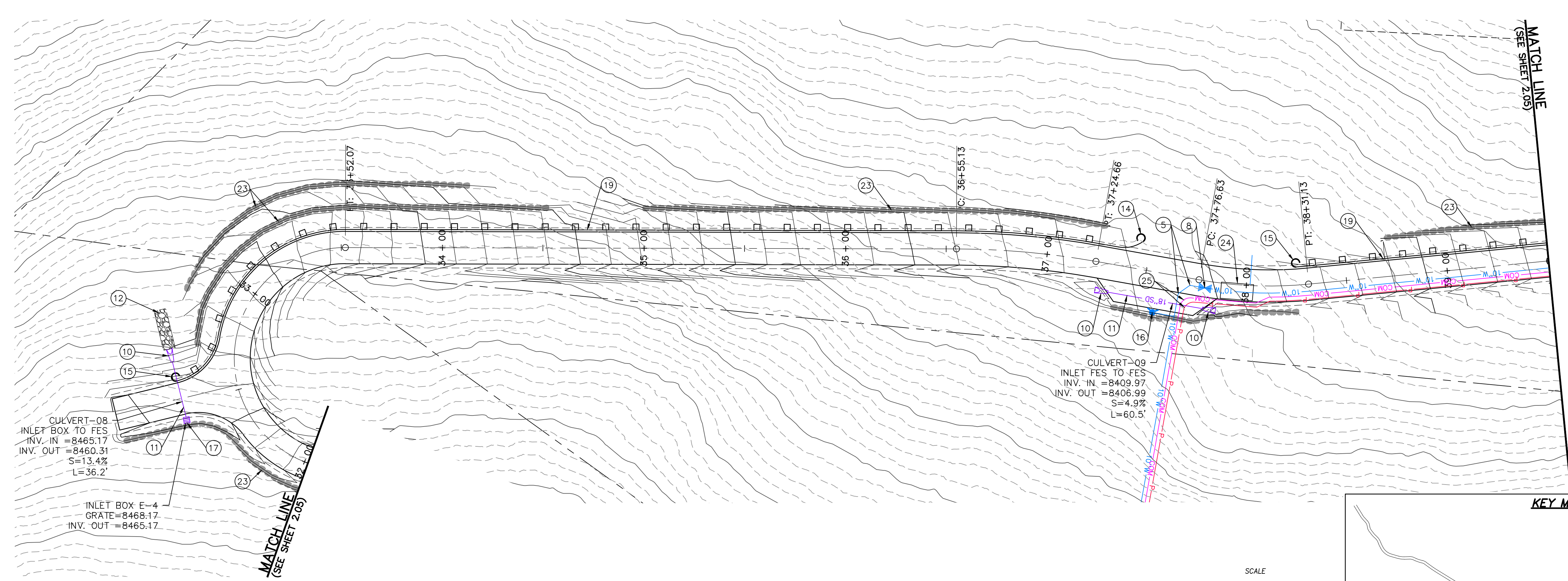


SHEET NUMBER
2.03

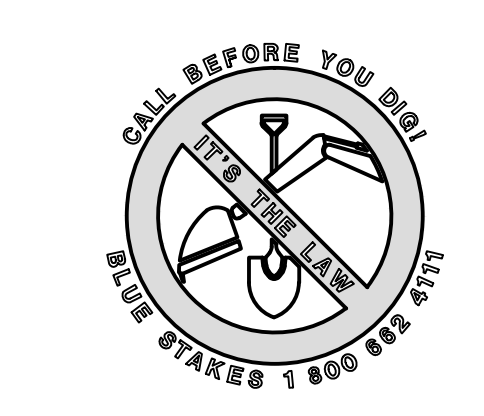
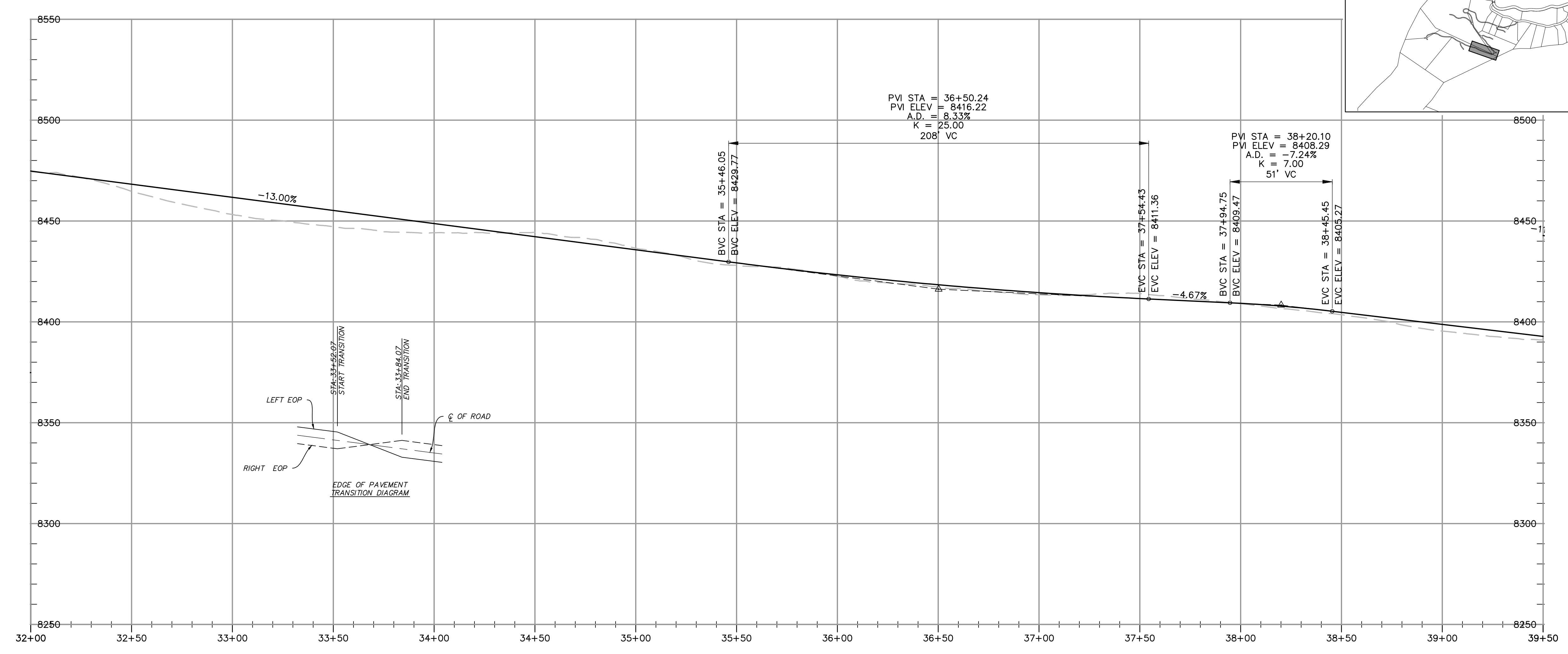
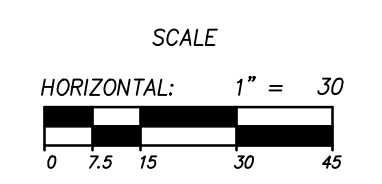
SCALE
 VERTICAL: 1" = 30'
 HORIZONTAL: 1" = 30'

JOB NUMBER
SLB0793

CAUTION
 The engineer preparing these plans will not be responsible for, or liable for, unauthorized changes to or uses of these plans, and must be approved by the preparer of these plans.



PRIVATE DRIVE 1
 STA: 32+50.00 TO 40+00.00



NO.	BY	DATE	REVISIONS

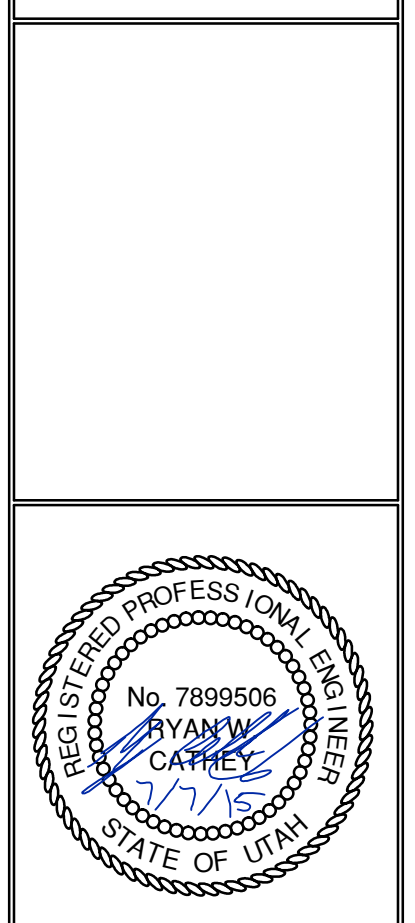
SUMMIT EDEN PHASE 1E/1F/1G
PRIVATE DRIVE 1
PLAN AND PROFILE

PREPARED FOR: SUMMIT MOUNTAIN HOLDING GROUP, LLC

DATE SUBMITTED: 7/7/2015

NV5
 BEYOND ENGINEERING

5217 SOUTH STATE STREET, SUITE 200
 801743.0000 TEL. 801743.0000 FAX
 MURRAY, UT 84107
 WWW.NV5.COM



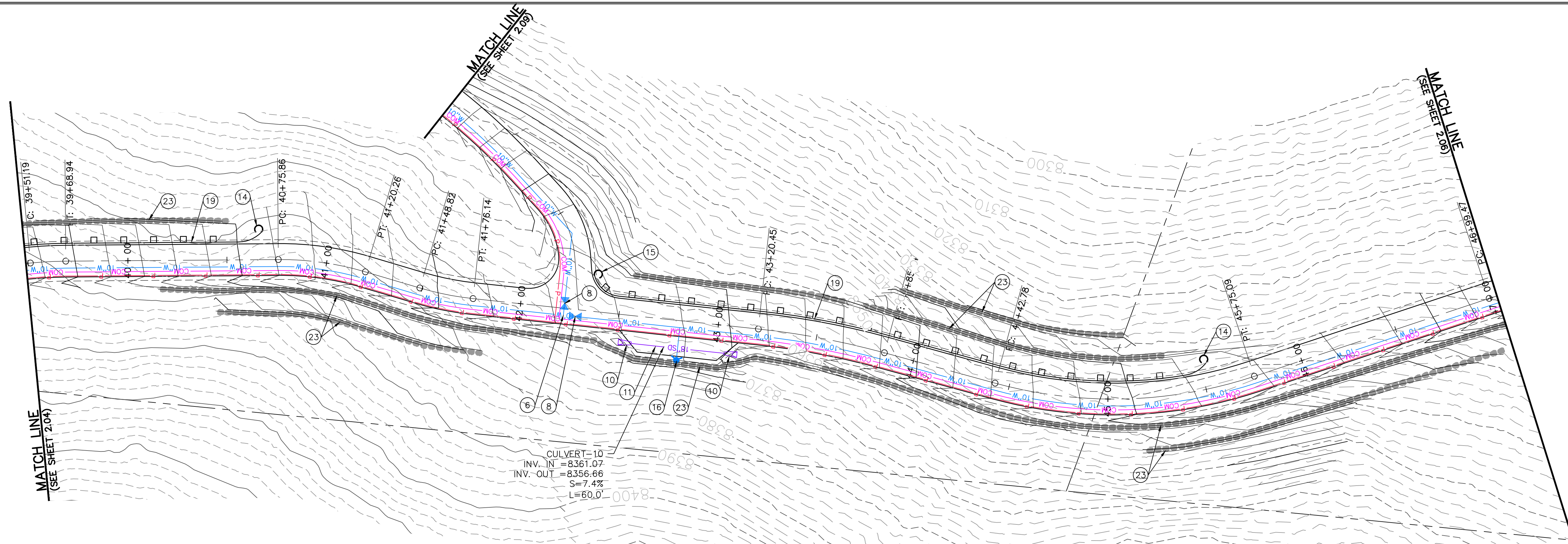
SHEET NUMBER
2.04

SCALE
 VERTICAL: 1" = 30'
 HORIZONTAL: 1" = 30'

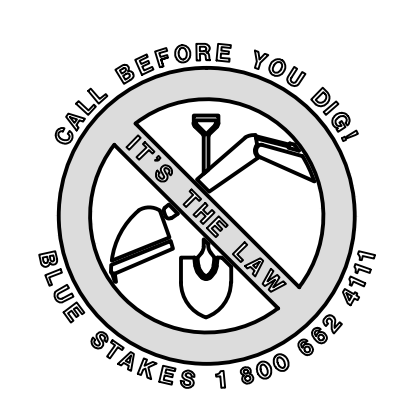
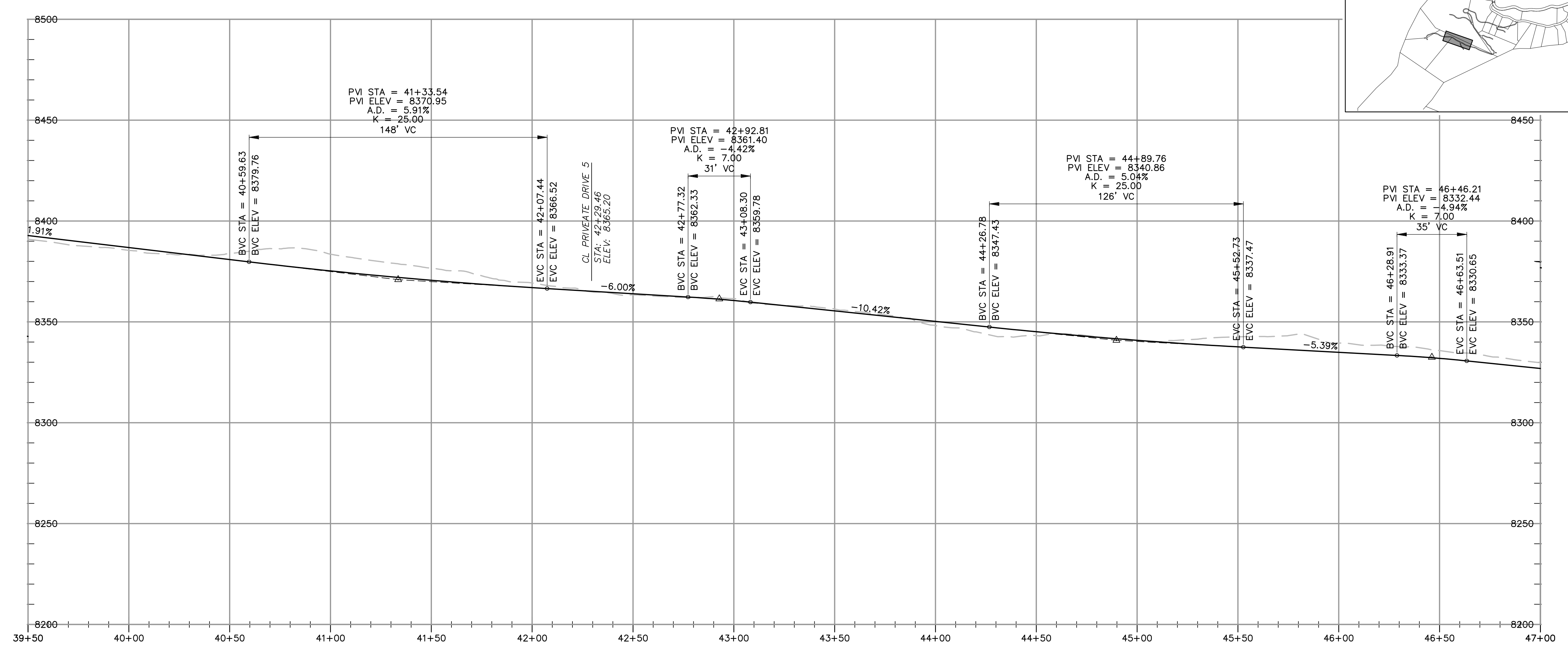
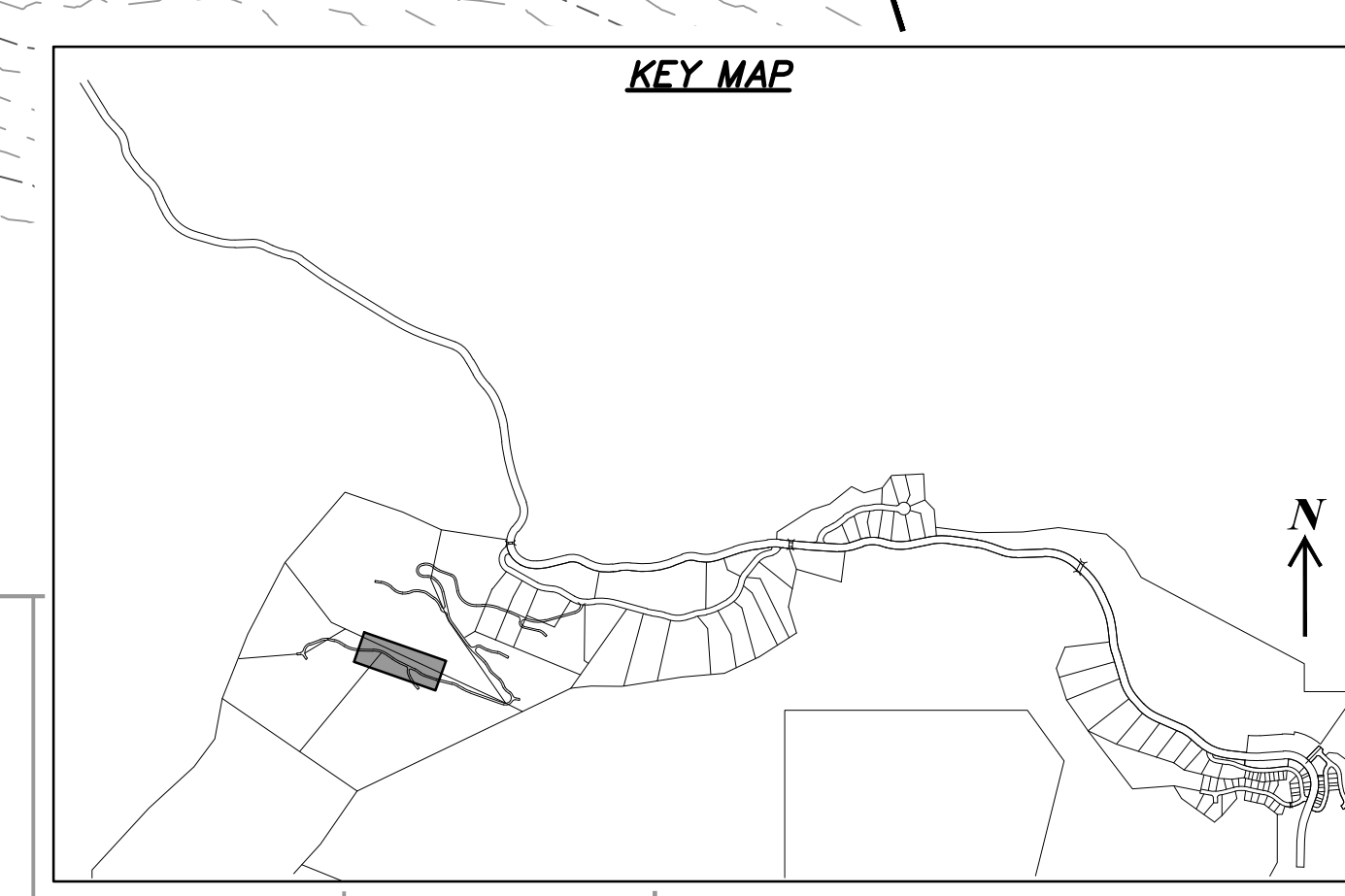
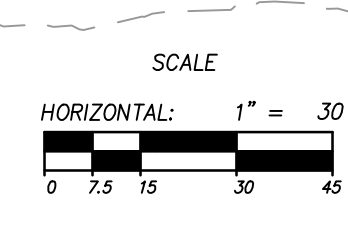
JOB NUMBER
SLB0793

The engineer preparing these plans will not be responsible for, or liable for, unauthorized changes to or uses of these plans, and must be approved by the preparer of these plans.

CAUTION



PRIVATE DRIVE 1
 STA: 39+50.00 TO 47+00.00



NO.	BY	DATE	REVISIONS

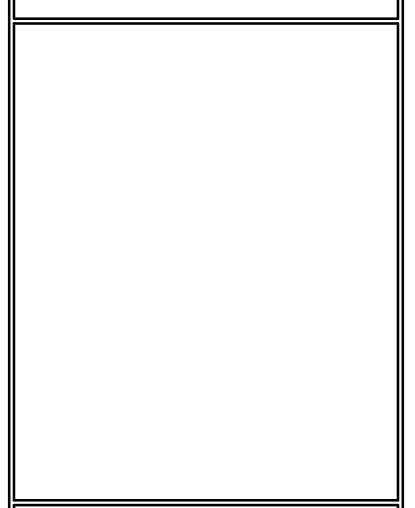
SUMMIT EDEN PHASE 1E/1F/1G
PRIVATE DRIVE 1
PLAN AND PROFILE

PREPARED FOR: SUMMIT MOUNTAIN HOLDING GROUP, LLC

DATE SUBMITTED: 7/7/2015

NV5
 BEYOND ENGINEERING

5217 SOUTH STATE STREET, SUITE 200
 801743.000 TEL. 801743.000 FAX
 MURRAY, UT 84107
 WWW.NV5.COM

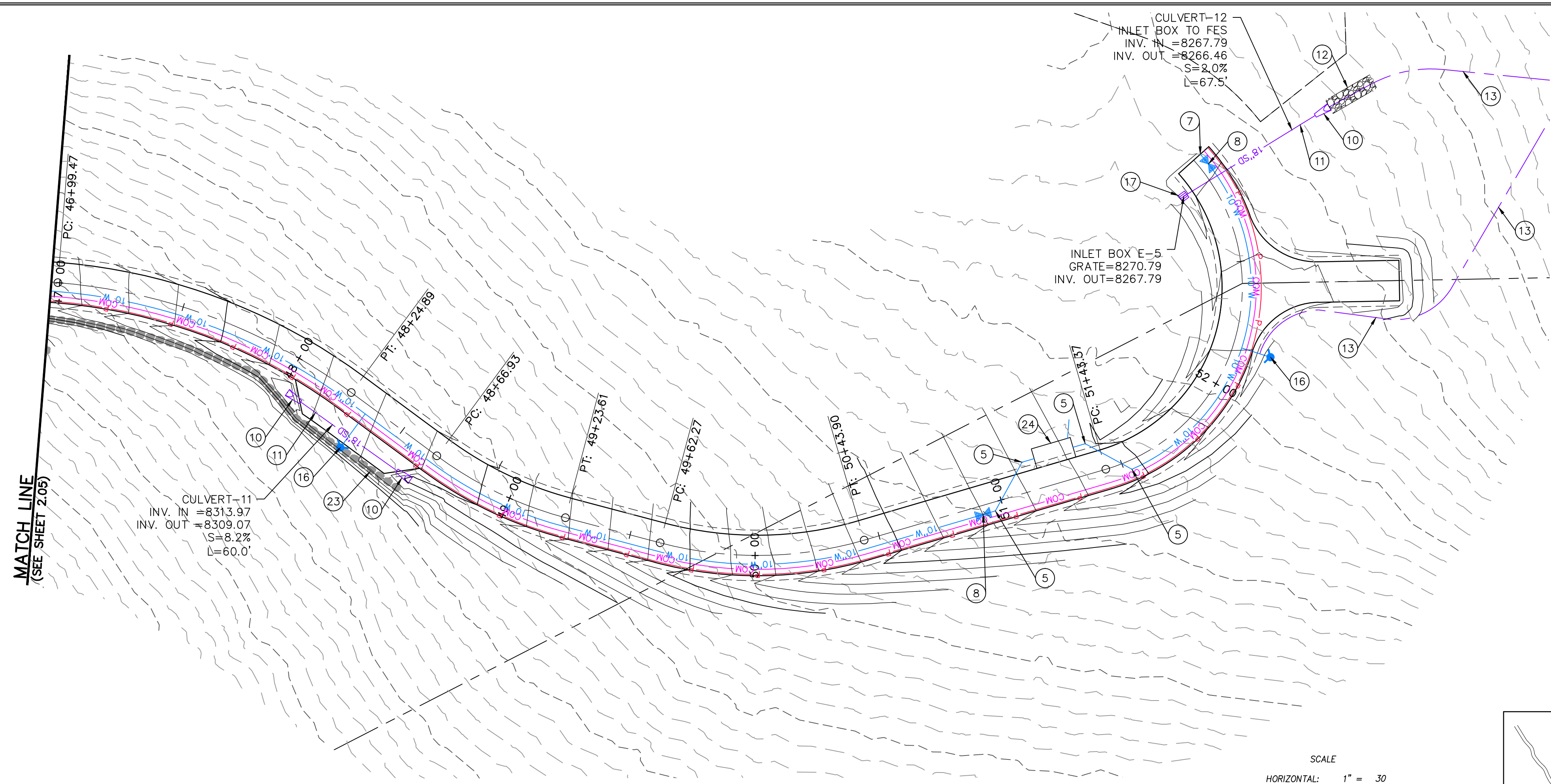


SHEET NUMBER
2.05

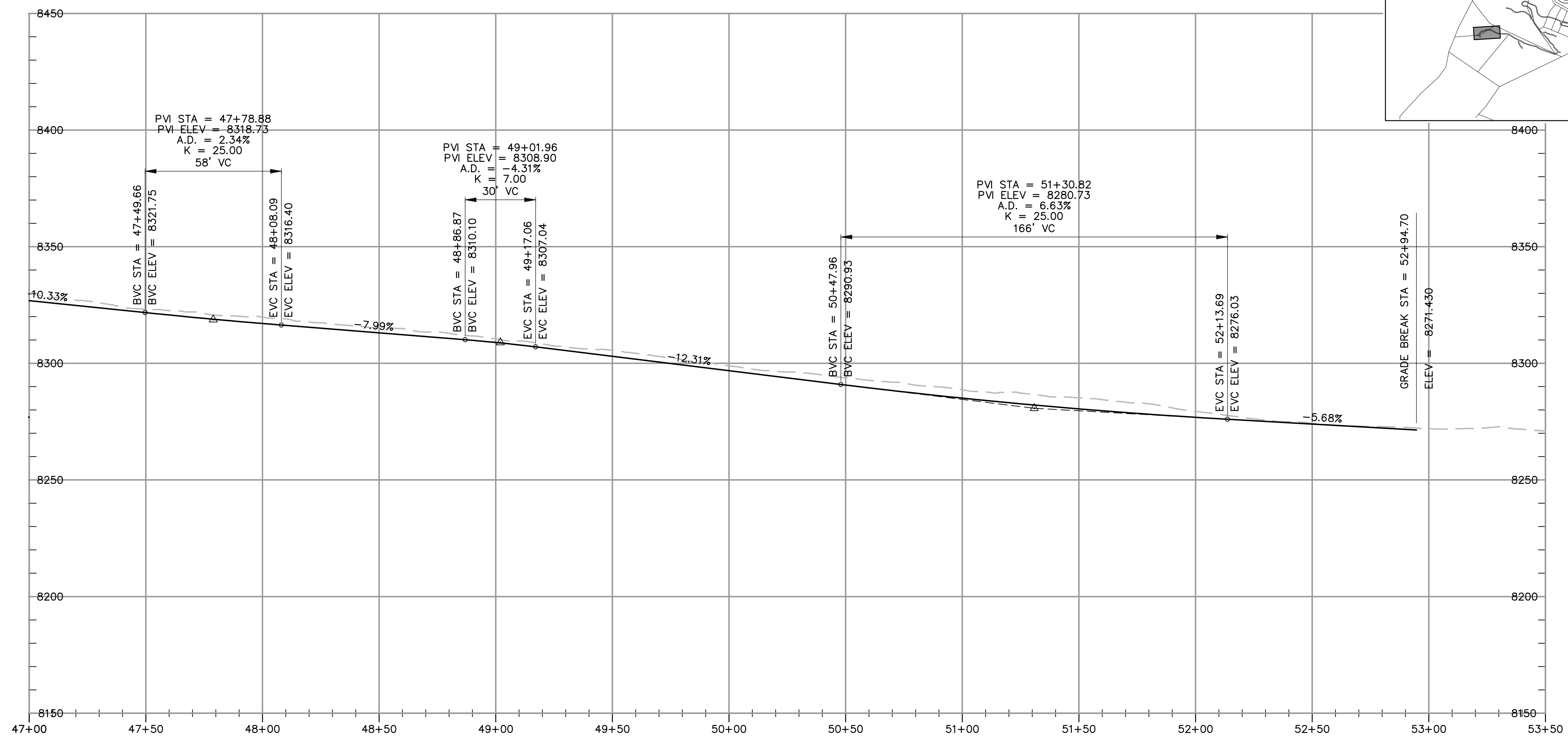
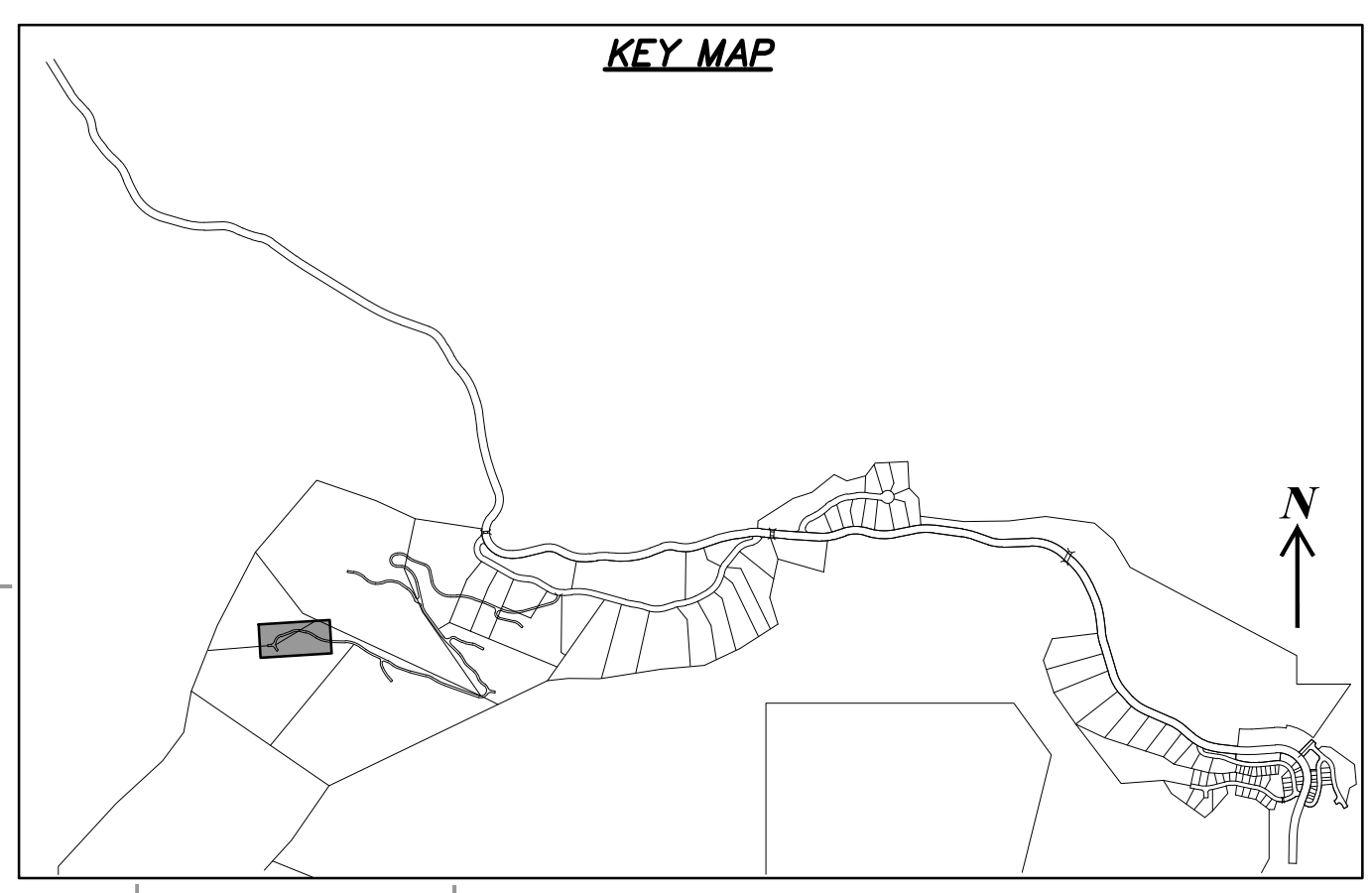
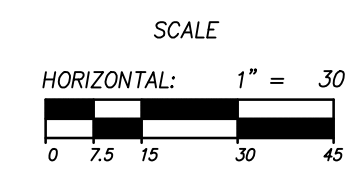
SCALE
 VERTICAL: 1" = 30'
 HORIZONTAL: 1" = 30'

JOB NUMBER
SLB0793

CAUTION
 The engineer preparing these plans will not be responsible for, or liable for, unauthorized changes to or uses of these plans, and must be approved by the preparer of these plans.



PRIVATE DRIVE 1
 STA: 47+00.00 TO 52+94.70



NO.	BY	DATE	REVISIONS

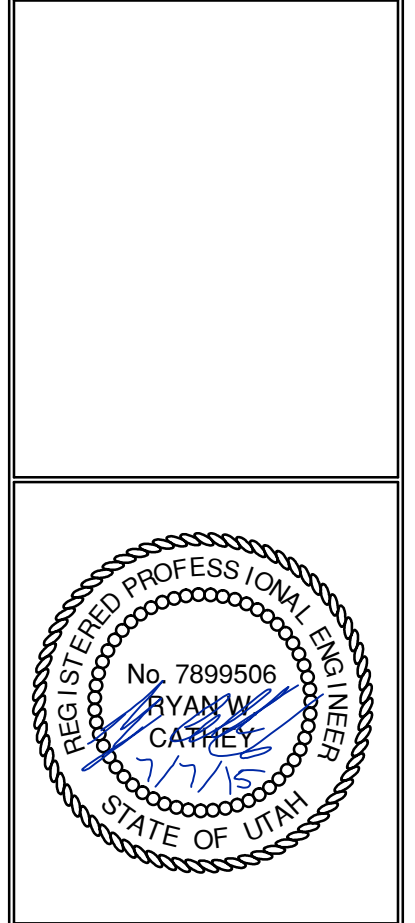
SUMMIT EDEN PHASE 1E/1F/1G
PRIVATE DRIVE 1
PLAN AND PROFILE

PREPARED FOR: SUMMIT MOUNTAIN HOLDING GROUP, LLC

DATE SUBMITTED: 7/7/2015

NV5
 BEYOND ENGINEERING

5217 SOUTH STATE STREET, SUITE 200
 801743.000 TEL. 801743.000 FAX
 MURRAY, UT 84107
 WWW.NV5.COM

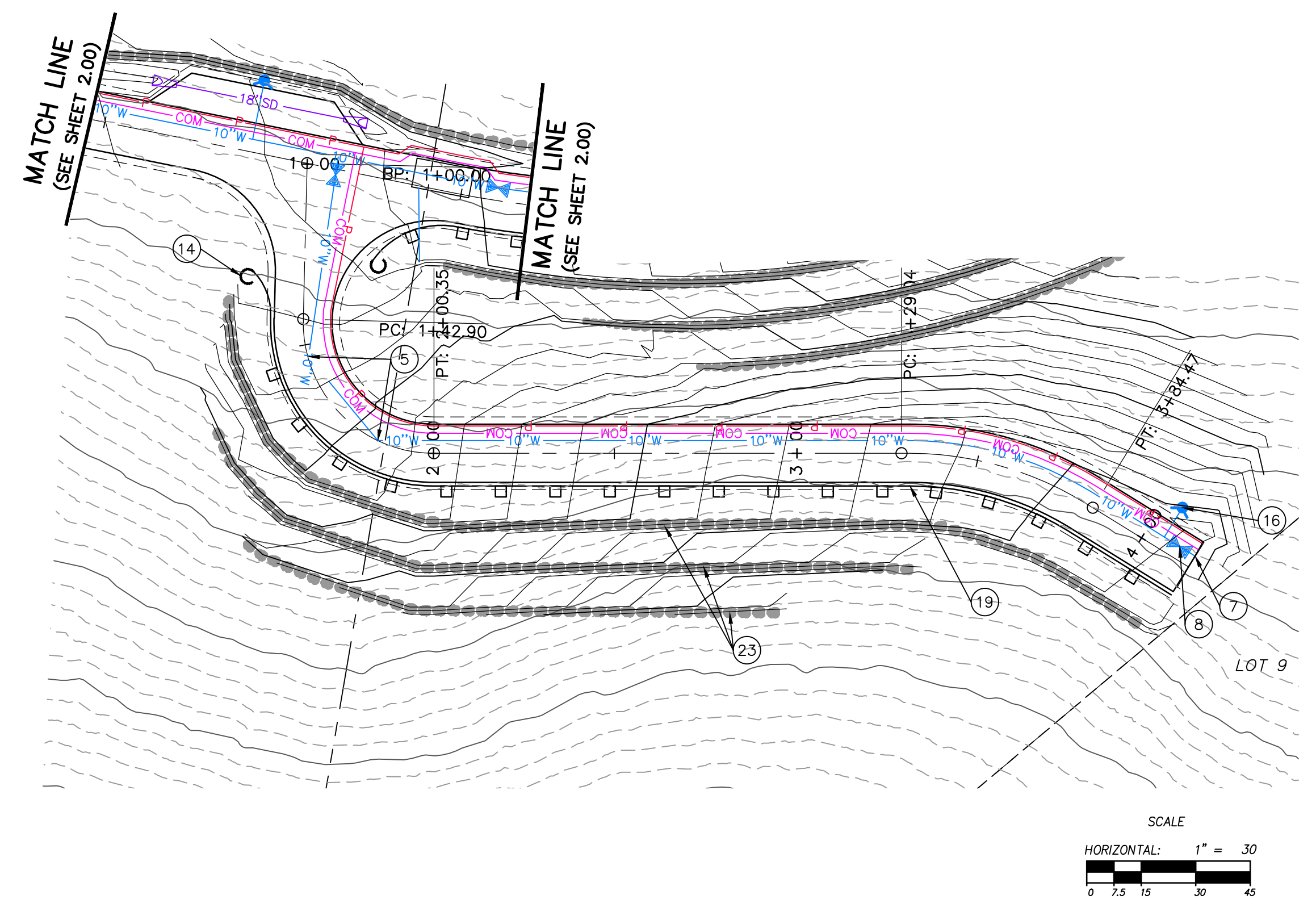


SHEET NUMBER
2.06

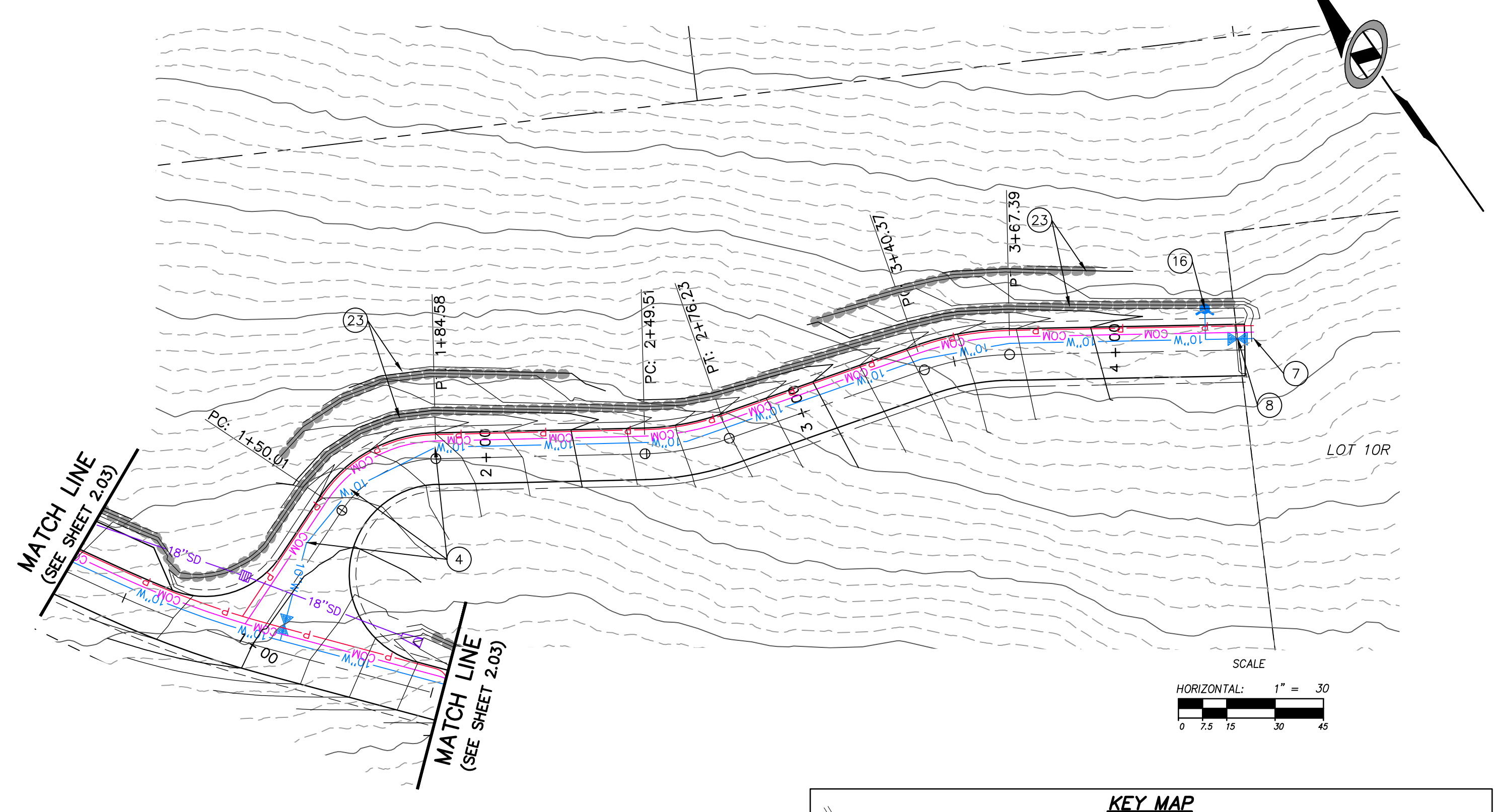
SCALE
 VERTICAL: 1" = 30'
 HORIZONTAL: 1" = 30'

JOB NUMBER
SLB0793

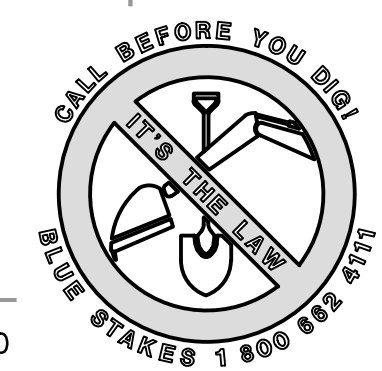
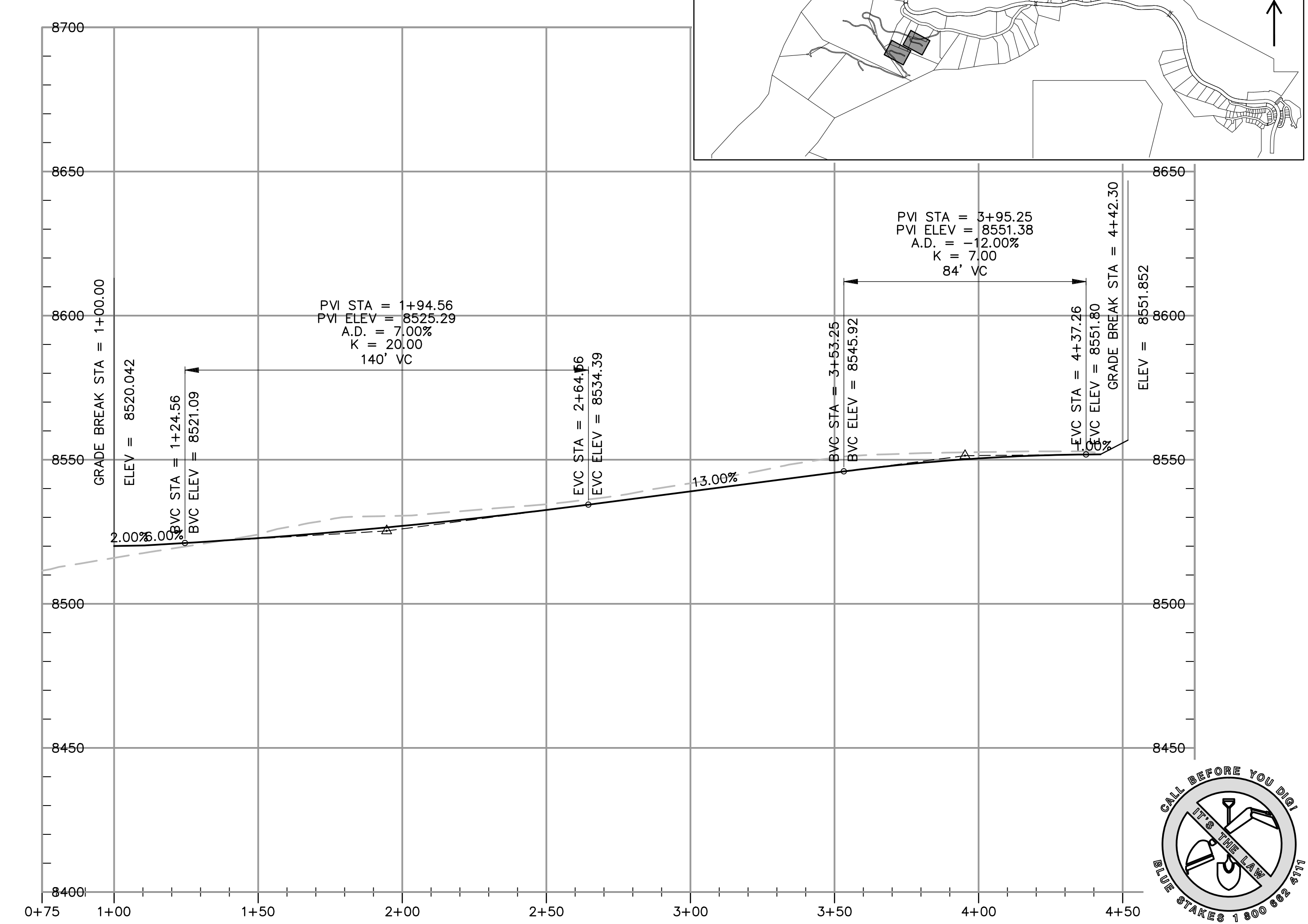
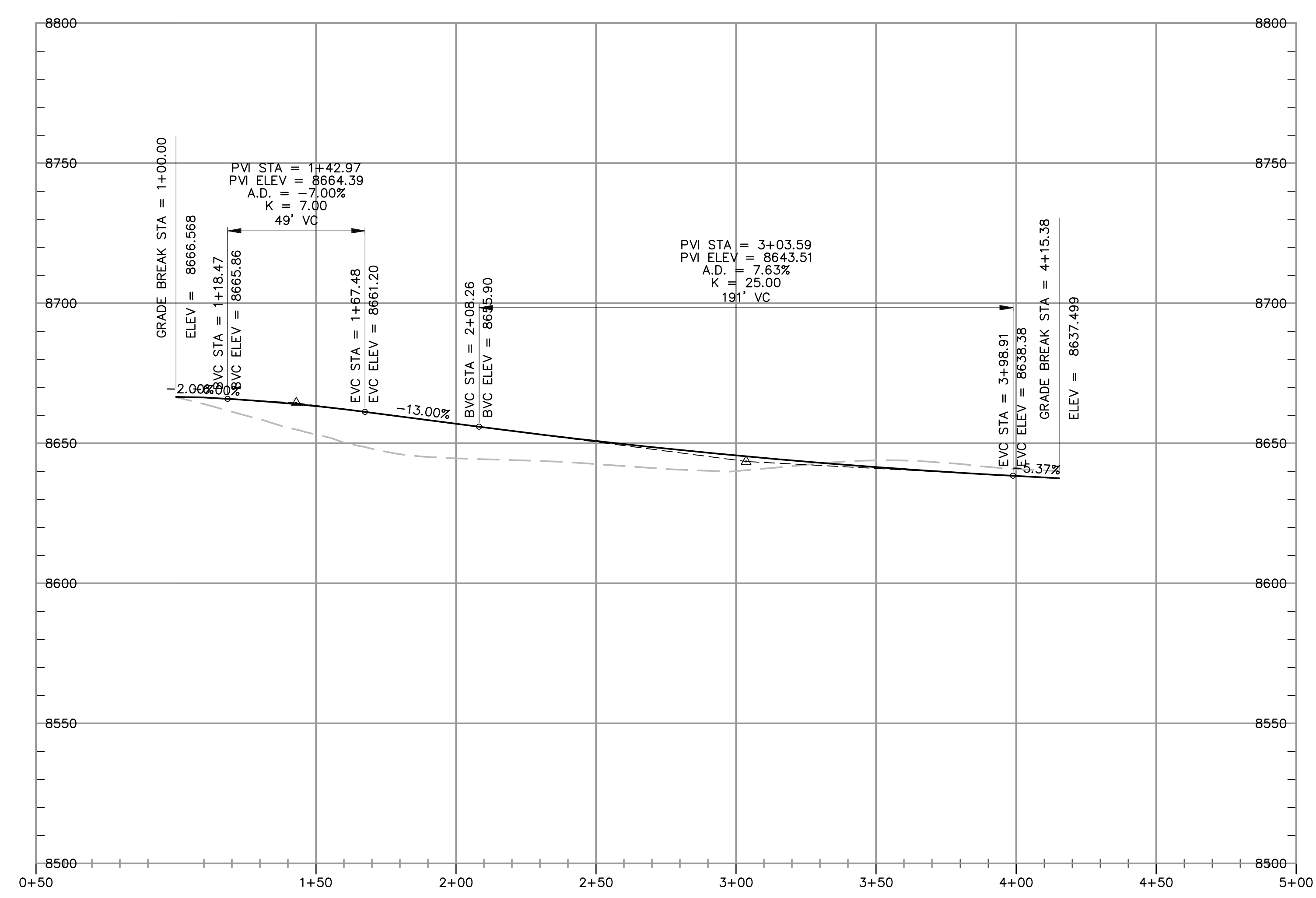
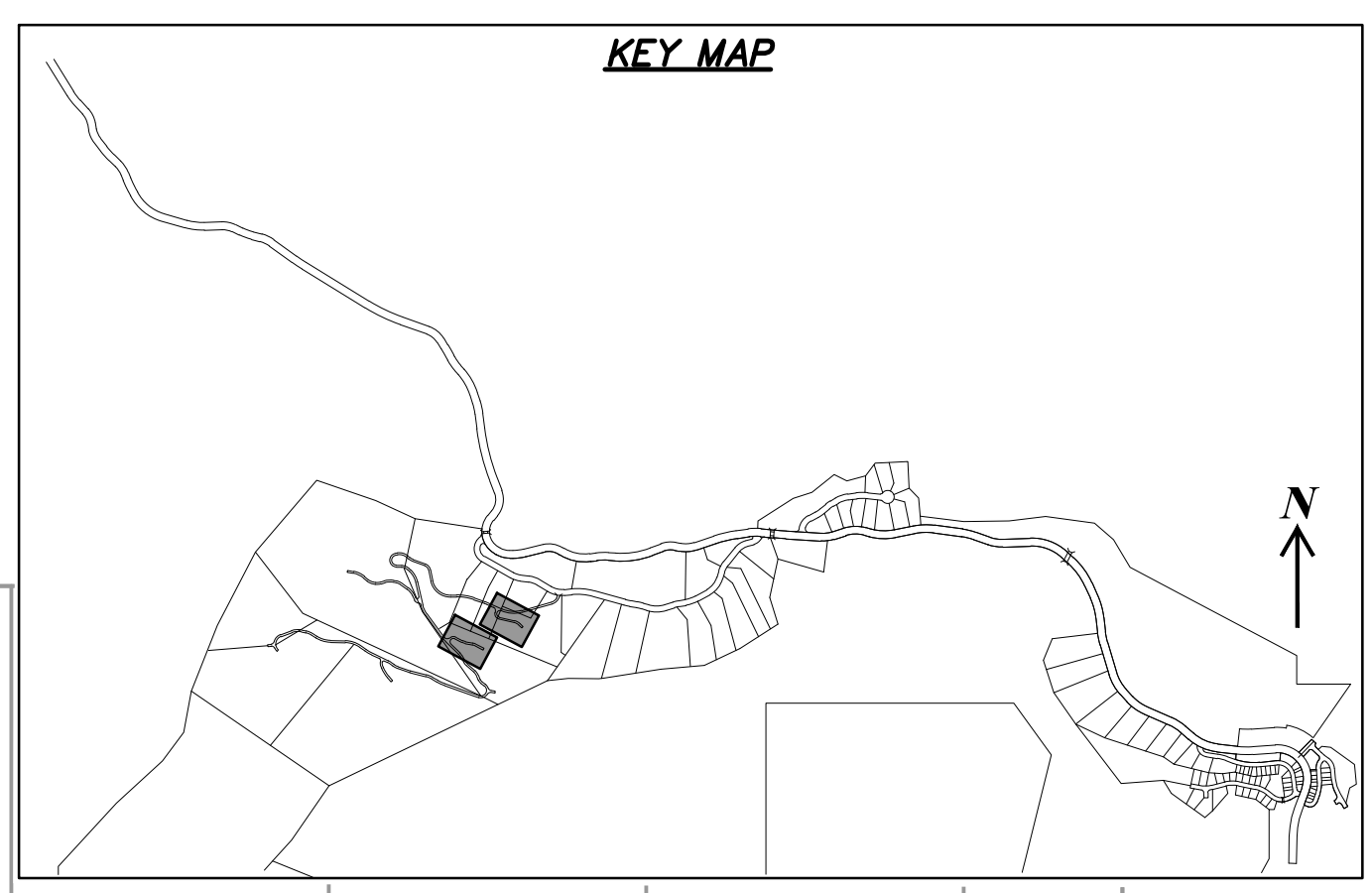
CAUTION
 The engineer preparing these plans will not be responsible for, or liable for, unauthorized changes to or uses of these plans. Any such changes or uses must be approved by the preparer of these plans.



PRIVATE DRIVE 2
 STA: 1+00.00 TO 4+15.38



PRIVATE DRIVE 3
 STA: 1+00.00 TO 4+42.30



NO.	BY	DATE	REVISIONS

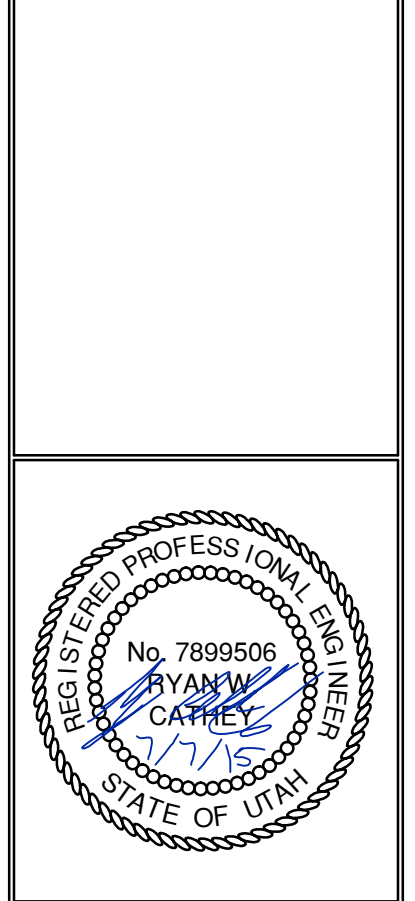
SUMMIT EDEN PHASE 1E/1F/1G
PRIVATE DRIVE 2 & 3
PLAN AND PROFILE

PREPARED FOR: SUMMIT MOUNTAIN HOLDING GROUP, LLC

DATE SUBMITTED: 7/7/2015

NV5
 BEYOND ENGINEERING

5217 SOUTH STATE STREET, SUITE 200
 MURRAY, UT 84107
 WWW.NV5.COM



SHEET NUMBER
2.07

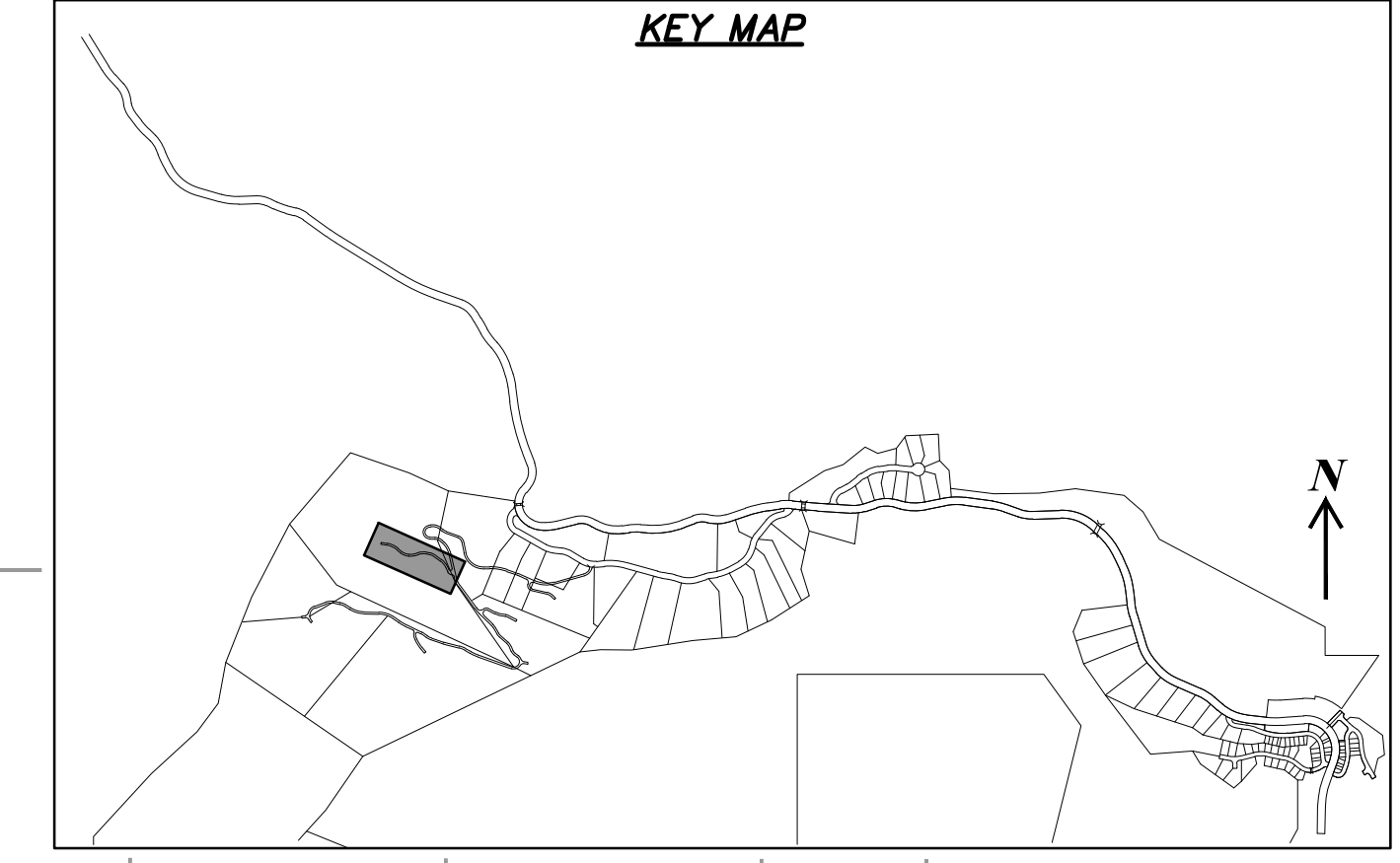
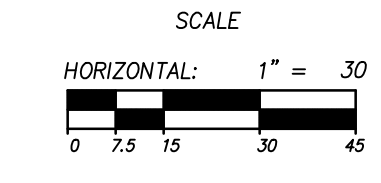
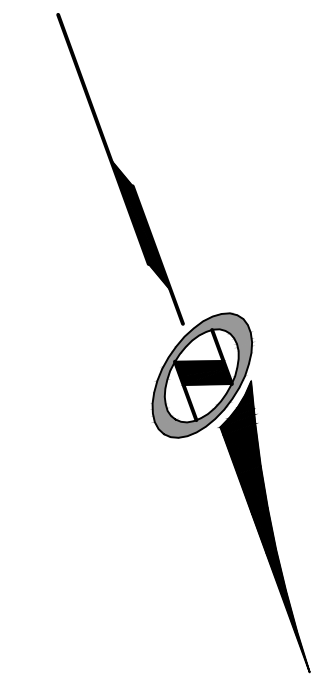
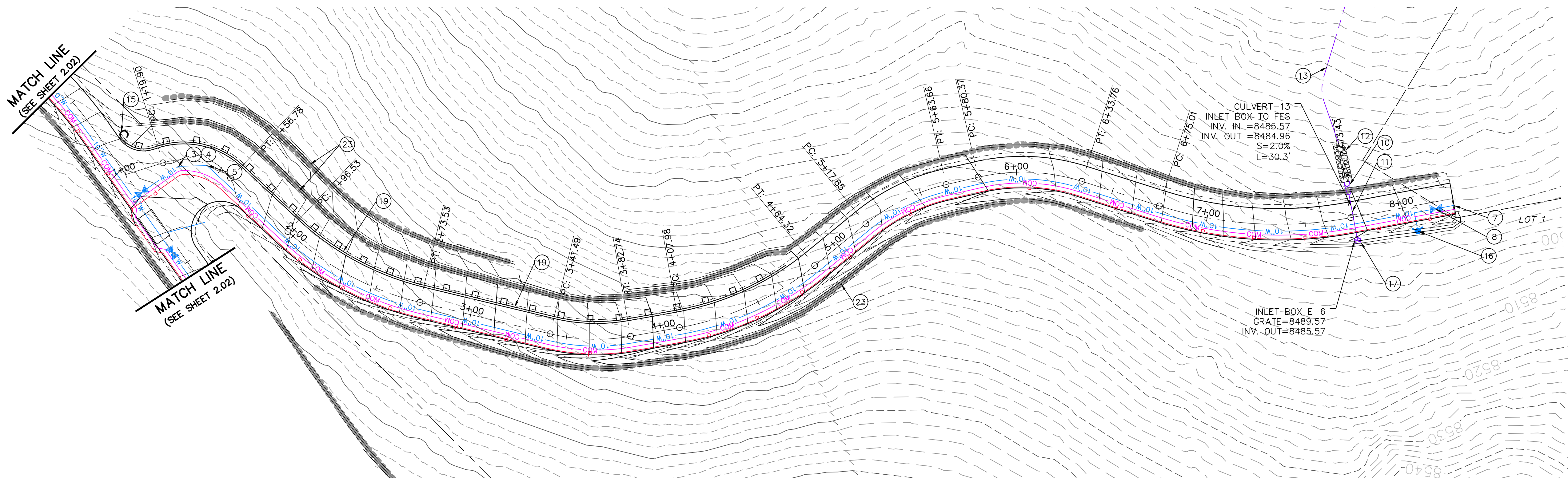
SCALE
 VERTICAL: 1" = 30'
 HORIZONTAL: 1" = 30'

JOB NUMBER
SLB0793

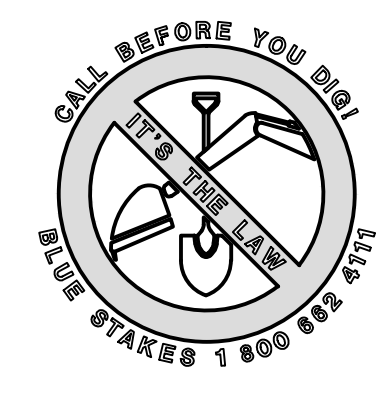
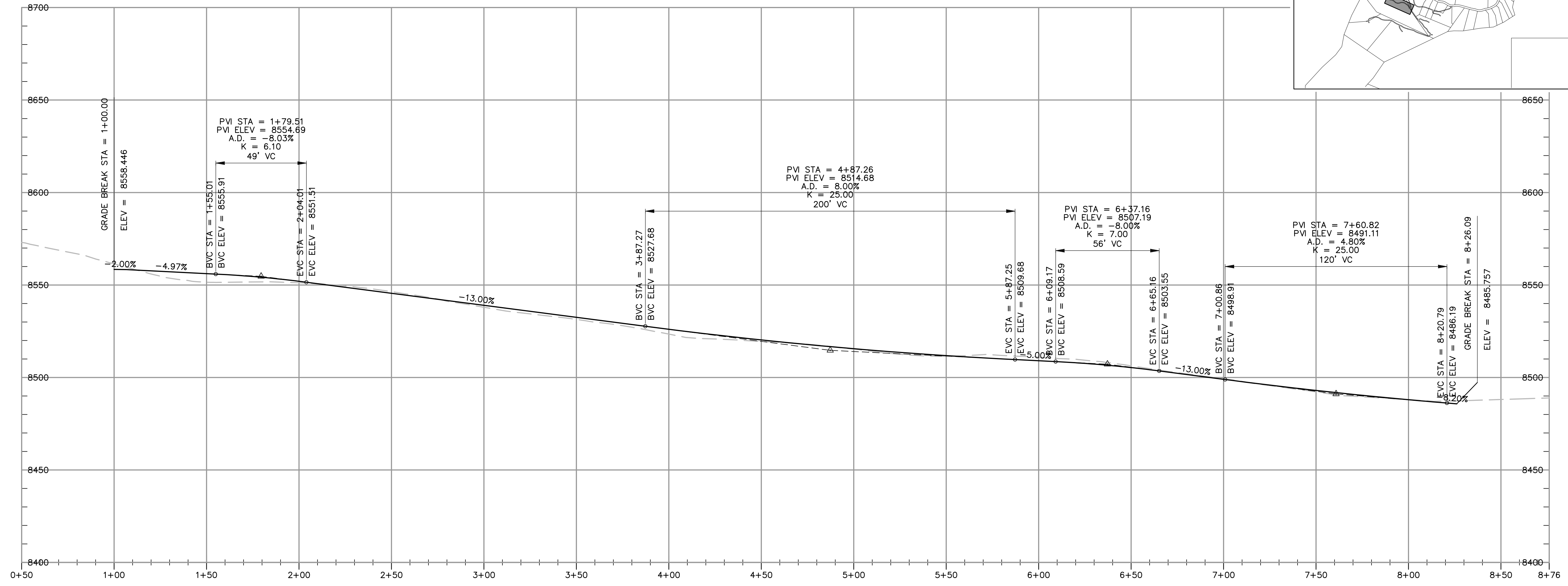
The engineer preparing these plans will not be responsible for, or liable for, unauthorized changes to or uses of these plans, and must be approved by the preparer of these plans.

CAUTION

DATE: 7/7/15 TIME: 7:37:43 AM DRAWING NAME: P208P01.DWG
 SERVER: NONE PAGE SETUP: LAYOUT: LAYOUT1
 PATH: N:\SLB0793\CAD\PHASE 1\VP1-P-E DESIGNED: TB PROJ. MGR: RE



PRIVATE DRIVE 4
 STA: 1+00.00 TO 8+26.09



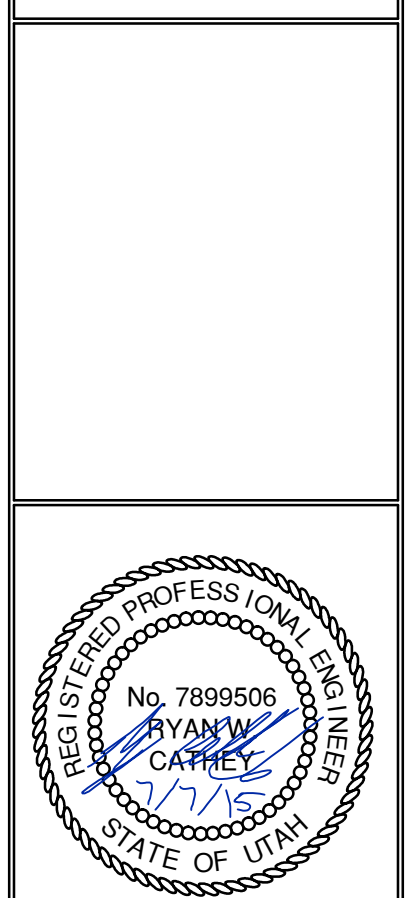
NO.	BY	DATE	REVISIONS

SUMMIT EDEN PHASE 1E/1F/1G
PRIVATE DRIVE 4
PLAN AND PROFILE

PREPARED FOR: SUMMIT MOUNTAIN HOLDING GROUP, LLC

DATE SUBMITTED: 7/7/2015

NV5
 BEYOND ENGINEERING
 5217 SOUTH STATE STREET, SUITE 200
 MURRAY, UT 84707
 WWW.NV5.COM



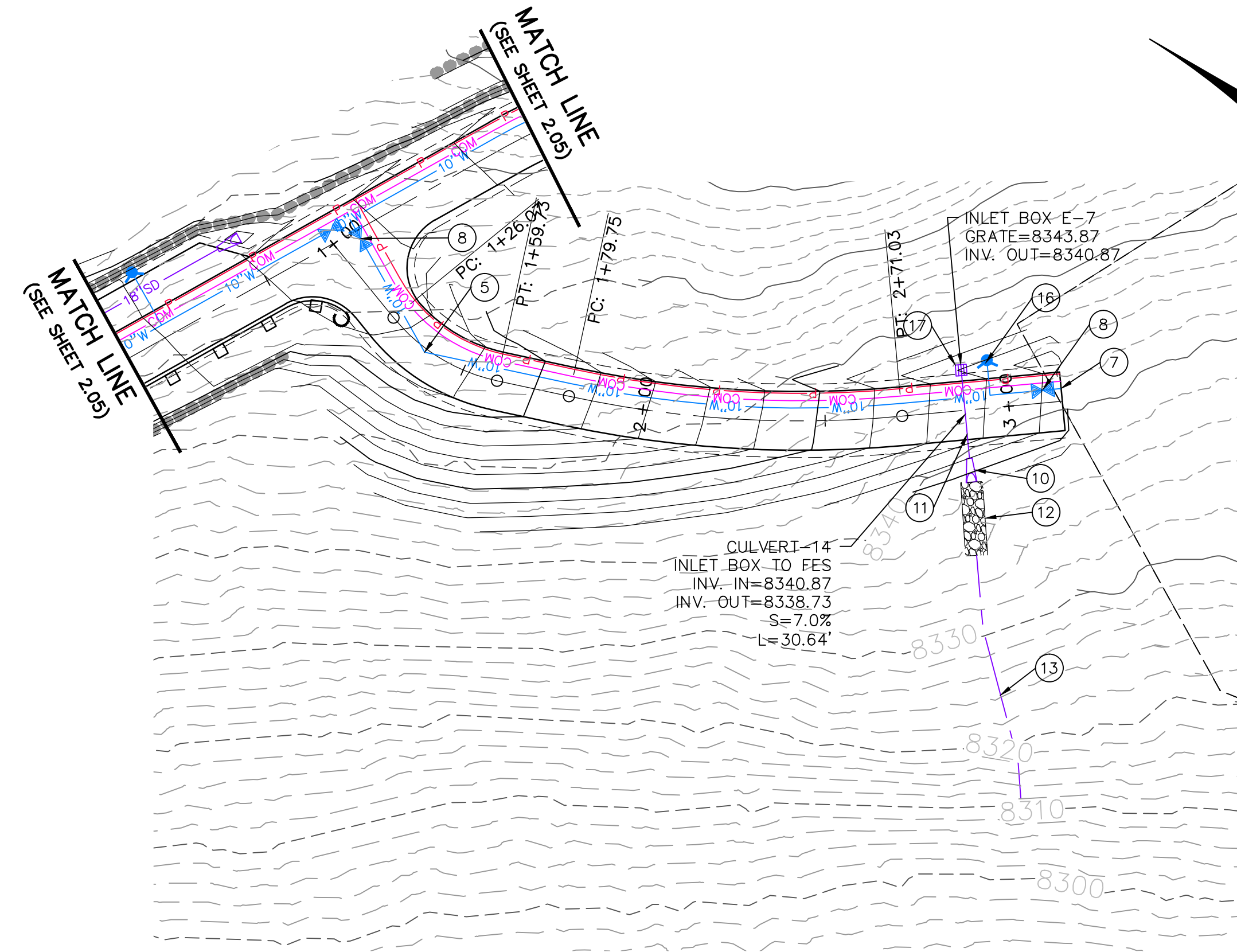
SHEET NUMBER
2.08

SCALE
 VERTICAL: 1" = 30'
 HORIZONTAL: 1" = 30'

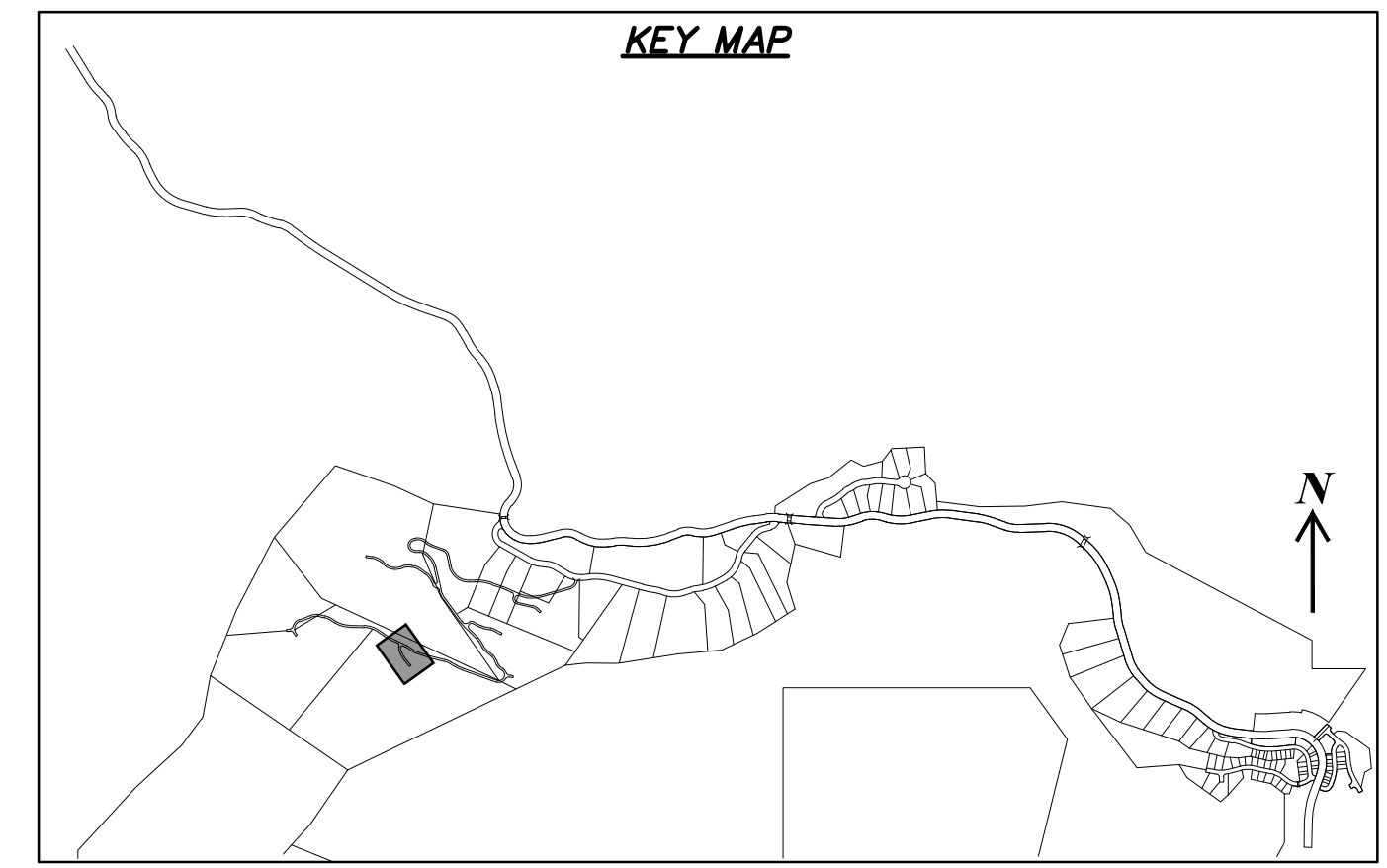
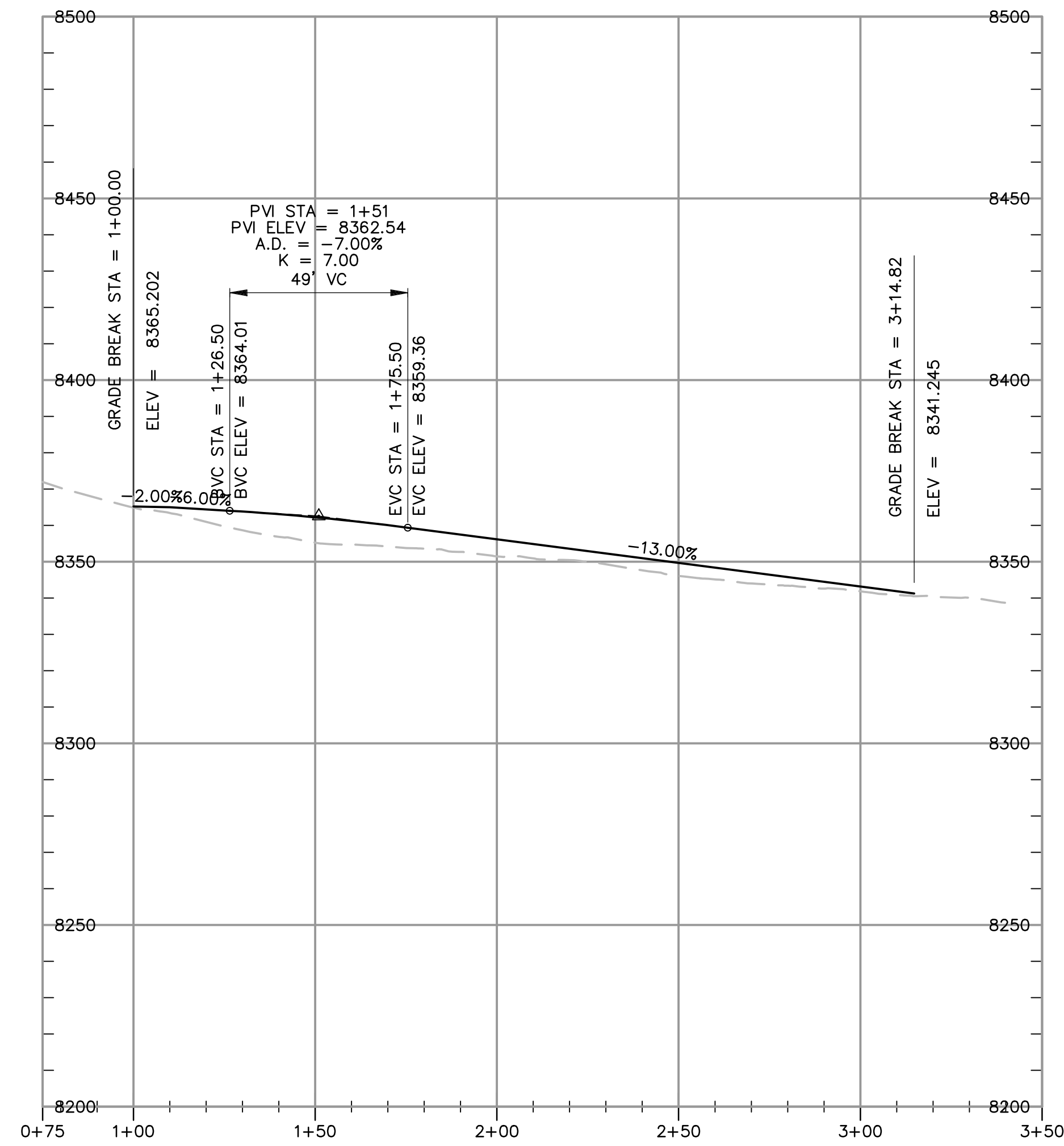
JOB NUMBER
SLB0793

The engineer preparing these plans will not be responsible for, or liable for, unauthorized changes to or uses of these plans. These plans must be approved by the preparer of these plans.

CAUTION



PRIVATE DRIVE 5
 STA: 1+00.00 TO 3+14.82



NO.	BY	DATE	REVISIONS

The engineer preparing these plans will not be responsible for, or liable for, unauthorized changes to or uses of these plans. Any such changes or uses must be approved by the preparer of these plans.

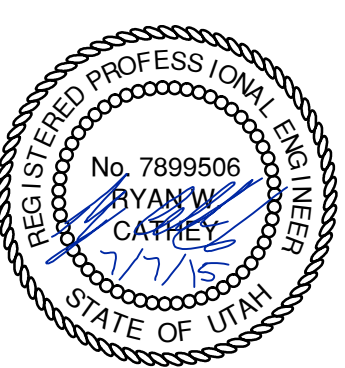
SUMMIT EDEN PHASE 1E/1F/1G
PRIVATE DRIVE 1
PLAN AND PROFILE

PREPARED FOR: SUMMIT MOUNTAIN HOLDING GROUP, LLC

DATE SUBMITTED: 7/7/2015

NV5
 BEYOND ENGINEERING

6217 SOUTH STATE STREET, SUITE 200
 801743.0000 TEL. 801743.0000 FAX
 MURRAY, UT 84107
 WWW.NV5.COM



SHEET NUMBER
2.09

SCALE
 VERTICAL: 1" = 30'
 HORIZONTAL: 1" = 30'

JOB NUMBER
SLB0793



DATE: 7/7/15 TIME: 7:40:23 AM DRAWING NAME: P:3000E.DWG
 SERVER: NONE PAGE SETUP: LAYOUT: LAYOUT1
 PATH: N:\SLB0793\CAD\PHASE 1\VP\1-E DESIGNED: ### PROJ. MGR: ###

BACKMAN
 XREFS:



NO.	BY	DATE	REVISIONS

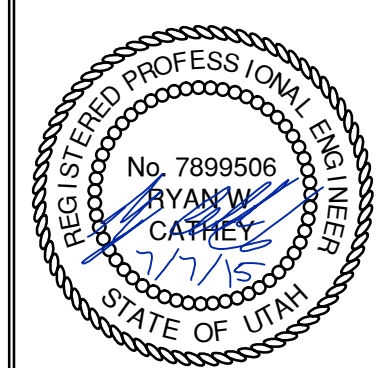
CAUTION
 The engineer preparing these plans will not be responsible for, or liable for, unauthorized changes to or uses of these plans. Any such changes or uses must be approved by the preparer of these plans.

**SUMMIT EDEN PHASE 1E/1F/1G
 EARTHWORK**

PREPARED FOR: SUMMIT MOUNTAIN HOLDING GROUP, LLC

DATE SUBMITTED: 7/7/2015

NV5
 BEYOND ENGINEERING
 5217 SOUTH STATE STREET, SUITE 200
 801743.0000 TEL. 801743.0000 FAX
 MURRAY, UT 84107
 WWW.NV5.COM



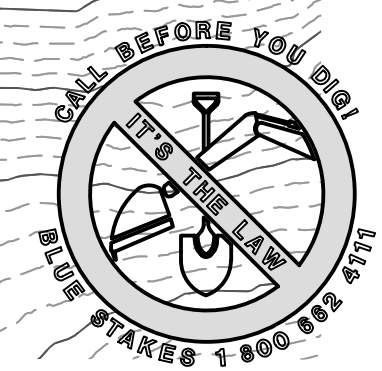
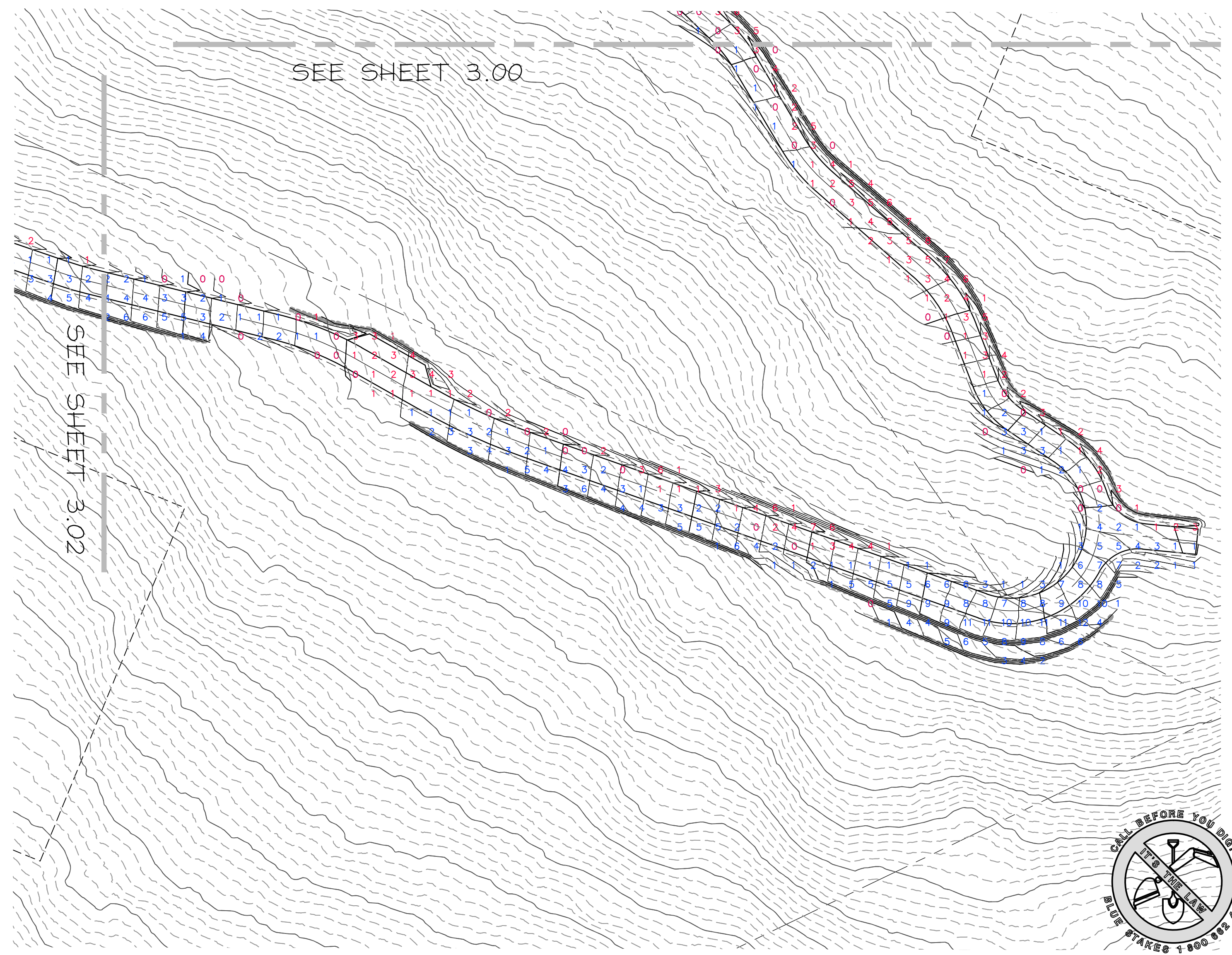
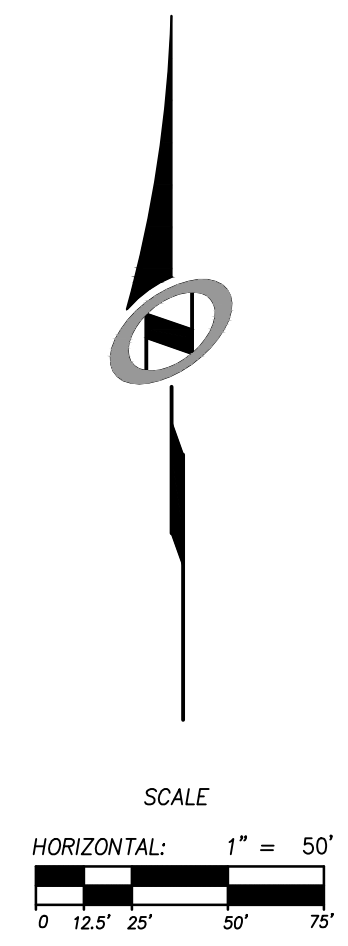
SHEET NUMBER
3.00

SCALE
 VERTICAL: 1" = NA
 HORIZONTAL: 1" = 100

JOB NUMBER
SLB0793



DATE: 7/7/15 TIME: 7:41:48 AM DRAWING NAME: P:\001\DWG
 SERVER: NONE PAGE SETUP: LAYOUT1
 PATH: N:\SLB0793\CAD\PHASE 1\DWG\1-E DESIGNER: ### PROJ. NO: ###

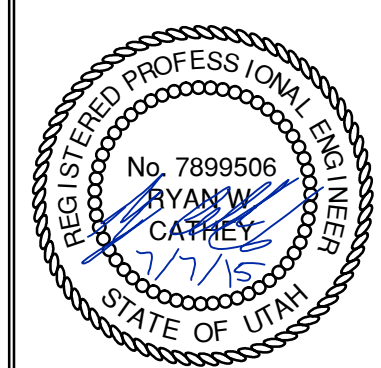


NO.	BY	DATE	REVISIONS

CAUTION
 The engineer preparing these plans will not be responsible for, or liable for, unauthorized changes to or uses of these plans. Any such changes or uses must be approved by the preparer of these plans.

SUMMIT EDEN PHASE 1E/1F/1G
EARTHWORK
 PREPARED FOR: SUMMIT MOUNTAIN HOLDING GROUP, LLC
 DATE SUBMITTED: 7/7/2015

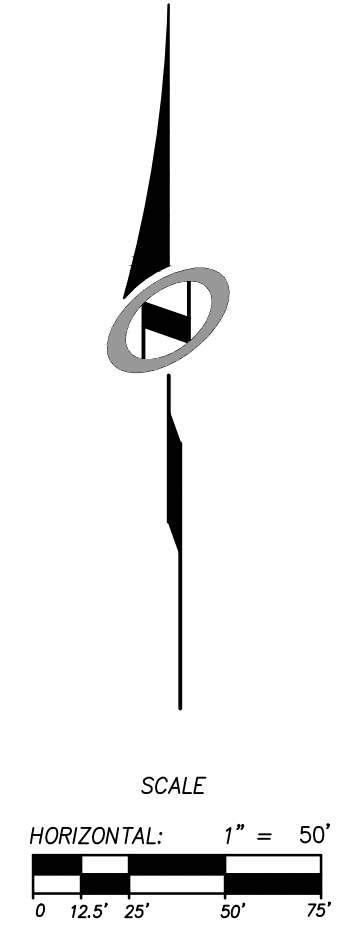
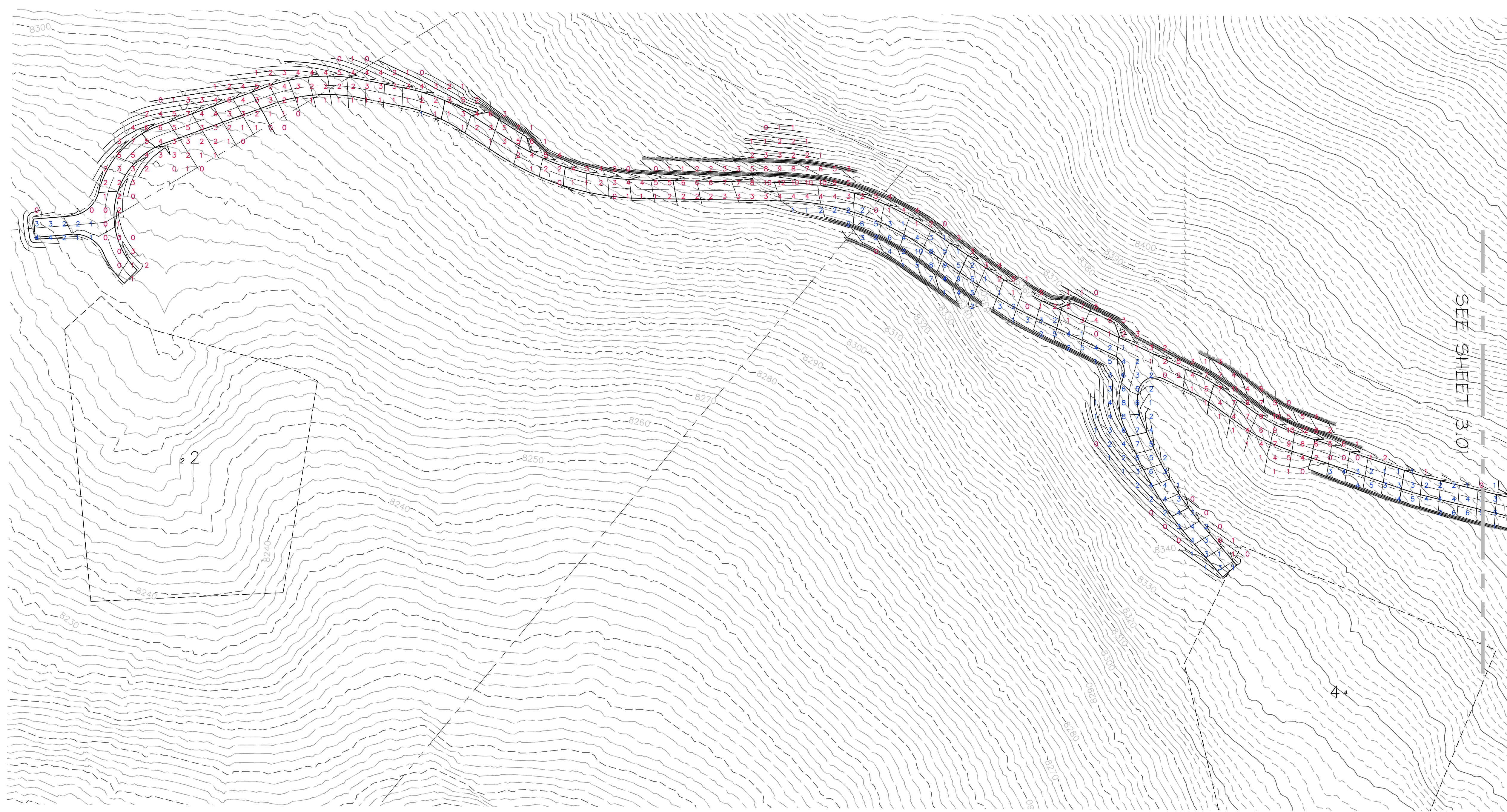
NV5
 BEYOND ENGINEERING
 6217 SOUTH STATE STREET, SUITE 200
 MURRAY, UT 84107
 801.743.0300 TEL. 801.743.0300 FAX
 WWW.NV5.COM



SHEET NUMBER
3.01
 SCALE
 VERTICAL: 1" = 8'
 HORIZONTAL: 1" = 50'
 JOB NUMBER
SLB0793

BACKMAN
 XREFS:

DATE: 7/7/15 TIME: 7:43:05 AM DRAWING NAME: P2002E.DWG
 SERVER: NONE PHASE SETUP: LAYOUT: LAYOUT1
 PATH: N:\SLB0793\CAD\PHASE 1\VP1-E DESIGNED: ### PROJ. MGR: ###



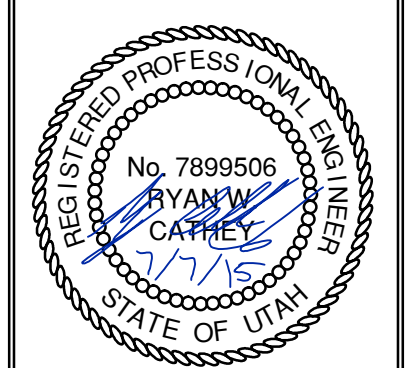
NO.	BY	DATE	REVISIONS

CAUTION
 The engineer preparing these plans will not be responsible for, or liable for, unauthorized changes to or uses of these plans. Any such changes or uses must be approved by the preparer of these plans.

SUMMIT EDEN PHASE 1E/1F/1G EARTHWORK

PREPARED FOR: SUMMIT MOUNTAIN HOLDING GROUP, LLC DATE SUBMITTED: 7/7/2015

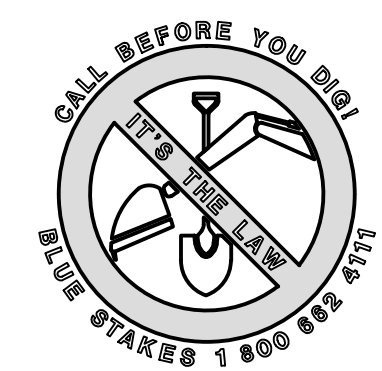
NV5
 BEYOND ENGINEERING
 627 SOUTH STATE STREET, SUITE 200
 MURRAY, UT 84107
 801.743.0300 TEL. 801.743.0300 FAX
 WWW.NV5.COM



SHEET NUMBER
3.02

SCALE
 VERTICAL: 1" = 10'
 HORIZONTAL: 1" = 50'

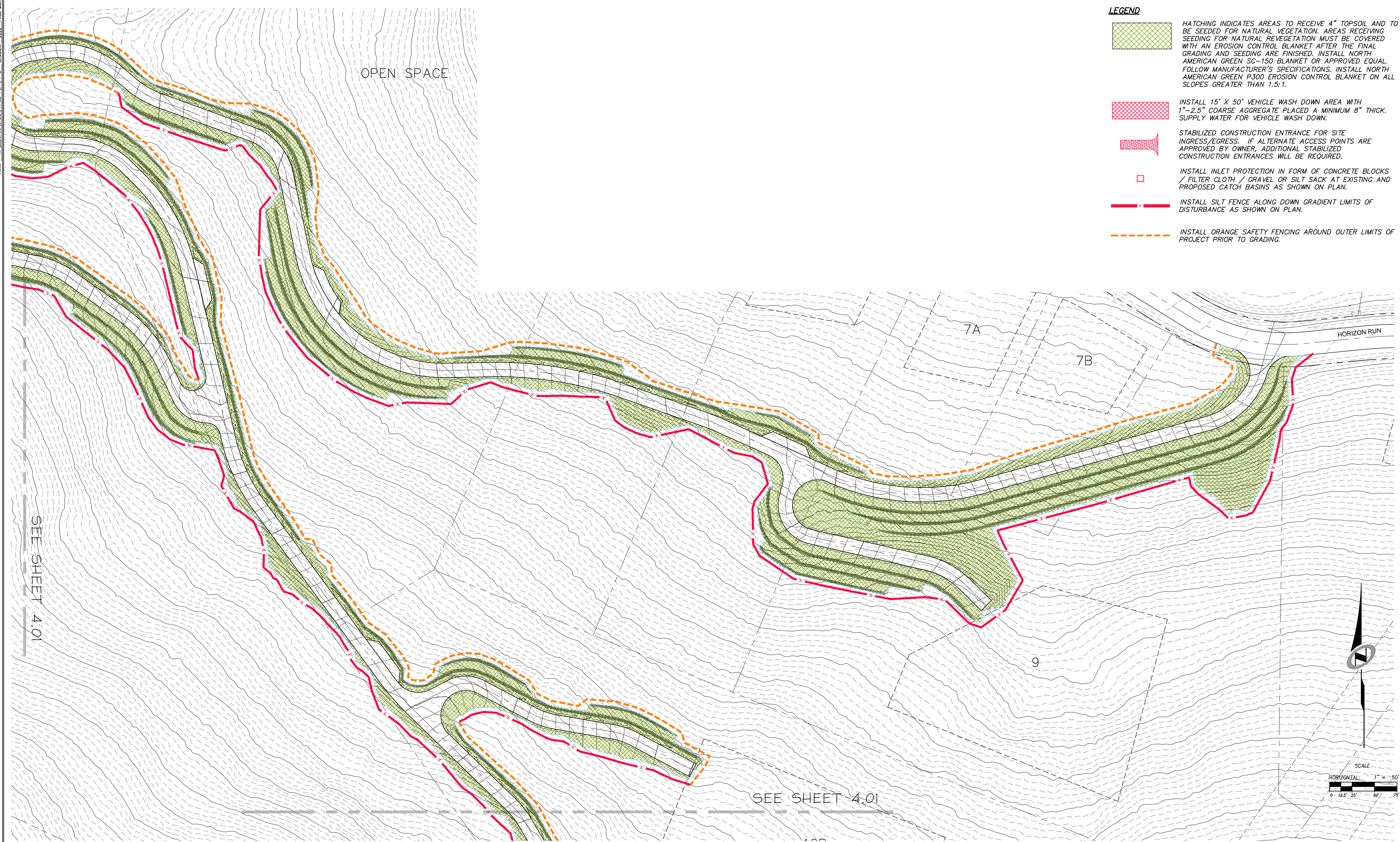
JOB NUMBER
SLB0793

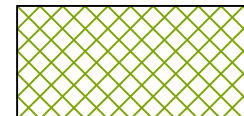







BACKMAN
 XREFS:

DATE: 7/7/15 TIME: 7:43:57 AM DRAWING NAME: EARTHWORK LAYOUT1
 SERVER: NONE PAGE SETUP: LAYOUT1
 PATH: H:\SLB0793\CADD\PHASE 1\DWG\1-E EARTHWORK LAYOUT1.DWG PROJ. MGR: ###

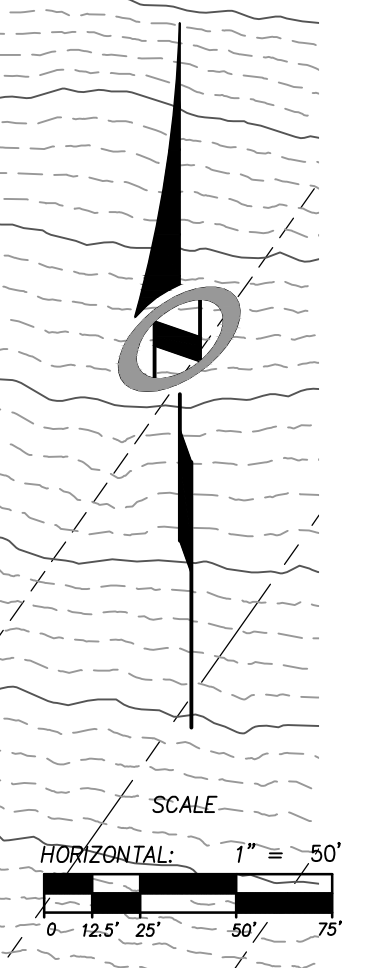
BACKMAN
 XREFS:



- LEGEND**
-  HATCHING INDICATES AREAS TO RECEIVE 4" TOPSOIL AND TO BE SEEDED FOR NATURAL VEGETATION. AREAS RECEIVING SEEDING FOR NATURAL REVEGETATION MUST BE COVERED WITH AN EROSION CONTROL BLANKET AFTER THE FINAL GRADING AND SEEDING ARE FINISHED. INSTALL NORTH AMERICAN GREEN SC-150 BLANKET OR APPROVED EQUAL. FOLLOW MANUFACTURER'S SPECIFICATIONS. INSTALL NORTH AMERICAN GREEN P300 EROSION CONTROL BLANKET ON ALL SLOPES GREATER THAN 1.5:1.
 -  INSTALL 15' X 50' VEHICLE WASH DOWN AREA WITH 1"-2.5" COARSE AGGREGATE PLACED A MINIMUM 8" THICK. SUPPLY WATER FOR VEHICLE WASH DOWN.
 -  STABILIZED CONSTRUCTION ENTRANCE FOR SITE INGRESS/EGRESS. IF ALTERNATE ACCESS POINTS ARE APPROVED BY OWNER, ADDITIONAL STABILIZED CONSTRUCTION ENTRANCES WILL BE REQUIRED.
 -  INSTALL INLET PROTECTION IN FORM OF CONCRETE BLOCKS / FILTER CLOTH / GRAVEL OR SILT SACK AT EXISTING AND PROPOSED CATCH BASINS AS SHOWN ON PLAN.
 -  INSTALL SILT FENCE ALONG DOWN GRADIENT LIMITS OF DISTURBANCE AS SHOWN ON PLAN.
 -  INSTALL ORANGE SAFETY FENCING AROUND OUTER LIMITS OF PROJECT PRIOR TO GRADING.

SEE SHEET 4.01

SEE SHEET 4.01



NO.	DATE	REVISIONS

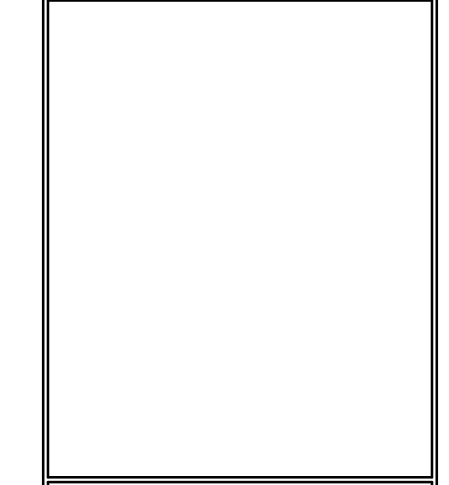
SUMMIT EDEN PHASE 1E/1F/1G EARTHWORK

PREPARED FOR: SUMMIT MOUNTAIN HOLDING GROUP, LLC

DATE SUBMITTED: 7/7/2015

NV5
 BEYOND ENGINEERING

5217 SOUTH STATE STREET, SUITE 200
 801743.0000 TEL. 801743.0000 FAX
 MURRAY, UT 84407
 WWW.NV5.COM

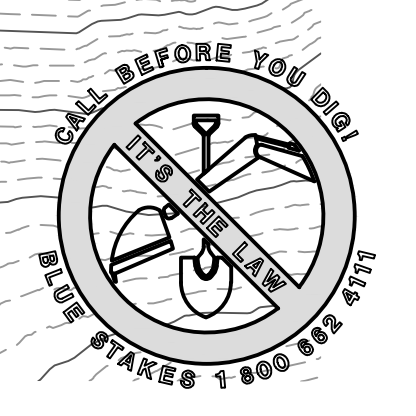
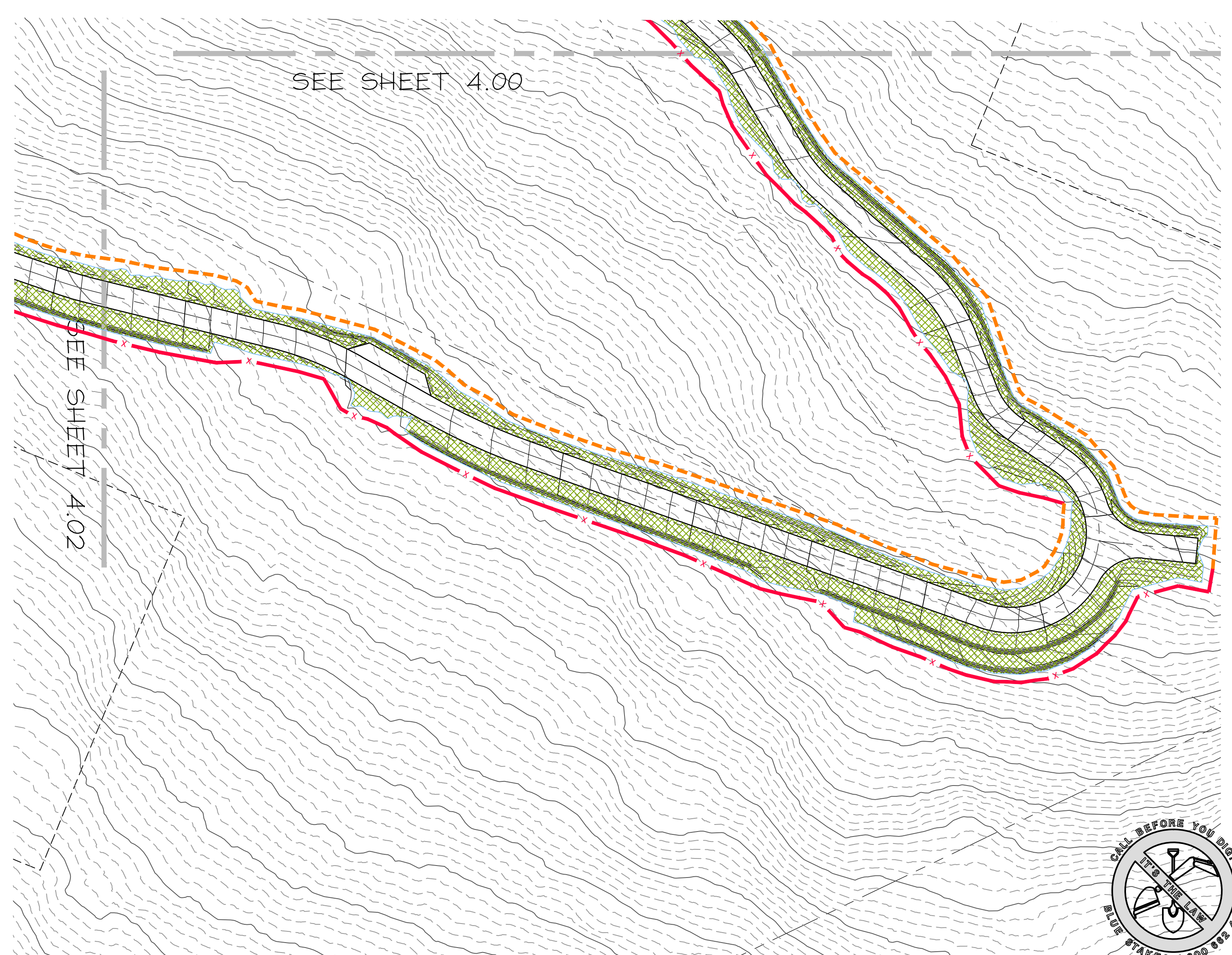
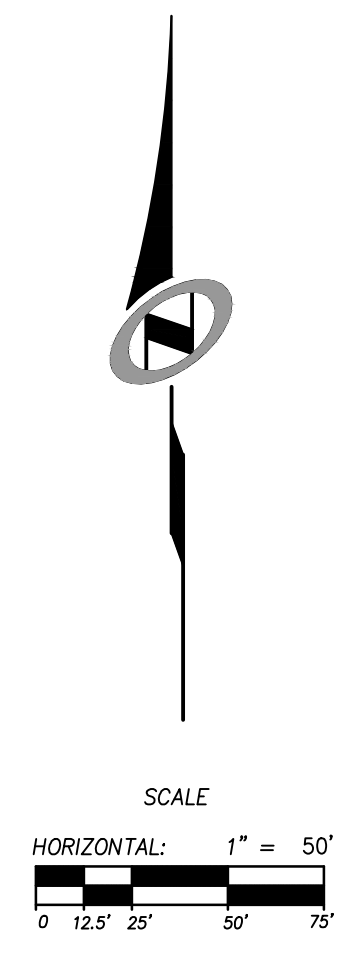
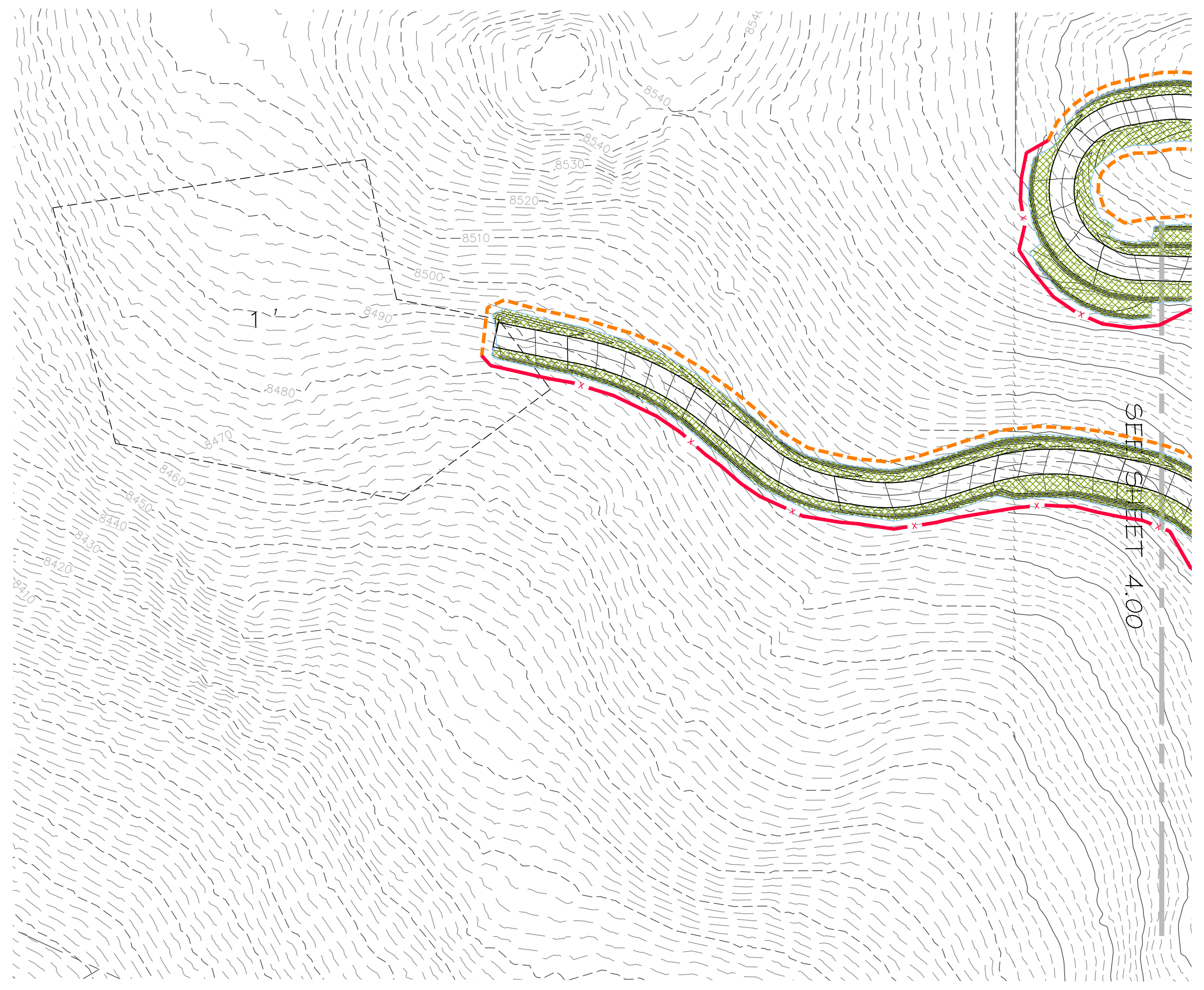


SHEET NUMBER	4.00
SCALE	VERTICAL: 1" = NA HORIZONTAL: 1" = 100
JOB NUMBER	SLB0793



CAUTION
 The engineer preparing these plans will not be responsible for or liable for unauthorized changes to or uses of these plans and must be approved by the preparer of these plans.

DATE: 7/7/15 TIME: 7:44:55 AM DRAWING NAME: P:\01\EC\DWG...
 SERVER: NONE PAGE SETUP: LAYOUT: ...
 PATH: N:\SLB0793\CAD\PHASE 1\VP\1-E...
 DESIGNED: ### PROJ. MGR: ###



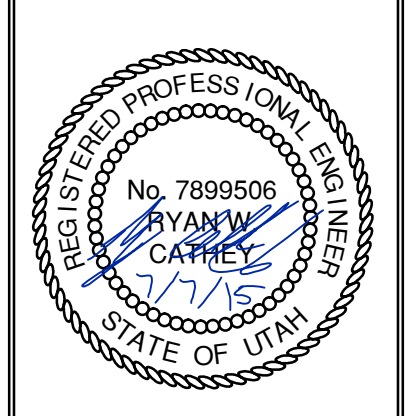
NO.	BY	DATE	REVISIONS

CAUTION
 The engineer preparing these plans will not be responsible for, or liable for, unauthorized changes to or uses of these plans. Any such changes or uses must be approved by the preparer of these plans.

SUMMIT EDEN PHASE 1E/1F/1G EARTHWORK

PREPARED FOR: SUMMIT MOUNTAIN HOLDING GROUP, LLC DATE SUBMITTED: 7/7/2015

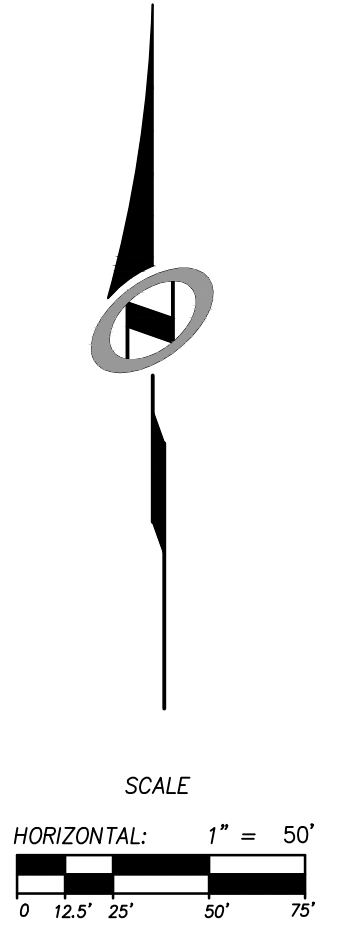
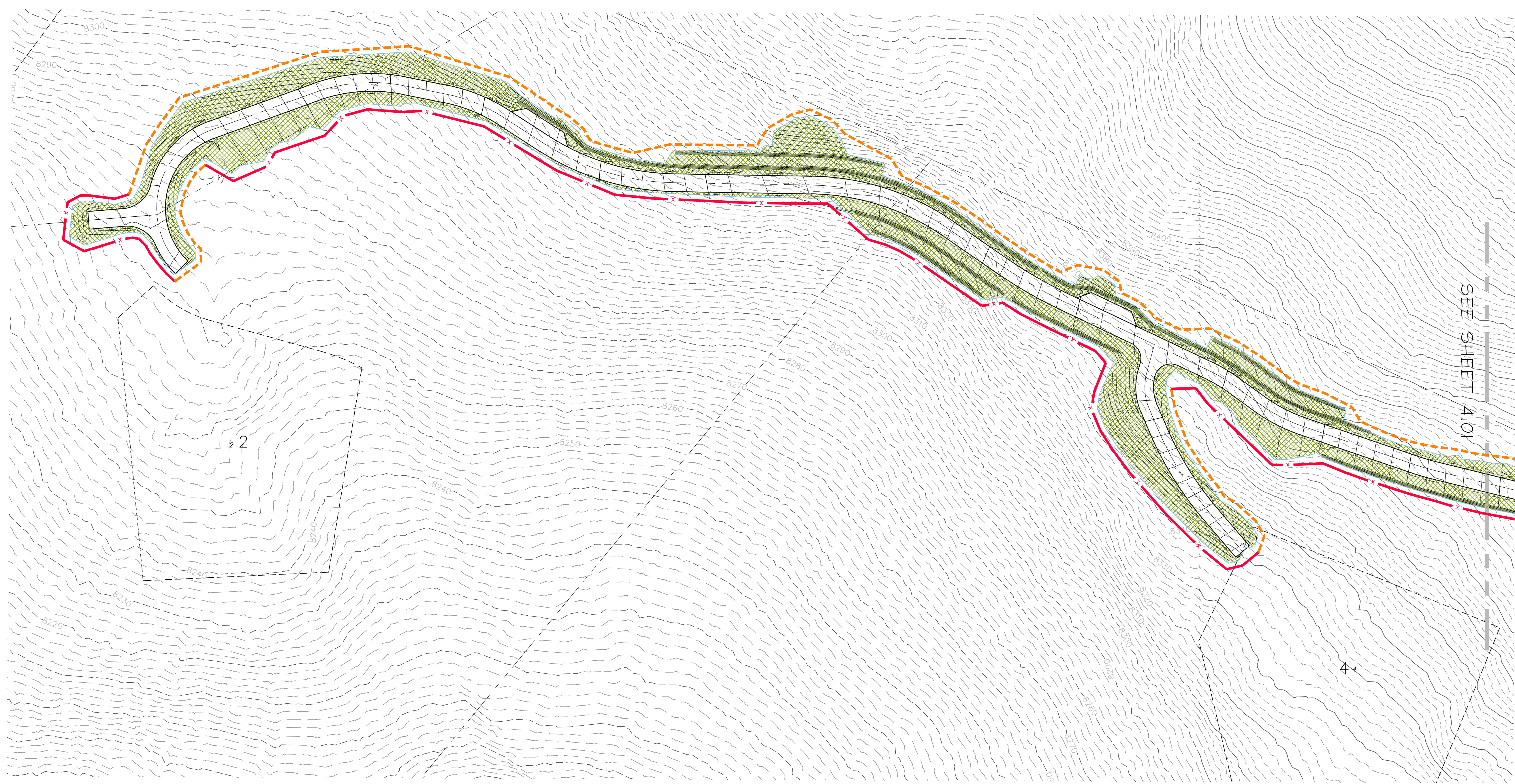
NV5
 BEYOND ENGINEERING
 5217 SOUTH STATE STREET, SUITE 200
 MURRAY, UT 84107
 801.743.0300 TEL. 801.743.0300 FAX
 WWW.NV5.COM



SHEET NUMBER	4.01
SCALE	VERTICAL: 1" = 10' HORIZONTAL: 1" = 50'
JOB NUMBER	SLB0793

BACKMAN
 XREFS:

DATE: 7/7/15 TIME: 7:45:41 AM DRAWING NAME: P402C2D10
 SERVER: NONE PAGE SETUP: LAYOUT: LAYOUT1
 PATH: N:\SLB0793\CAD\PHASE 1\VP1-E-DESIGNER-###.DWG PROJ. WDR: ###



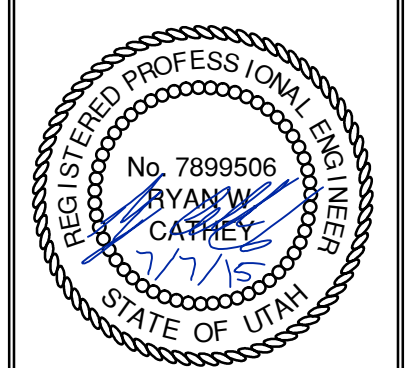
NO.	BY	DATE	REVISIONS

CAUTION
 The engineer preparing these plans will not be responsible for, or liable for, unauthorized changes to or uses of these plans. Any such changes or uses must be approved by the preparer of these plans.

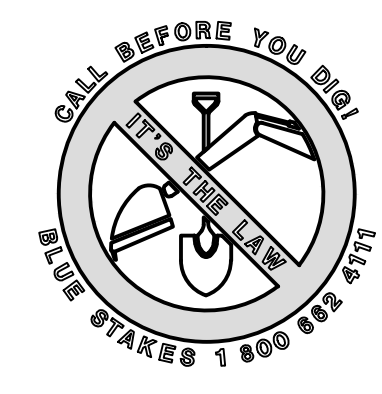
SUMMIT EDEN PHASE 1E/1F/1G EARTHWORK

PREPARED FOR: SUMMIT MOUNTAIN HOLDING GROUP, LLC DATE SUBMITTED: 7/7/2015

NV5
 BEYOND ENGINEERING
 6217 SOUTH STATE STREET, SUITE 200
 MURRAY, UT 84107 TEL: 801.743.0300 FAX: 801.743.0300
 WWW.NV5.COM



SHEET NUMBER
4.02
 SCALE
 VERTICAL: 1" = NA
 HORIZONTAL: 1" = 50
 JOB NUMBER
SLB0793



BACKMAN
 XREFS:

3' X 3' LID
WT. 990 #

3' X 3' RISER

3' X 3' BASE

HEIGHT	WEIGHTS	
	BASE	RISER
6"		550 #
1'		1,099 #
2'		2,198 #
3'	3,171 #	3,297 #
4'	4,796 #	4,207 #
5'	5,896 #	5,259 #
6'	6,994 #	7,894 #

NOTES:
 1. Vault design complies with ASTM C-857 and C-858 with less than 2" of earth cover and an A8HTO HS-20 loading.
 2. Lifting insert type and location may change without notice.

Oldcastle Precast
 801 West 12th Street, Ogden, Utah 84404
 Phone: 801-399-1171 Fax: 801-392-7849
 www.oldcastleprecast.com

3' x 3' Basin
 FILE NAME: 210DC3X3CB000
 ISSUE DATE: 1/08
 Copyright © 2008

3' x 3' Catch Basin Bases, Risers and lid

3x3' CATCH BASIN LID ELEVATION VIEW

3x3' CATCH BASIN LID PLAN VIEW 31" OPENING

3x3' CATCH BASIN LID PLAN VIEW 2'x3' OPENING CENTER/OFFSET

3x3' CATCH BASIN RISER ELEVATION VIEW

3x3' CATCH BASIN BASE ELEVATION VIEW

3x3' CATCH BASIN BASE / RISER PLAN VIEW

JOINT DETAIL

SEE KNOCKOUT TABLE

KNOCKOUT	
BASE HEIGHT	DIA.
3'	30"
4'	36"
5'	36"
6'	36"

KNOCKOUTS ARE 4" DEEP

Oldcastle Precast
 801 West 12th Street, Ogden, Utah 84404
 Phone: 801-399-1171 Fax: 801-392-7849
 www.oldcastleprecast.com

3' x 3' Basin
 FILE NAME: 210DC3X3CB000
 ISSUE DATE: 1/08
 Copyright © 2008

3' x 3' Catch Basin Bases, risers and lid

PLAN VIEW

SECTION A-A

END VIEW

Diam.	Slope X : Y	A					
		B	C	E	F	G	
12"	2.4 : 1	4"	24"	48%	72%	24"	2"
15"	2.4 : 1	6"	27"	46"	73"	30"	2 1/4"
18"	2.3 : 1	9"	29"	46"	73"	36"	2 1/2"
24"	2.5 : 1	18"	43%	30"	73%	48"	3"
30"	2.5 : 1	12"	54"	19%	73%	60"	3 1/2"
36"	2.5 : 1	15"	63"	34%	97%	72"	4"
42"	2.5 : 1	21"	63"	35"	98"	78"	4 1/2"
48"	2.5 : 1	24"	72"	26"	98"	84"	5"

Oldcastle Precast
 801 West 12th Street, Ogden, Utah 84404
 Phone: 801-399-1171 Fax: 801-392-7849
 www.oldcastleprecast.com

Flared End
 FILE NAME: 210DPERNDFLARE
 ISSUE DATE: 5/2008
 Copyright © 2008

Flared End Section for Round Pipe

I-3742 Drop Inlet

CAST IRON to conform to ASTM A-48, CLASS 35B H-20 Wheel Loading

I-3742
 Est. weight 582 lbs.

D&L SUPPLY
 D&L Foundry
 P.O. Box 1315
 Moses Lake, WA 98837
 Phone: (509) 765-7952 Fax: (509) 765-8124

Designation: I-3742 Date of Drawing: JUL 1994 Prepared by: D&L Supply Scale: 1" = 17 1/2" Sheet Number: 1 Total Sheets: 1

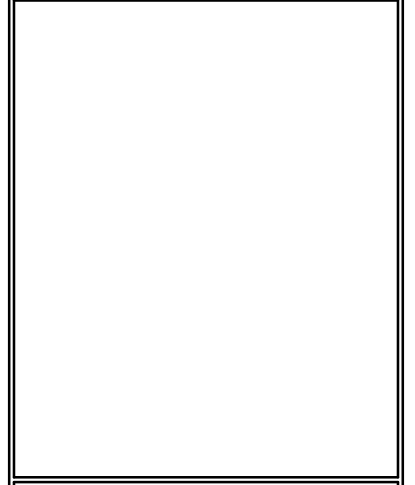
NO.	BY	DATE	REVISIONS

SUMMIT EDEN PHASE 1E/1F/1G STORM DRAIN DETAILS

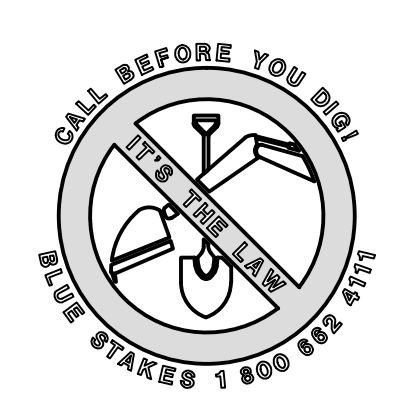
DATE SUBMITTED: 7/7/2015

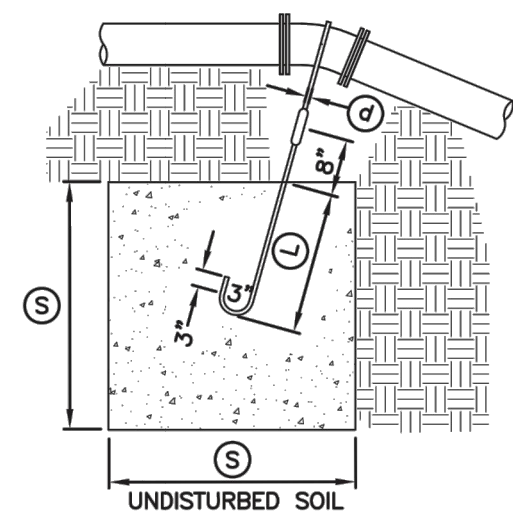
PREPARED FOR: SUMMIT MOUNTAIN HOLDING GROUP, LLC

NV5
 BEYOND ENGINEERING
 627 SOUTH STATE STREET, SUITE 200
 MURRAY, UT 84107
 801.743.0300 TEL. 801.743.0300 FAX
 WWW.NV5.COM



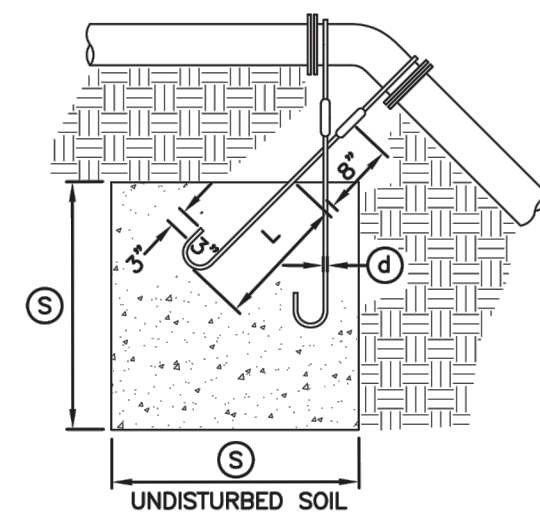
SHEET NUMBER	5.00
SCALE	VERTICAL: 1" = N/A HORIZONTAL: 1" = N/A
JOB NUMBER	SLB0793





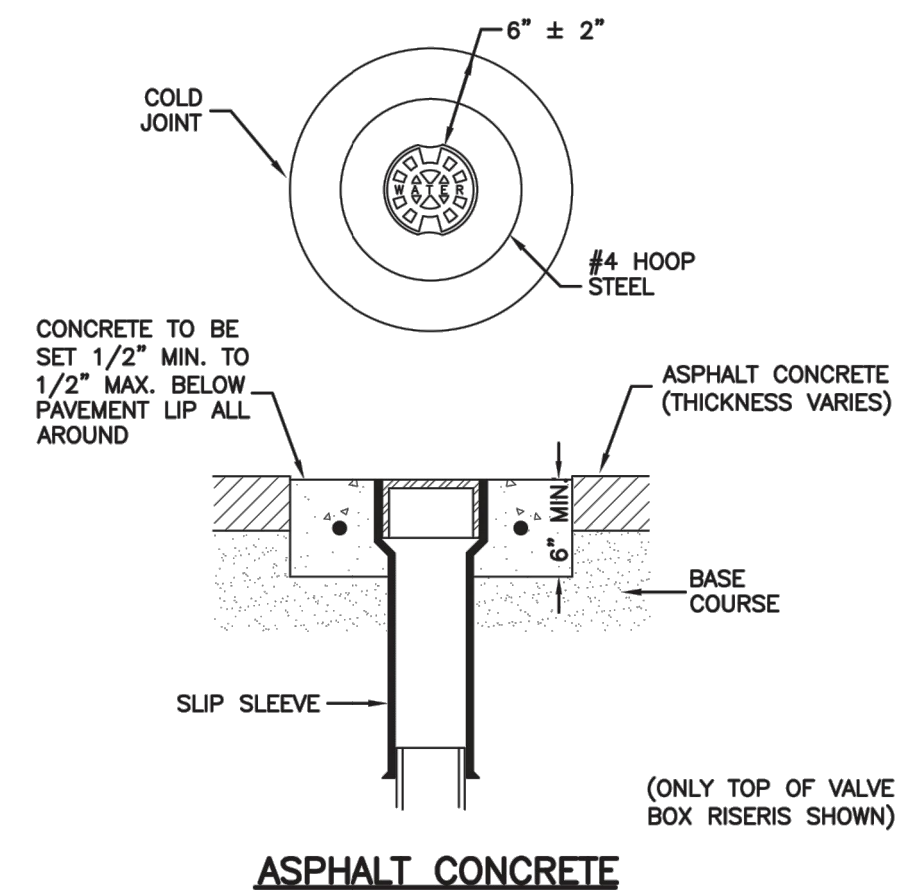
TYPE A RESTRAINT
 FOR 11 1/4" - 22 1/2" VERTICAL BENDS

PIPE SIZE NOMINAL DIAMETER - INCH	VERTICAL BEND IN DEGREES	CONCRETE BLOCKING IN CUBIC FEET	SIDE OF CUBE - FEET	DIAMETER OF SHANK OR REBAR RODS - INCH	DEPTH OF ROD CONCRETE - FEET
4"	11 1/4"	8	2.0	5/8"	1.5
	22 1/2"	15.6	2.5	5/8"	2.0
6"	11 1/4"	15.6	2.5	5/8"	2.0
	22 1/2"	34.3	3.25	5/8"	2.0
8"	11 1/4"	27	3.0	5/8"	2.0
	22 1/2"	64	4.0	5/8"	2.0
12"	11 1/4"	64	4.0	5/8"	2.0
	22 1/2"	125	5.0	3/4"	3.0
16"	11 1/4"	107	4.25	7/8"	3.0
	22 1/2"	216	6.0	7/8"	3.0
20"	11 1/4"	138	5.17	1"	3.5
	22 1/2"	334	6.94	1"	4.0
24"	11 1/4"	240	6.22	1"	4.0
	22 1/2"	478	7.81	1"	4.0
30"	11 1/4"	369	7.17	1"	4.0
	22 1/2"	733	9.02	1"	4.0

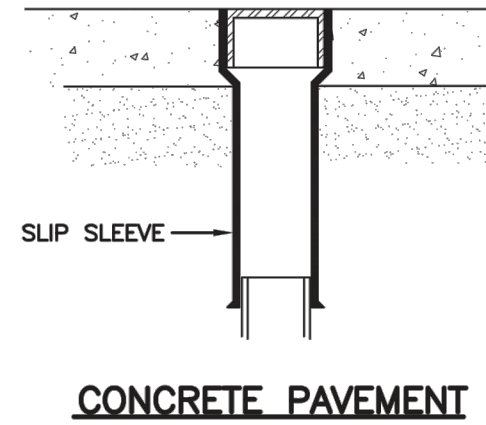


TYPE B RESTRAINT
 FOR 45° VERTICAL BENDS

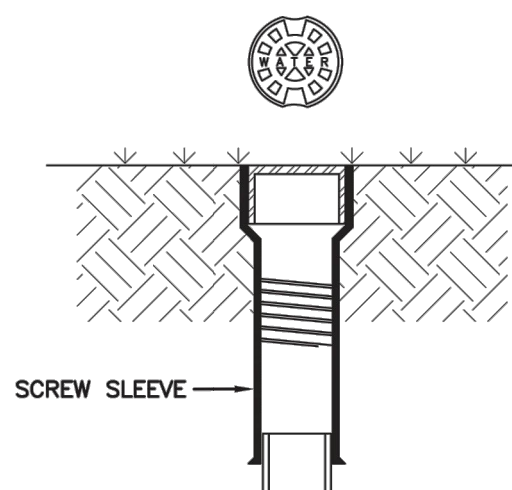
PIPE SIZE NOMINAL DIAMETER - INCH	VERTICAL BEND IN DEGREES	CONCRETE BLOCKING IN CUBIC FEET	SIDE OF CUBE - FEET	DIAMETER OF SHANK OR REBAR RODS - INCH	DEPTH OF ROD CONCRETE - FEET
4"	45°	1	3.0	5/8"	2.0
6"		2.37	4.0	5/8"	2.5
8"		3.97	4.75	5/8"	3.0
12"		9.04	6.25	5/8"	4.0
16"		17.24	7.75	3/4"	4.0
20"		26.52	9.25	3/4"	4.0
24"		37.82	10.07	3/4"	4.0
30"		58.26	11.63	3/4"	4.0



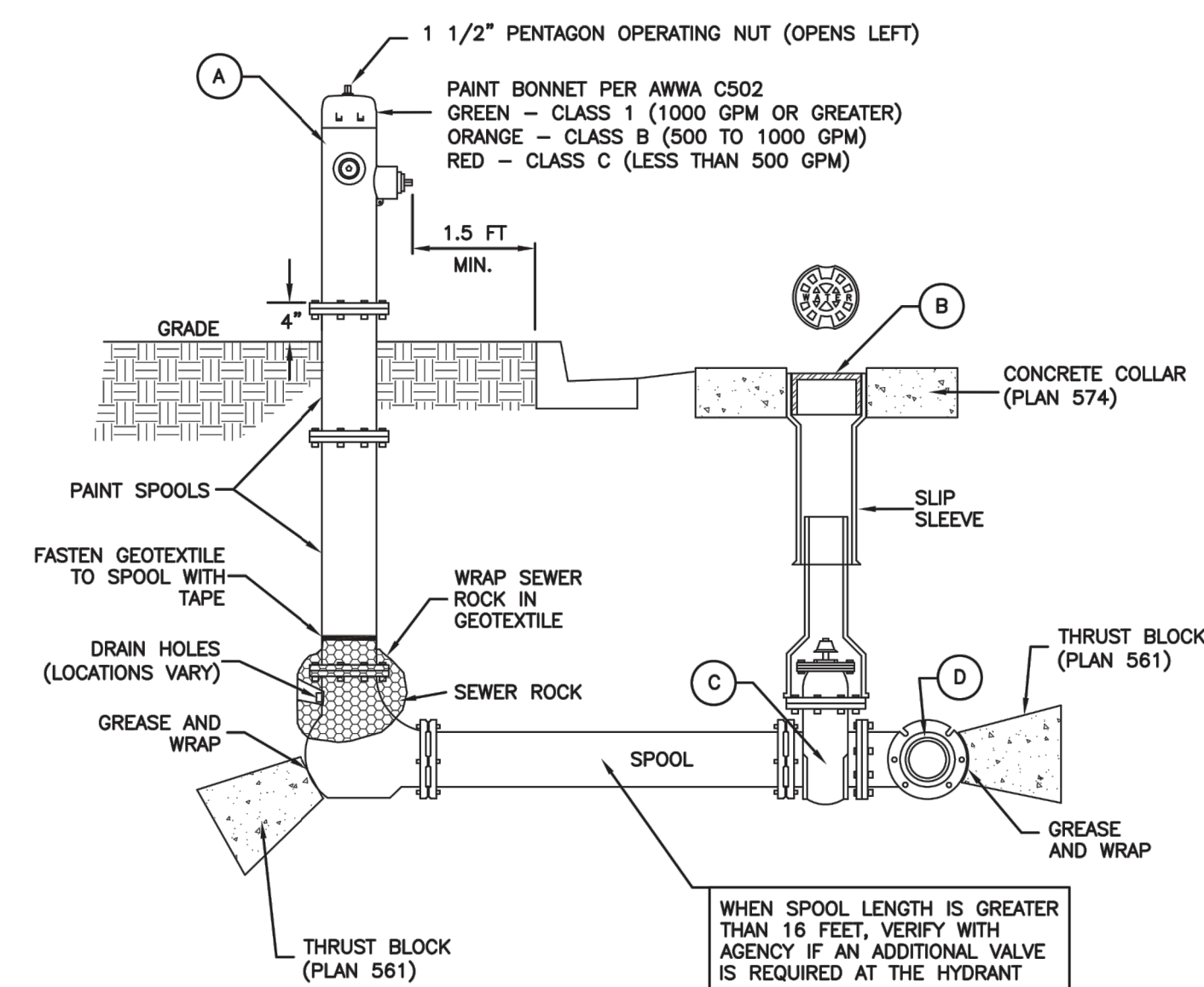
ASPHALT CONCRETE



CONCRETE PAVEMENT



LANDSCAPED AREA

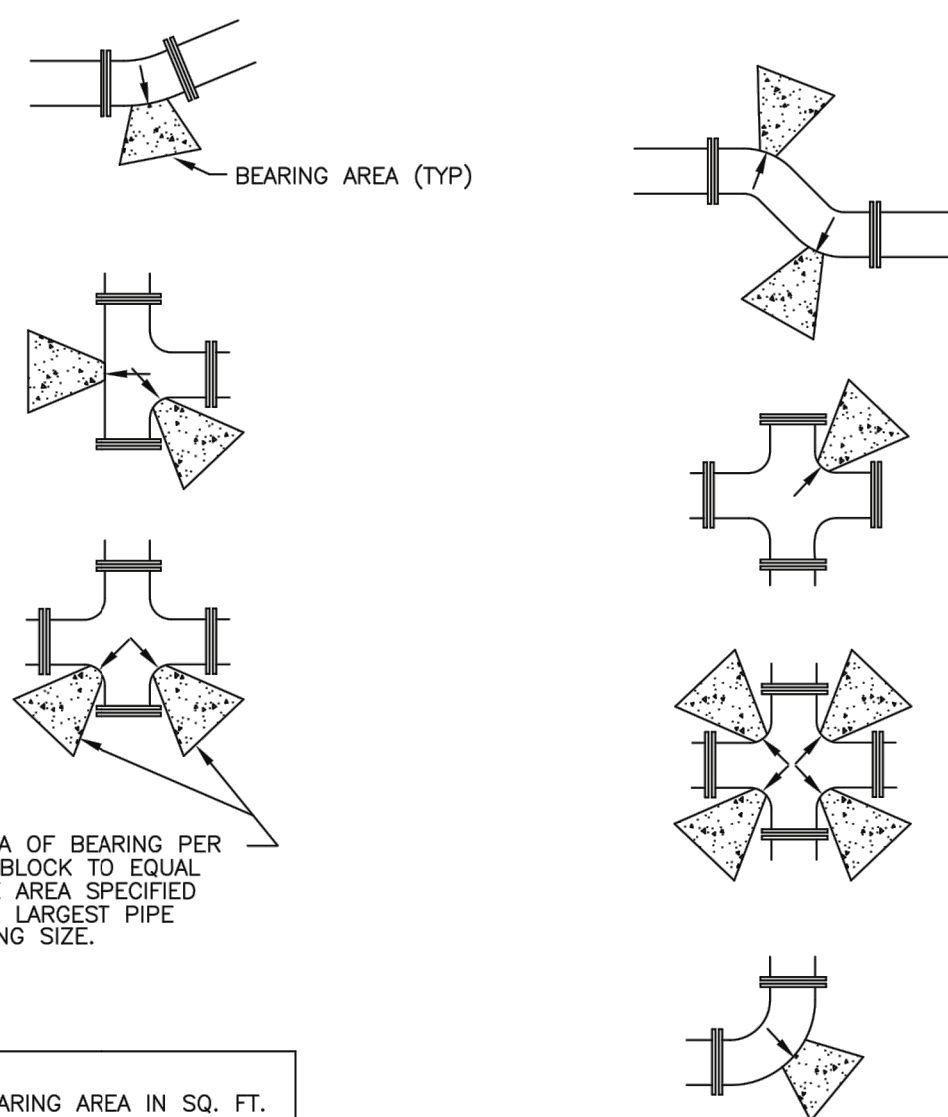


No.	ITEM	DESCRIPTION
(A)	FIRE HYDRANT	AWWA C502
(B)	VALVE BOX WITH LID	2-PIECE CAST IRON
(C)	GATE VALVE WITH 2" X 2" NUT	AWWA C509
(D)	TEE WITH 125 # FLANGE	AWWA C110

* FURNISHED BY UTILITY AGENCY

SECTION

Plan 562
 April 1997 Tie-down thrust restraints 269



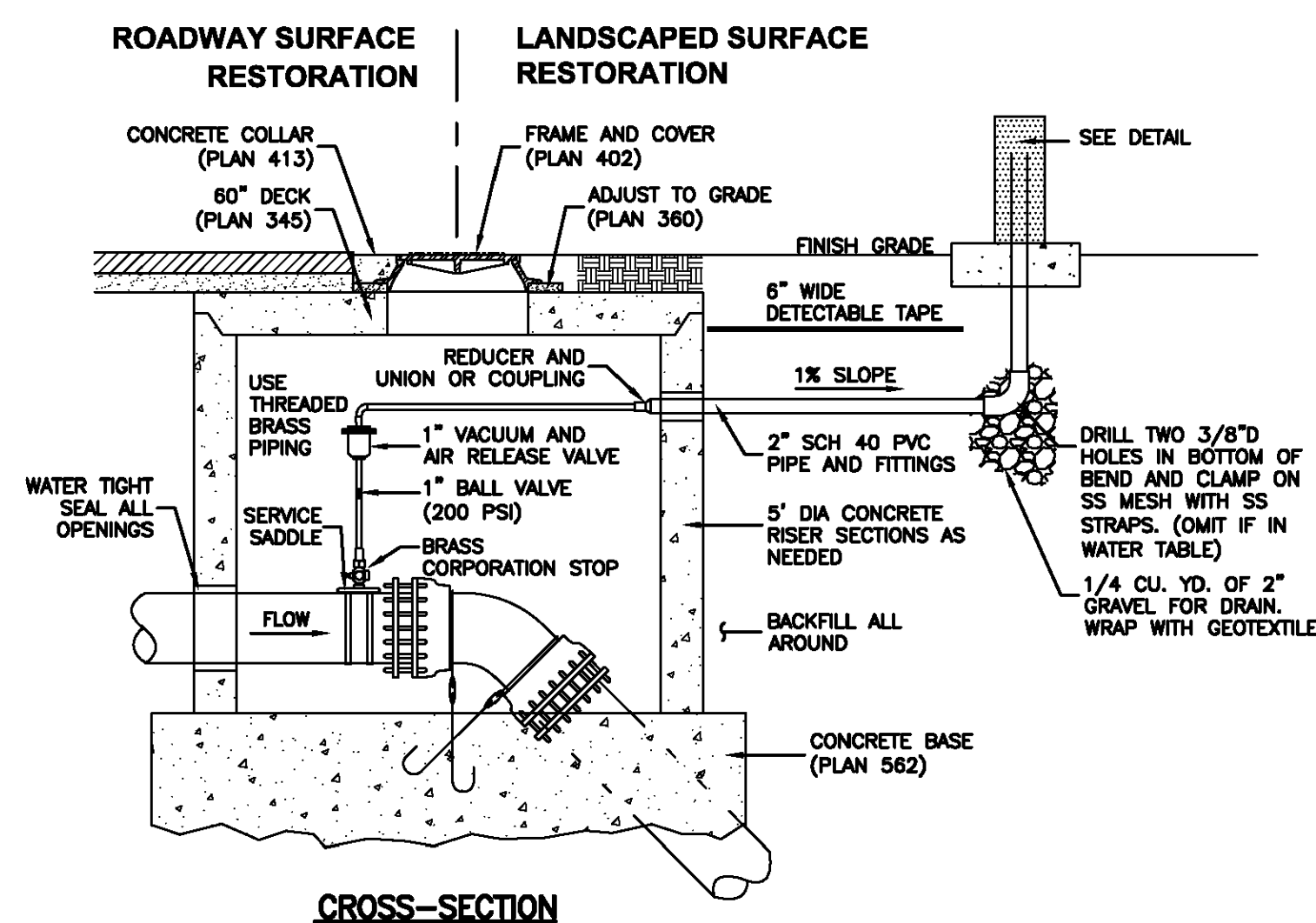
THE AREA OF BEARING PER THRUST BLOCK TO EQUAL 1/2 THE AREA SPECIFIED FOR THE LARGEST PIPE OR FITTING SIZE.

SIZE OF PIPE	TEES, VALVES, DEAD ENDS	90° BENDS	45° BENDS	22 1/2° BENDS	11 1/4° BENDS
4"	2	3	2	2	2
6"	4	5.5	3	1.5	1
8"	6.5	9.5	5	2.75	1.5
12"	14	20	11	5.5	3
14"	19	26.5	14.5	7.5	4
16"	24	34	18.5	9.5	6
20"	27	52	28.5	14.5	16
24"	53	74	41	21	53
30"	81	114	62	32	16

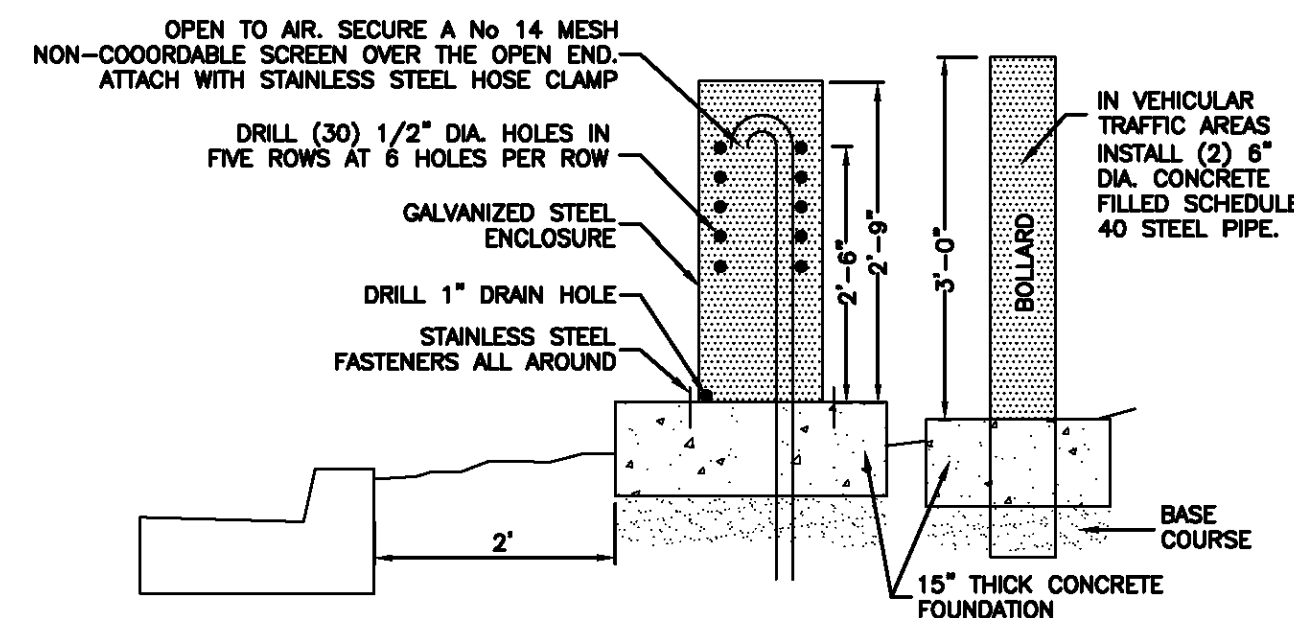
Direct bearing thrust block

April 1997 Plan No. 561 239

Plan 574
 August 2010 Cover collar for water valve box 277



CROSS-SECTION



DETAIL

February 2011 Plan 575 279

Plan 511
 February 2011 Fire hydrant with valve 237

REVISIONS
 NO. BY DATE
 The engineer preparing these plans will not be responsible for, or liable for, unauthorized changes to or uses of these plans. Any such changes or uses must be approved by the preparer of these plans.

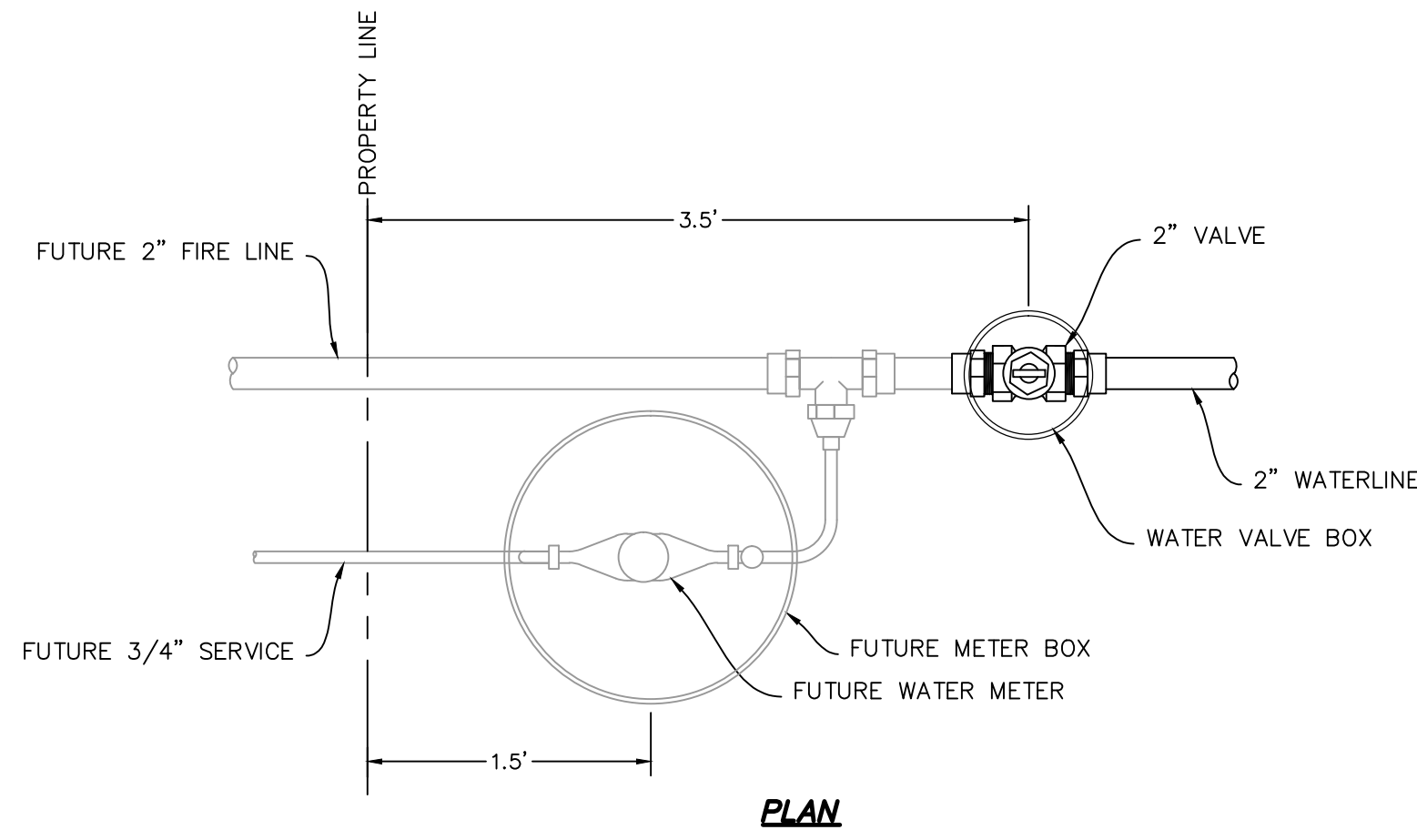
SUMMIT EDEN PHASE 1E/1F/1G
WATER DETAILS

NV5
 BEYOND ENGINEERING
 5217 SOUTH STATE STREET, SUITE 200
 801743.000 TEL. 801743.000 FAX
 MURRAY, UT 84107
 WWW.NV5.COM

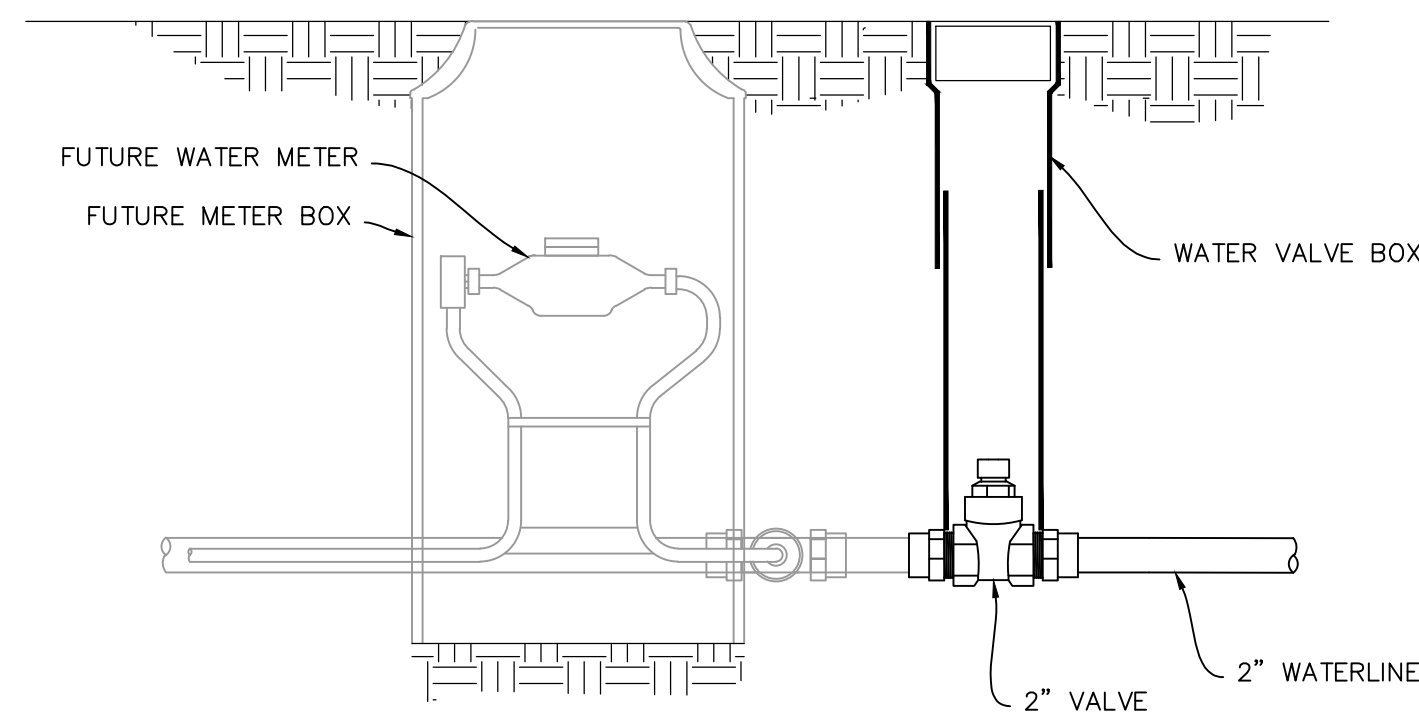
REGISTERED PROFESSIONAL ENGINEER
 No. 7899506
 RYAN W. CATHEY
 7/7/15
 STATE OF UTAH

SHEET NUMBER
5.01
 SCALE
 VERTICAL: 1" = N/A
 HORIZONTAL: 1" = N/A
 JOB NUMBER
SLB0793





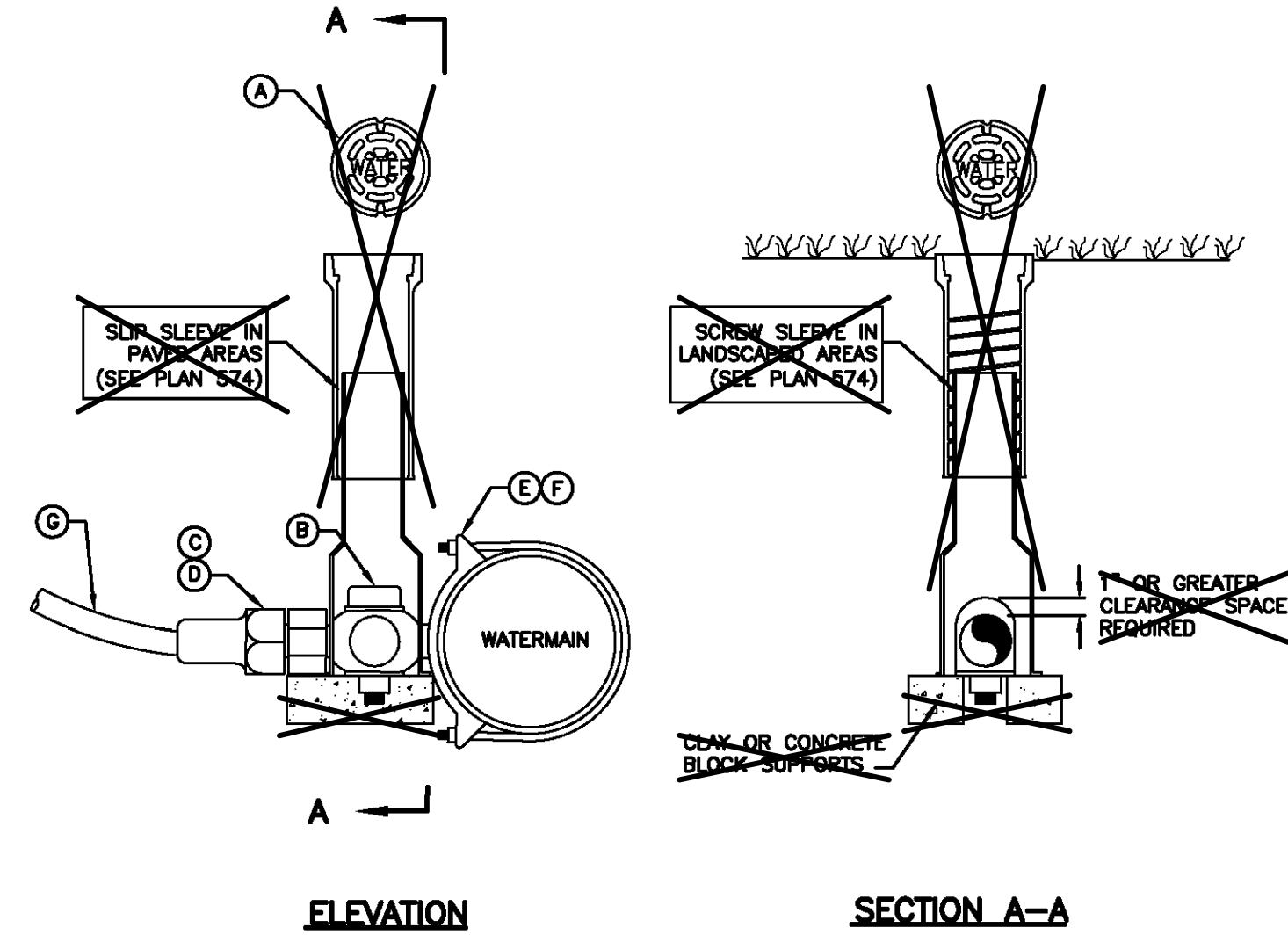
PLAN



SECTION

NOTE:
 FUTURE SIZES ARE PRELIMINARY.
 ACTUAL SIZE TO BE DETERMINED
 BY BUILDING DESIGNER

WATER LATERAL DETAIL
 NO SCALE



ELEVATION

SECTION A-A

LEGEND			
No.	*	ITEM	DESCRIPTION
(A)		VALVE BOX WITH LID	2-PIECE CAST IRON
(B)		CORPORATION STOP	BRASS
(C)		COPPER ADAPTER	
(D)		FLARE OR PACK JOINT COPPER ADAPTER	
(E)		SERVICE SADDLE CLAMP	D.I., A.C., C.I.
(F)		SERVICE SADDLE CLAMP	P.V.C.
(G)		COPPER PIPE (SERVICE LINE)	TYPE K (SOFT)

OMIT VALVE BOX

1 1/2" and 2" Service taps

August 2001

265

Plan 552

NO.	BY	DATE	REVISIONS

The engineer preparing these plans will not be responsible for, or liable for, unauthorized changes to or uses of these plans. Any such changes or uses must be approved by the preparer of these plans.

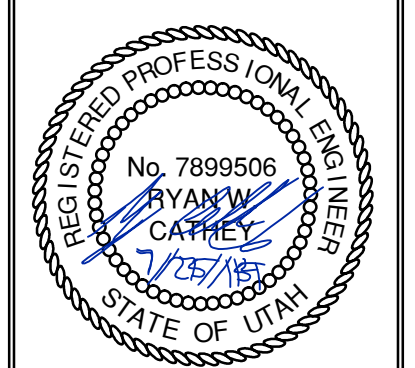
SUMMIT EDEN PHASE 1E/1F/1G
WATER DETAILS

DATE SUBMITTED: 7/17/2015

PREPARED FOR: SUMMIT MOUNTAIN HOLDING GROUP, LLC

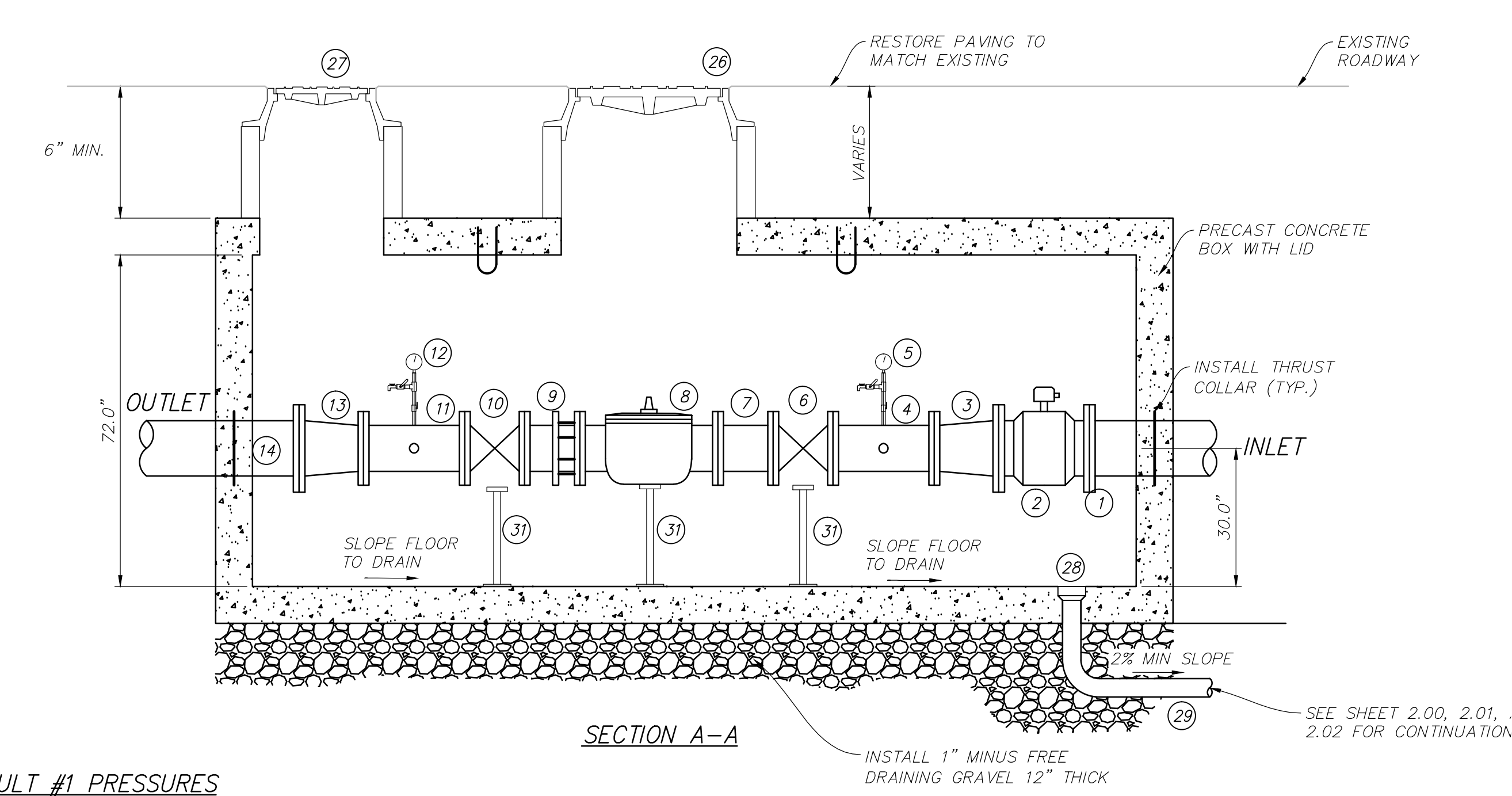
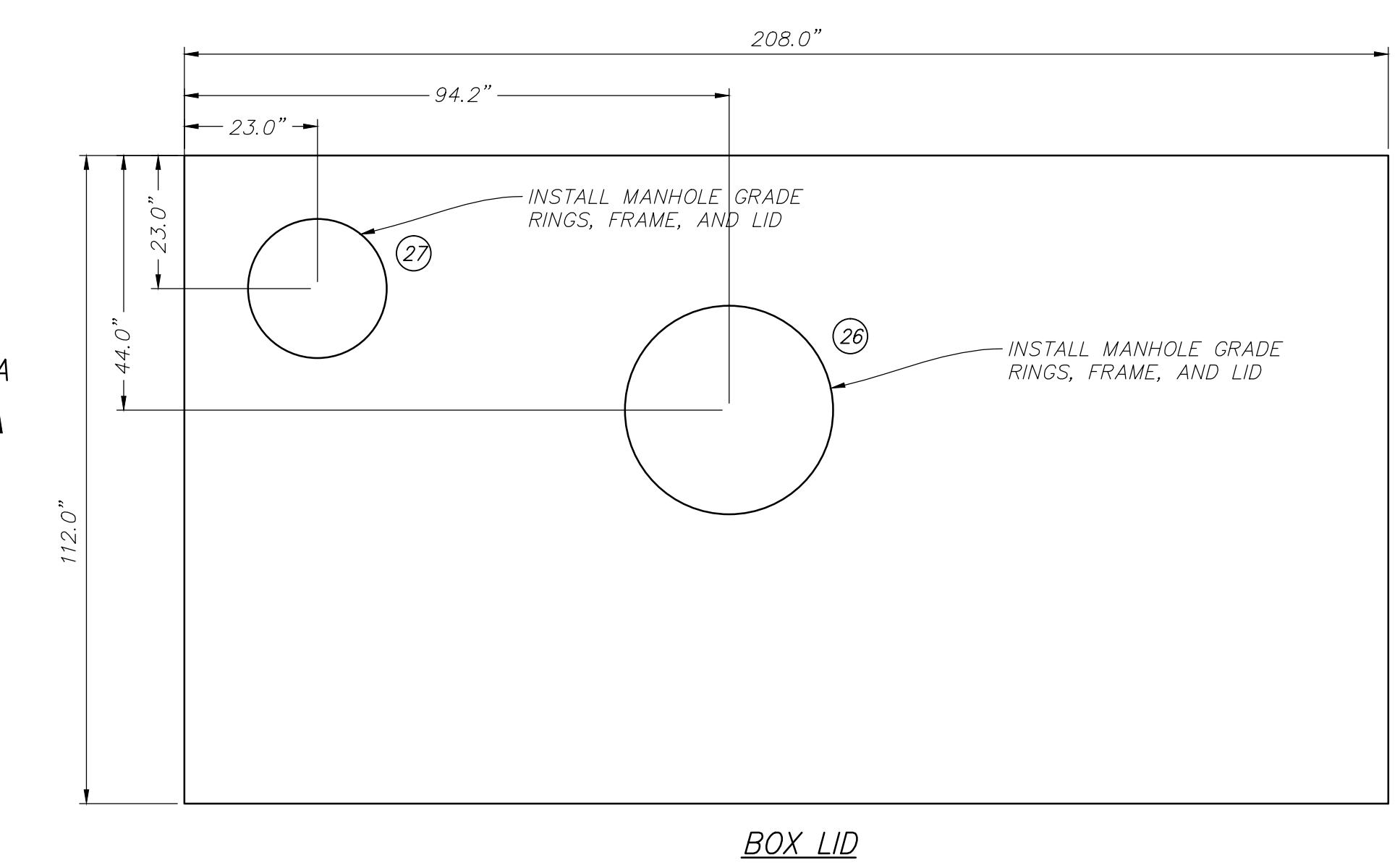
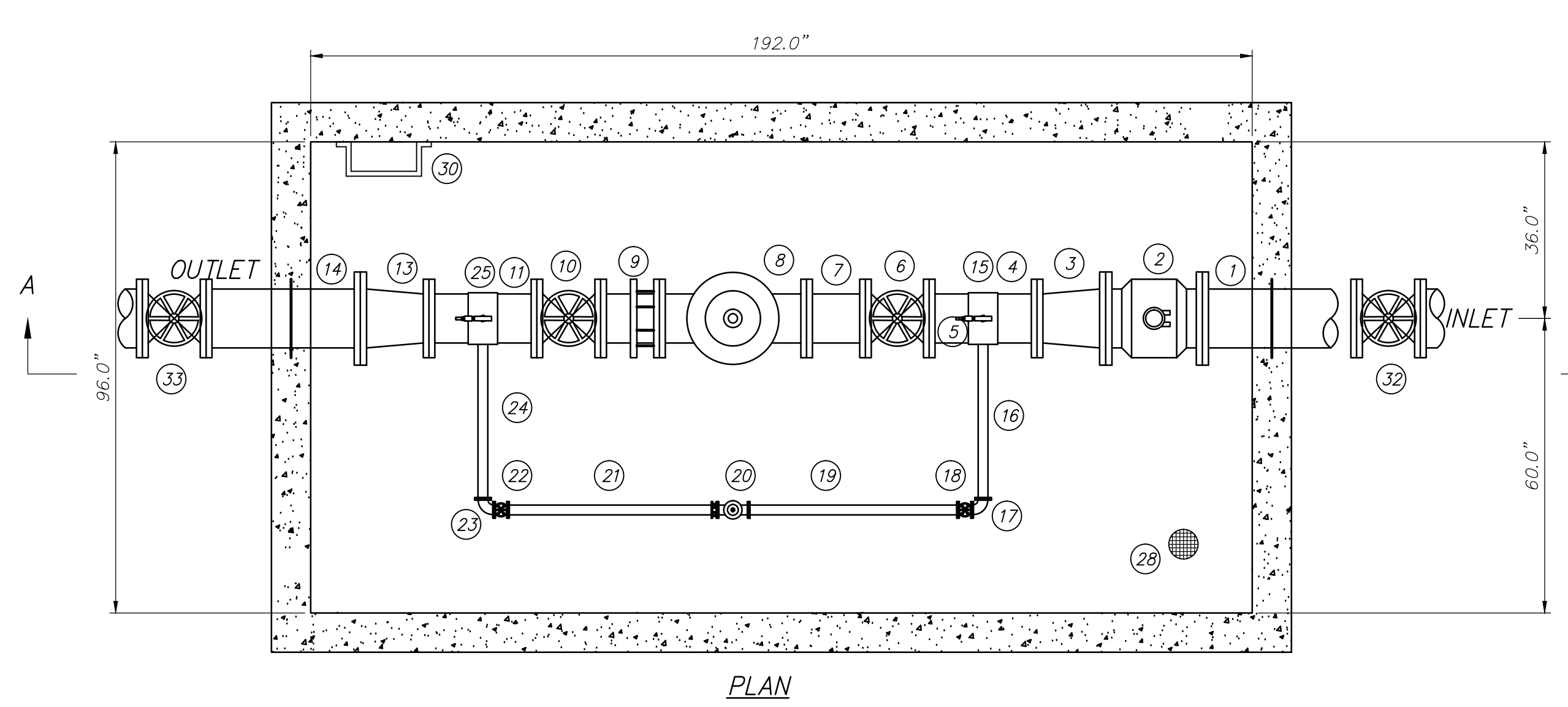


6217 SOUTH STATE STREET, SUITE 200
 801743.0900 TEL 801743.0900 FAX
 MURRAY, UT 84107
 WWW.NIV5.COM



SHEET NUMBER	5.02
SCALE	VERTICAL: 1" = N/A HORIZONTAL: 1" = N/A
JOB NUMBER	SLB0793





Number	Description	Make	Size/Dia.	Length	Action
1	INLET		10	(1)	INSTALL NEW
2	METER		8	-	INSTALL NEW KROHNE ENVIROMAG 2000 METER
3	SPOOL		8	14	INSTALL NEW
4	SPOOL		8	22	INSTALL NEW
5	GAUGE TREE		-	-	INSTALL NEW PER DETAIL B, THIS SHEET
6	GV	MUELLER	8	13	INSTALL NEW
7	SPOOL		8	(1)	INSTALL NEW
8	PRV	CLA-VAL	8	30	INSTALL NEW CLA-VAL MODEL 90-01
9	SPOOL		8	(1)	INSTALL NEW, FLXPE w/FLXMJ ADAPTER
10	GV	MUELLER	8	13	INSTALL NEW
11	SPOOL		8	22	INSTALL NEW
12	GAUGE TREE		-	-	INSTALL NEW PER DETAIL B, THIS SHEET
13	SPOOL		8	14	INSTALL NEW
14	OUTLET		10	(1)	INSTALL NEW
15	4" SADDLE TAP		8	-	INSTALL NEW
16	SPOOL		4	(1)	INSTALL NEW
17	90 BEND		4	-	INSTALL NEW
18	GV	MUELLER	4	11.5	INSTALL NEW
19	SPOOL		4	(1)	INSTALL NEW
20	PRV	CLA-VAL	4	25.5	INSTALL NEW CLA-VAL MODEL 90-01
21	SPOOL		4	(1)	INSTALL NEW, FLXPE w/FLXMJ ADAPTER
22	GV	MUELLER	4	11.5	INSTALL NEW
23	90 BEND		4	-	INSTALL NEW
24	SPOOL		4	(1)	INSTALL NEW
25	4" SADDLE TAP		8	-	INSTALL NEW
26	MH and COVER		36	-	INSTALL NEW
27	MH and COVER		24	-	INSTALL NEW
28	5" FLOOR DRAIN		5	-	INSTALL NEW
29	4" PVC DRAIN PIPE		4	-	INSTALL NEW
30	POLYPROPYLENE MANHOLE STEPS		-	-	INSTALL NEW SPACED AT 12" O.C. PER MANUFACTURER'S SPECIFICATIONS
31	PIPE SUPPORT		-	-	INSTALL NEW PER DETAIL D, THIS SHEET
32	GV	MUELLER	10	-	INSTALL NEW
33	GV	MUELLER	10	-	INSTALL NEW

(1) ADJUST SPOOL LENGTH TO FIT NEW VAULT.
 (2) PIPE MATERIAL TO BE EPOXY COATED DUCTILE IRON OR STAINLESS STEEL.
 (3) TRANSITION FROM HDPE TO DI 6" BEFORE AND AFTER THE VAULT. ALL MATERIAL INSIDE THE VAULT SHALL BE EPOXY COATED DUCTILE IRON OR STAINLESS STEEL.

PRV VAULT #1 PRESSURES

MAINLINE PRESSURE
 -INLET: 100 PSI
 -OUTLET: 40 PSI

BYPASS PRESSURE
 -INLET: 100 PSI
 -OUTLET: 40 PSI

PRV VAULT #2 PRESSURES

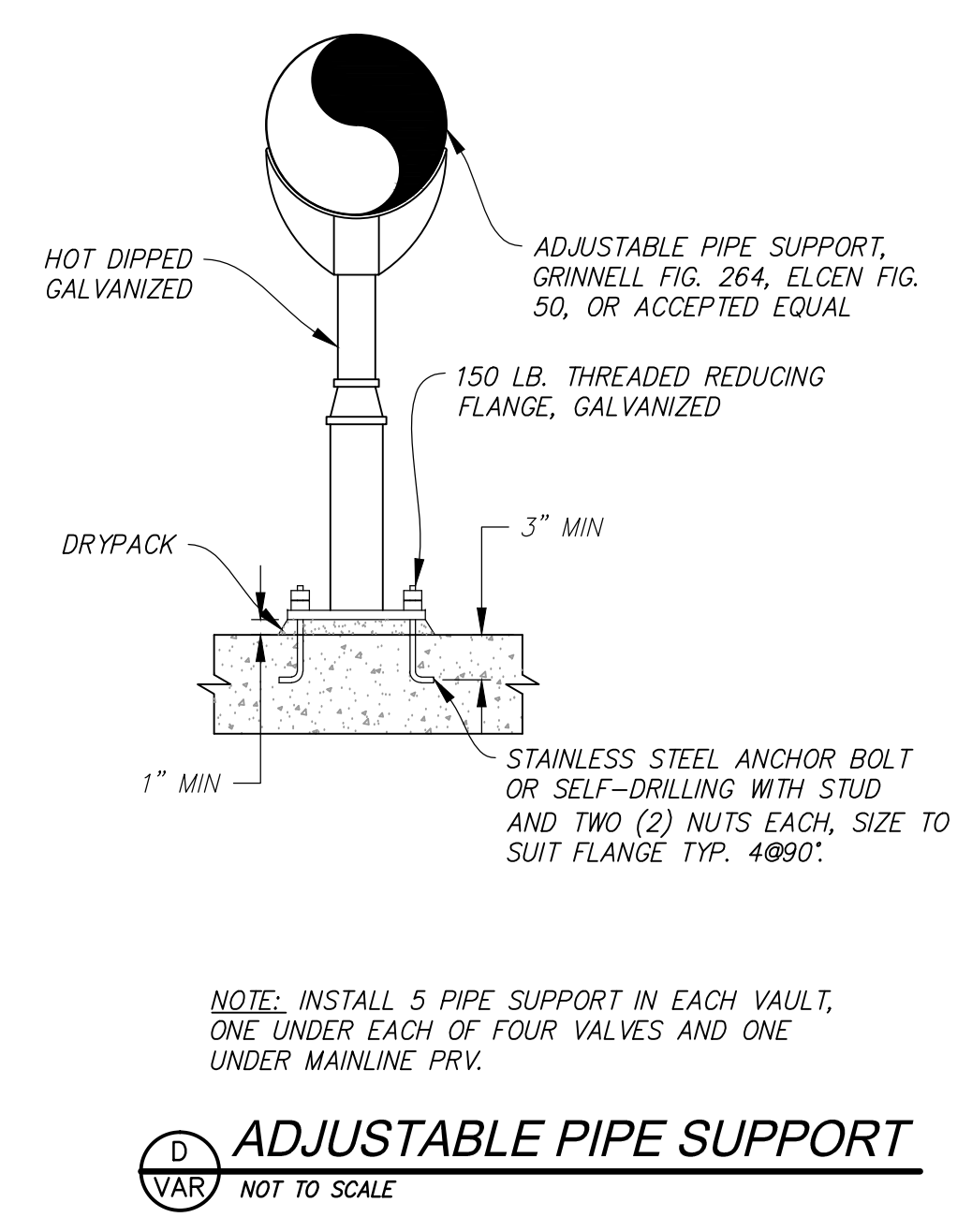
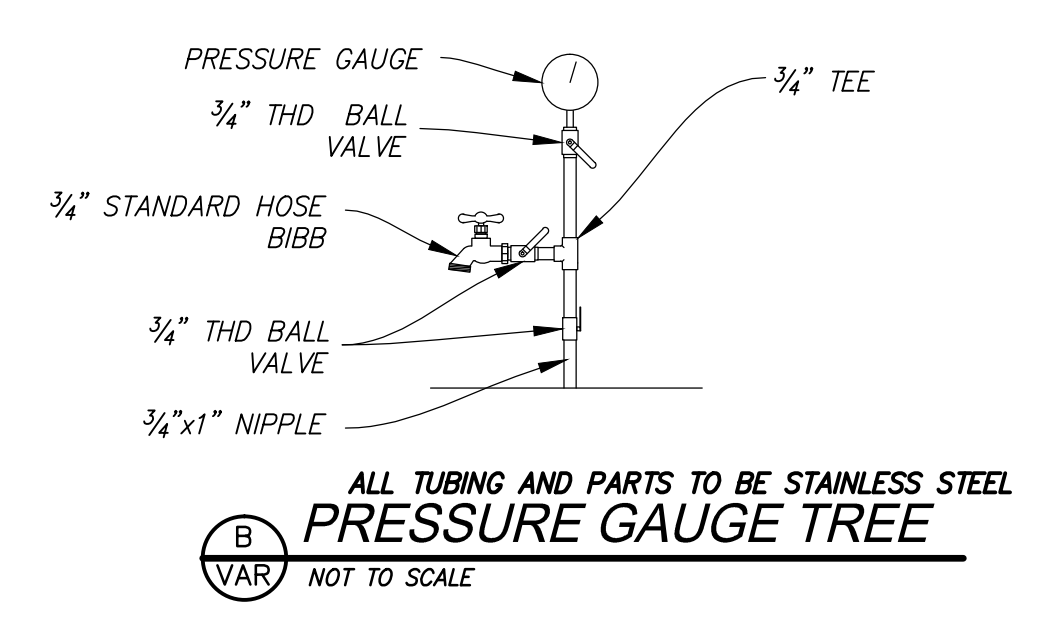
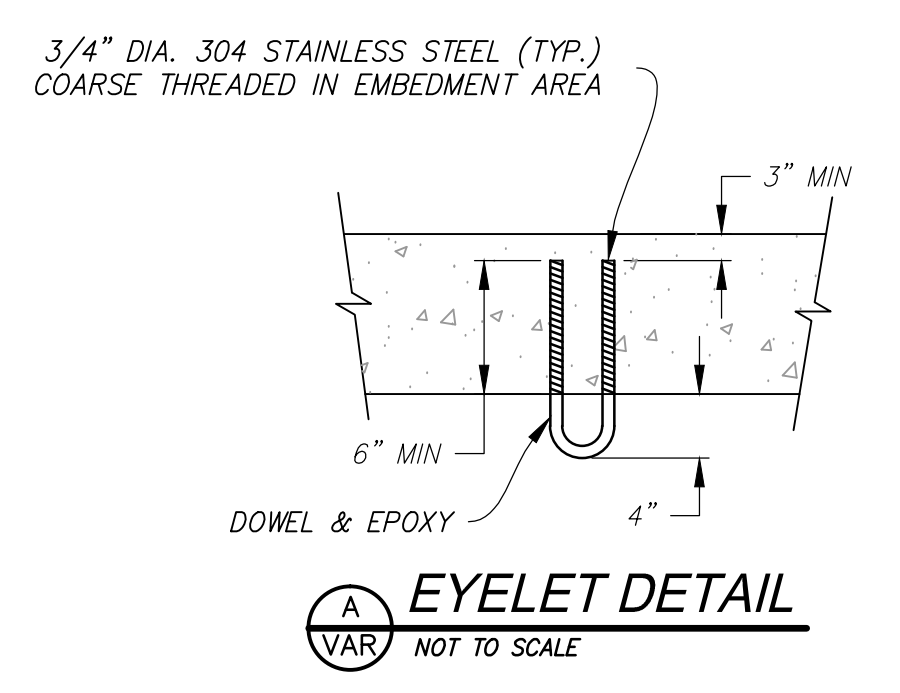
MAINLINE PRESSURE
 -INLET: 100 PSI
 -OUTLET: 40 PSI

BYPASS PRESSURE
 -INLET: 100 PSI
 -OUTLET: 40 PSI

PRV VAULT #3 PRESSURES

MAINLINE PRESSURE
 -INLET: 100 PSI
 -OUTLET: 40 PSI

BYPASS PRESSURE
 -INLET: 100 PSI
 -OUTLET: 40 PSI



NO.	BY	DATE	REVISIONS

**SUMMIT EDEN PHASE 1E/1F/1G
 WATER VAULT PLANS**

NV5
 BEYOND ENGINEERING
 5217 SOUTH STATE STREET, SUITE 200
 801743.0000 TEL. 801743.0000 FAX
 MURRAY, UT 84107
 WWW.NV5.COM

REGISTERED PROFESSIONAL ENGINEER
 No. 7899506
 RYAN W. CATHEY
 7/7/15
 STATE OF UTAH

SHEET NUMBER
5.03

SCALE
 VERTICAL: 1" = N/A
 HORIZONTAL: 1" = N/A

JOB NUMBER
SLB0793

DATE SUBMITTED: 7/7/2015

PREPARED FOR: SUMMIT MOUNTAIN HOLDING GROUP, LLC

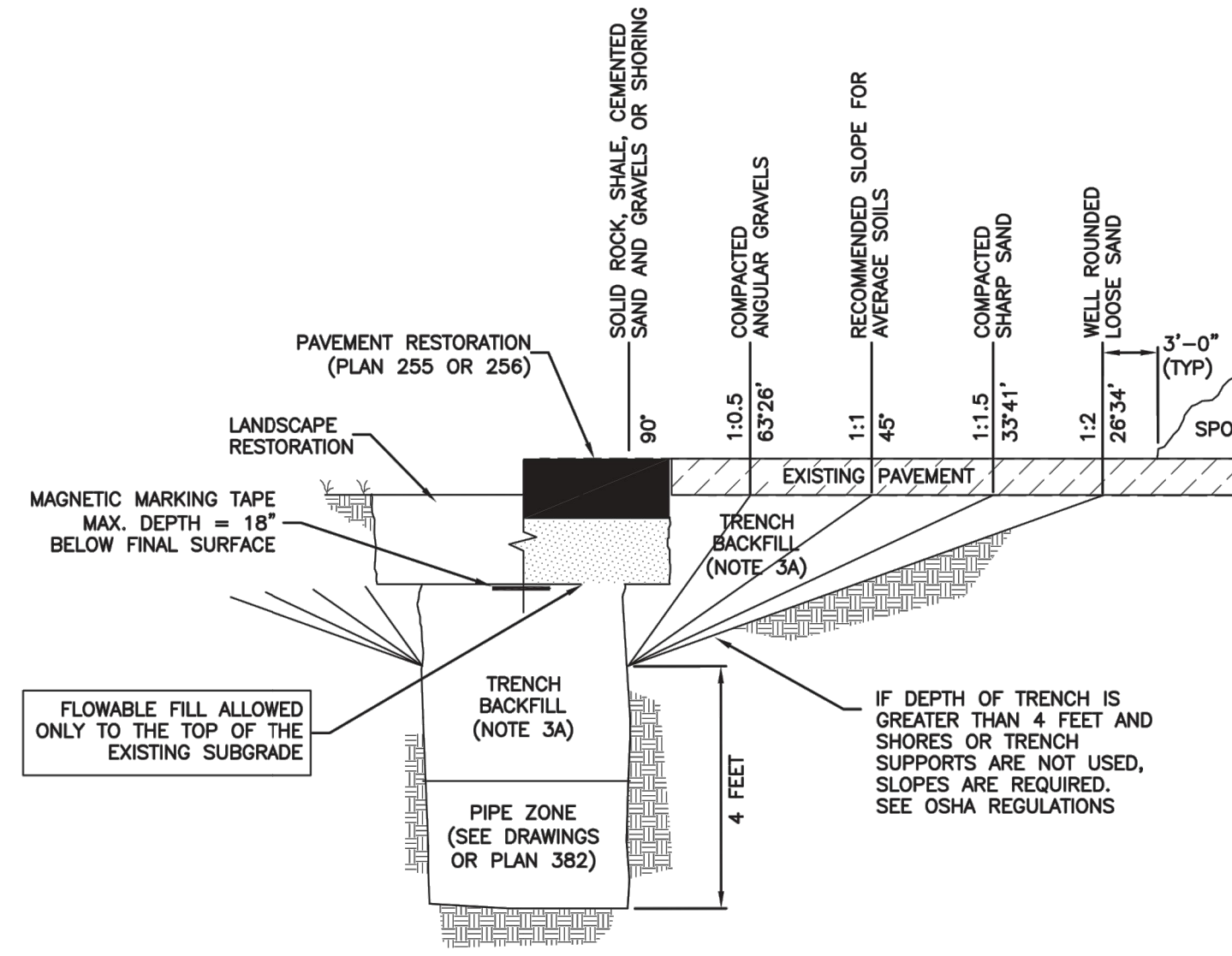
CAUTION

The engineer preparing these plans will not be responsible for, or liable for, unauthorized changes to or uses of these plans, and must be approved by the preparer of these plans.



Trench backfill

1. **GENERAL**
 - A. The drawing applies to backfilling the trench above the pipe zone.
2. **PRODUCTS**
 - A. Backfill: Common fill, APWA Section 31 05 13. Maximum particle size 3-inches.
 - B. Flowable Fill: Target is 60 psi in 28 days with 90 psi maximum in 28 days, APWA Section 31 05 15. It must flow easily requiring no vibration for consolidation.
3. **EXECUTION**
 - A. Trench Backfill:
 - 1) DO NOT USE sewer rock, pea gravel, or recycled RAP aggregate as trench backfill.
 - 2) Maximum lift thickness is 8-inches before compaction. Compaction is 95 percent or greater relative to a standard proctor density, APWA Section 31 23 26.
 - 3) Water jetting is NOT allowed.
 - 4) Submission of quality control compaction test result data developed for haunching areas may be requested by ENGINEER at any time. Provide results of tests immediately upon request.
 - B. Flowable Fill: When required, place controlled low strength material in the trench, APWA Section 31 05 15. Cure the fill before placing surface restorations.
 - C. Surface Restoration:
 - 1) Landscaped Surface: Rake to match existing grade. Replace vegetation to match pre-construction conditions. Follow APWA Section 32 93 00 (turf or grass) or APWA Section 32 93 13 (ground cover) requirements.
 - 2) Paved Surface: Do not install asphalt or concrete surfacing until trench compaction is acceptable to ENGINEER. Follow APWA Section 33 05 25 (asphalt surfacing), or APWA Section 33 05 25 (concrete surfacing).



Trench backfill

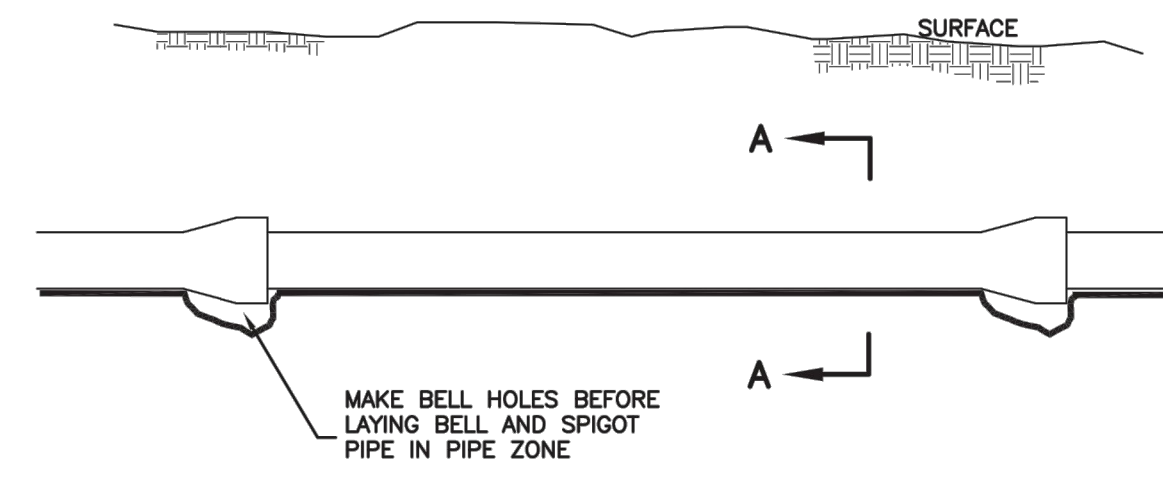
Plan
381

202

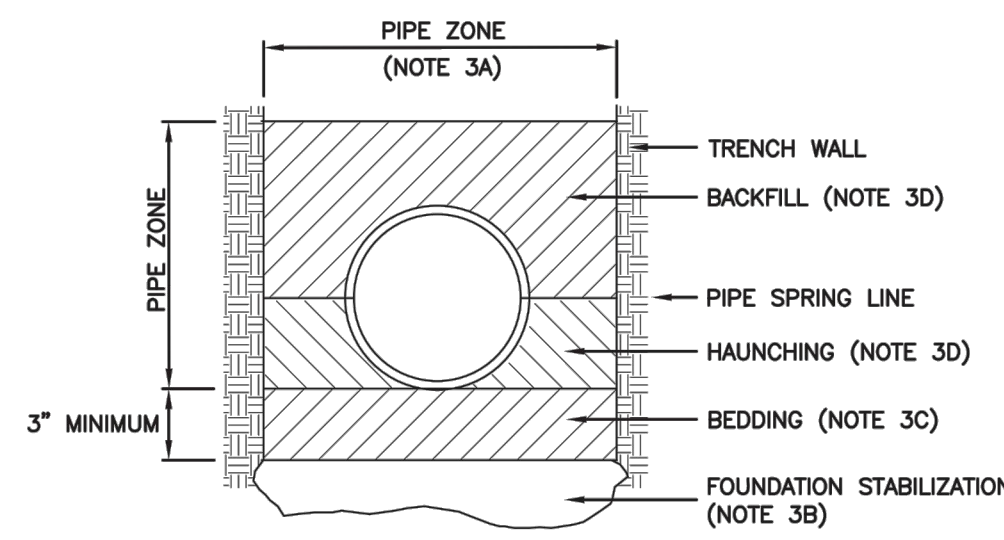
January 2011

Pipe zone backfill

1. **GENERAL**
 - A. Install the pipe in the center of the trench or no closer than 6-inches from the wall of the pipe to the wall of the trench.
2. **PRODUCTS**
 - A. Base Course: Untreated base course, APWA Section 32 11 23. Do not use gravel as a base course without ENGINEER's permission.
 - B. Backfill: Common fill, APWA Section 31 05 13. Maximum particle size 2-inches.
 - C. Concrete: APWA Section 03 30 04.
 - D. Flowable Fill: Target is 60 psi in 28 days with 90 psi maximum in 28 days, APWA Section 31 05 15. It must flow easily requiring no vibration for consolidation.
 - E. Stabilization-Separation Geotextile: Moderate or high at CONTRACTOR's choice, APWA Section 31 05 19.
3. **EXECUTION**
 - A. Excavate the Pipe Zone: Width is measured at the pipe spring line and includes any necessary sheathing. Provide width recommended by pipe manufacturer. Follow manufacturer's recommendations when using trench boxes.
 - B. Foundation Stabilization: Get ENGINEER's permission before installing common fill. Vibrate to stabilize. Installation of stabilization-separation geotextile will be required to separate backfill material and native subgrade materials if common fill cannot provide a working surface or prevent soils migration.
 - C. Base Course:
 - 1) Furnish untreated base course material unless specified otherwise by pipe manufacturer.
 - 2) Maximum lift thickness is 8-inches before compaction. Compaction is 95 percent or greater relative to a modified proctor density, APWA Section 31 23 26.
 - 3) When using concrete, provide at least Class 2,000 per APWA Section 03 30 04.
 - D. Pipe Zone: DO NOT USE sewer rock, pea gravel, or recycled RAP aggregate in the pipe zone. Water jetting is NOT allowed.
 - 1) Maximum lift thickness is 8-inches before compaction. Compaction is 95 percent or greater relative to a modified proctor density, APWA Section 31 23 26 unless pipe manufacturer requires more stringent installation.
 - 2) Submission of quality control compaction test result data developed for the haunch zone may be requested by ENGINEER at any time. CONTRACTOR is to provide results of tests immediately upon request.
 - E. Flowable Fill (when required and if allowed by pipe manufacturer):
 - 1) Place the controlled low strength material. APWA Section 31 05 15.
 - 2) Prevent pipe flotation by installing in lifts and providing pipe restraints as required by pipe manufacturer.
 - 3) Reset pipe to line and grade if pipe "floats" out of position.



ELEVATION VIEW



SECTION A-A

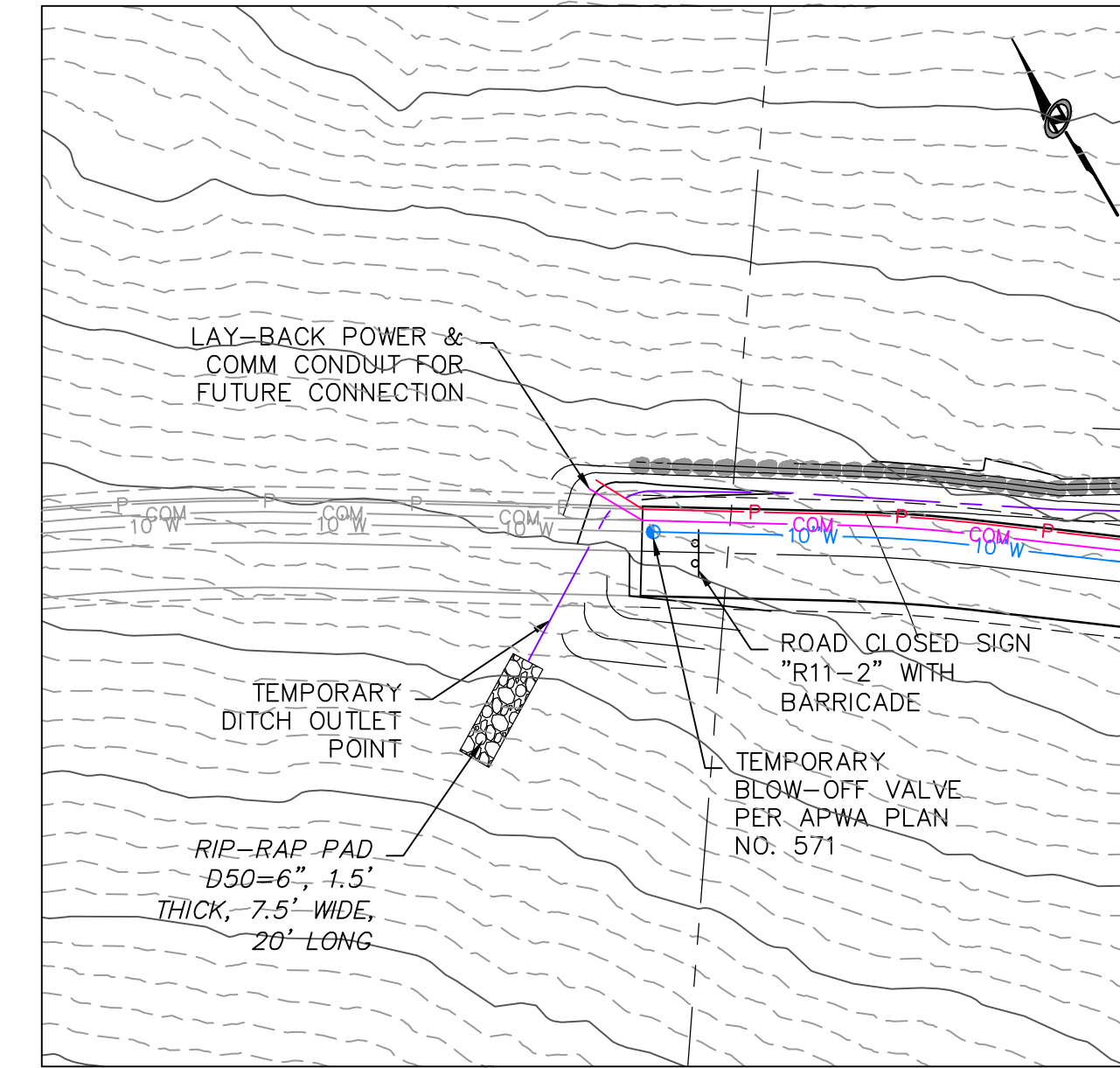
INSTALLATION
 CONCRETE PIPE: FOLLOW ASTM C 1479
 STANDARD PRACTICE FOR INSTALLATION OF PRECAST CONCRETE SEWER, STORM DRAIN, AND CULVERT PIPE USING STANDARD INSTALLATIONS.
 PVC AND HDPE PIPE: FOLLOW ASTM D 2321
 STANDARD PRACTICE FOR UNDERGROUND INSTALLATION OF THERMOPLASTIC PIPE FOR SEWERS AND OTHER GRAVITY-FLOW APPLICATIONS.
 CORRUGATED METAL PIPE: FOLLOW ASTM A 798
 STANDARD PRACTICE FOR INSTALLING FACTORY-WAIVED CORRUGATED STEEL PIPE FOR SEWERS AND OTHER APPLICATIONS.
 VITRIFIED CLAY PIPE: FOLLOW ASTM C 12.
 STANDARD RECOMMENDED PRACTICE FOR INSTALLING VITRIFIED CLAY PIPE LINES.

Pipe zone backfill

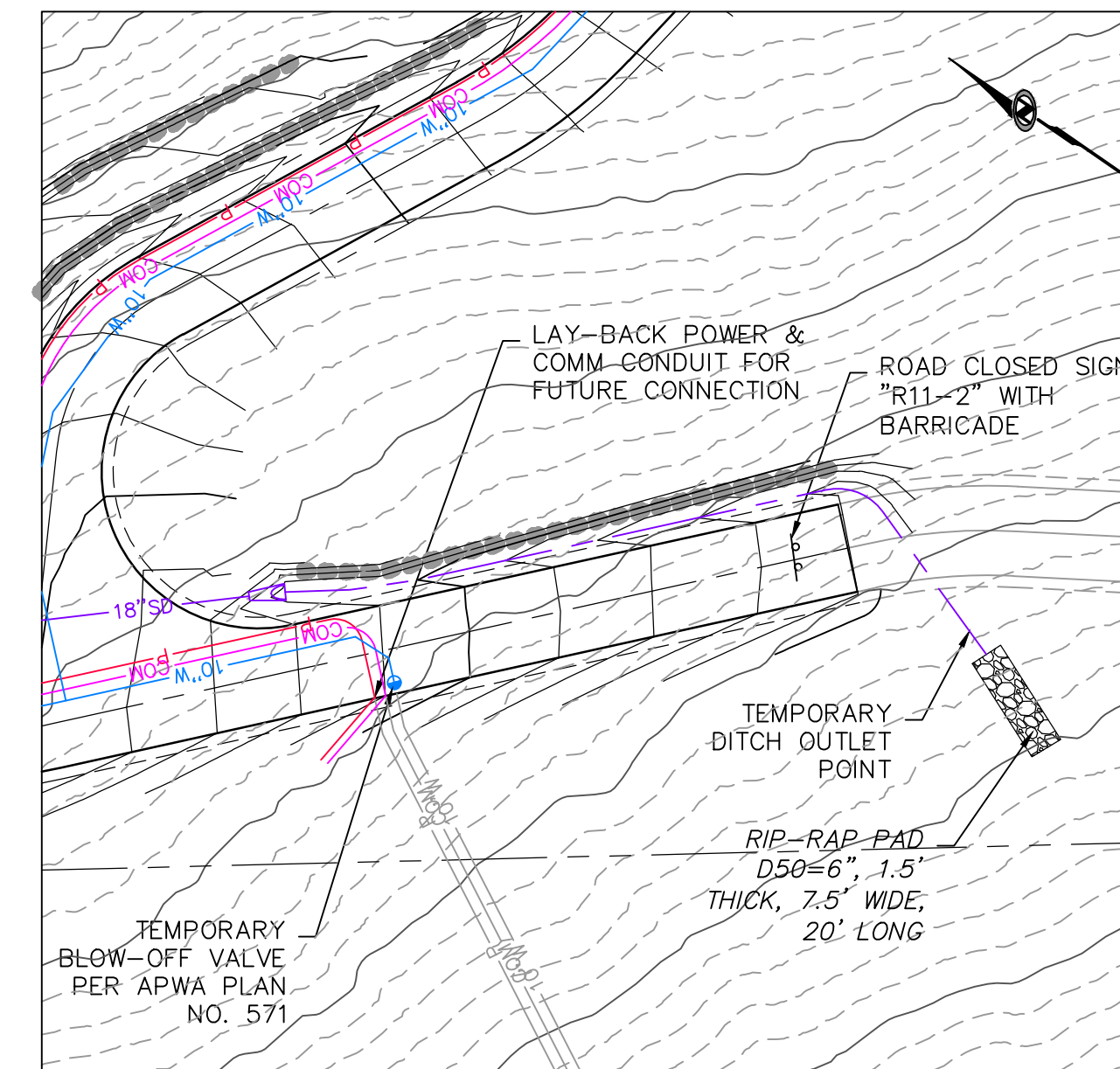
Plan
382

204

January 2011



TEMPORARY TERMINATION POINT
STA: 8+43.38



TEMPORARY TERMINATION POINT
STA: 28+42.72

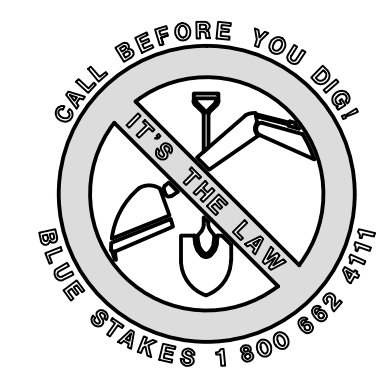
NO.	DATE	BY	REVISIONS

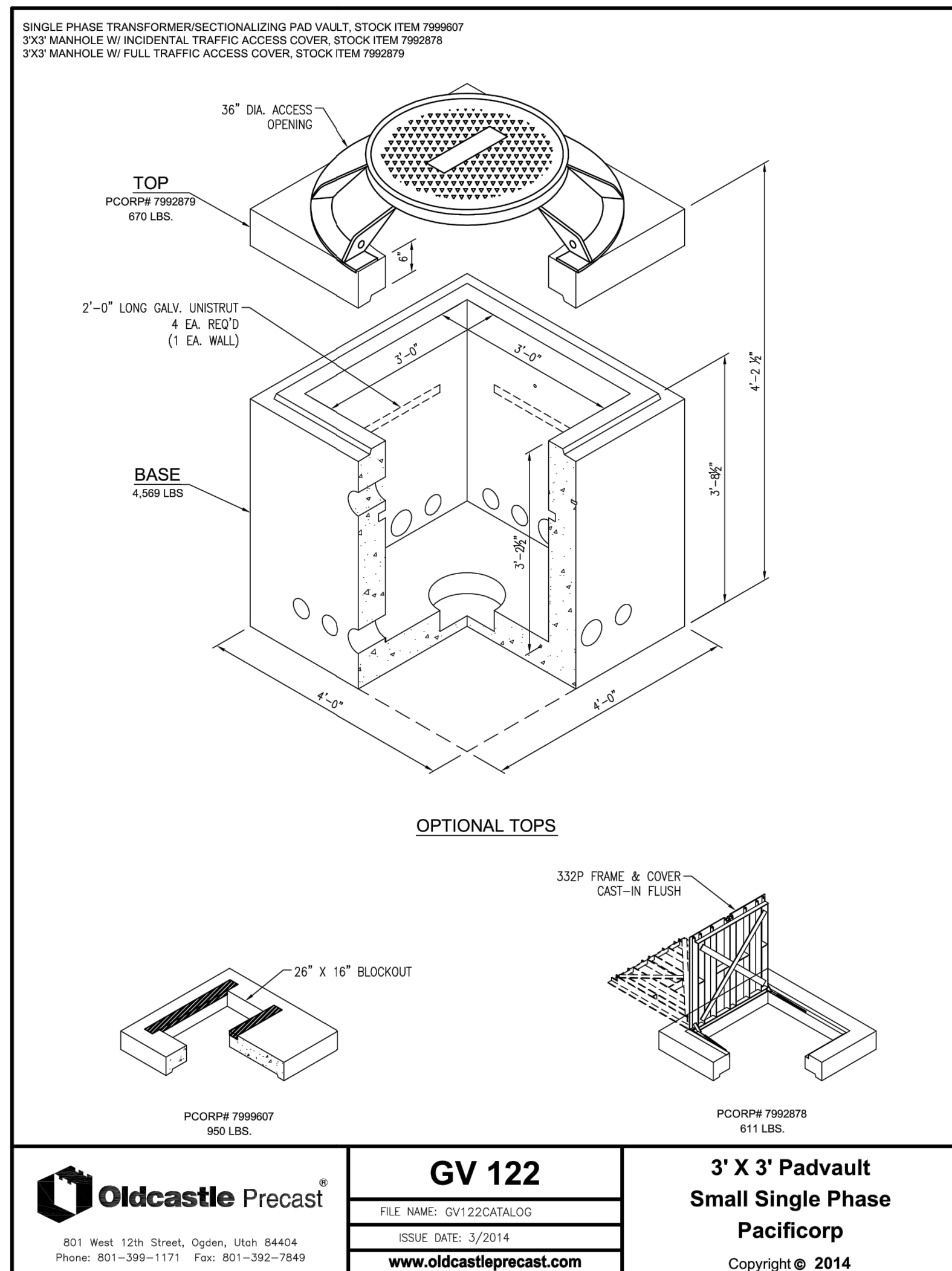
SUMMIT EDEN PHASE 1E/1F/1G
 MISCELLANEOUS DETAILS
 PREPARED FOR: SUMMIT MOUNTAIN HOLDING GROUP, LLC
 DATE SUBMITTED: 7/7/2015

NV5
 BEYOND ENGINEERING
 5217 SOUTH STATE STREET, SUITE 200
 801743.000 TEL 801743.000 FAX
 MURRAY, UT 84107
 WWW.NV5.COM

REGISTERED PROFESSIONAL ENGINEER
 No. 7899506
 RYAN W. CATHEY
 7/7/15
 STATE OF UTAH

SHEET NUMBER
5.10
 SCALE
 VERTICAL: 1" = N/A
 HORIZONTAL: 1" = N/A
 JOB NUMBER
SLB0793

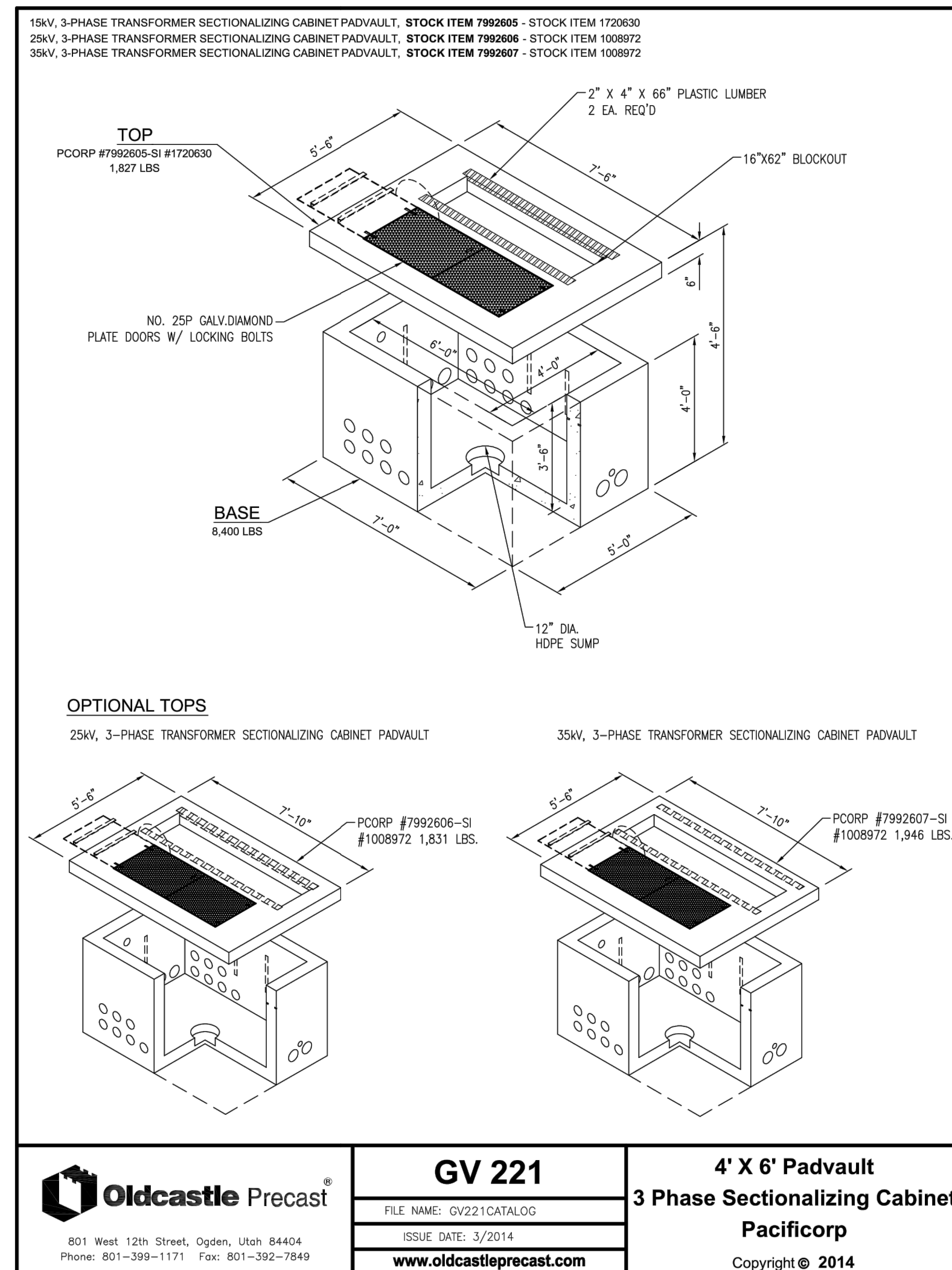




Oldcastle Precast
 801 West 12th Street, Ogden, Utah 84404
 Phone: 801-399-1171 Fax: 801-392-7849

GV 122
 FILE NAME: GV122.CATALOG
 ISSUE DATE: 3/2014
 www.oldcastleprecast.com

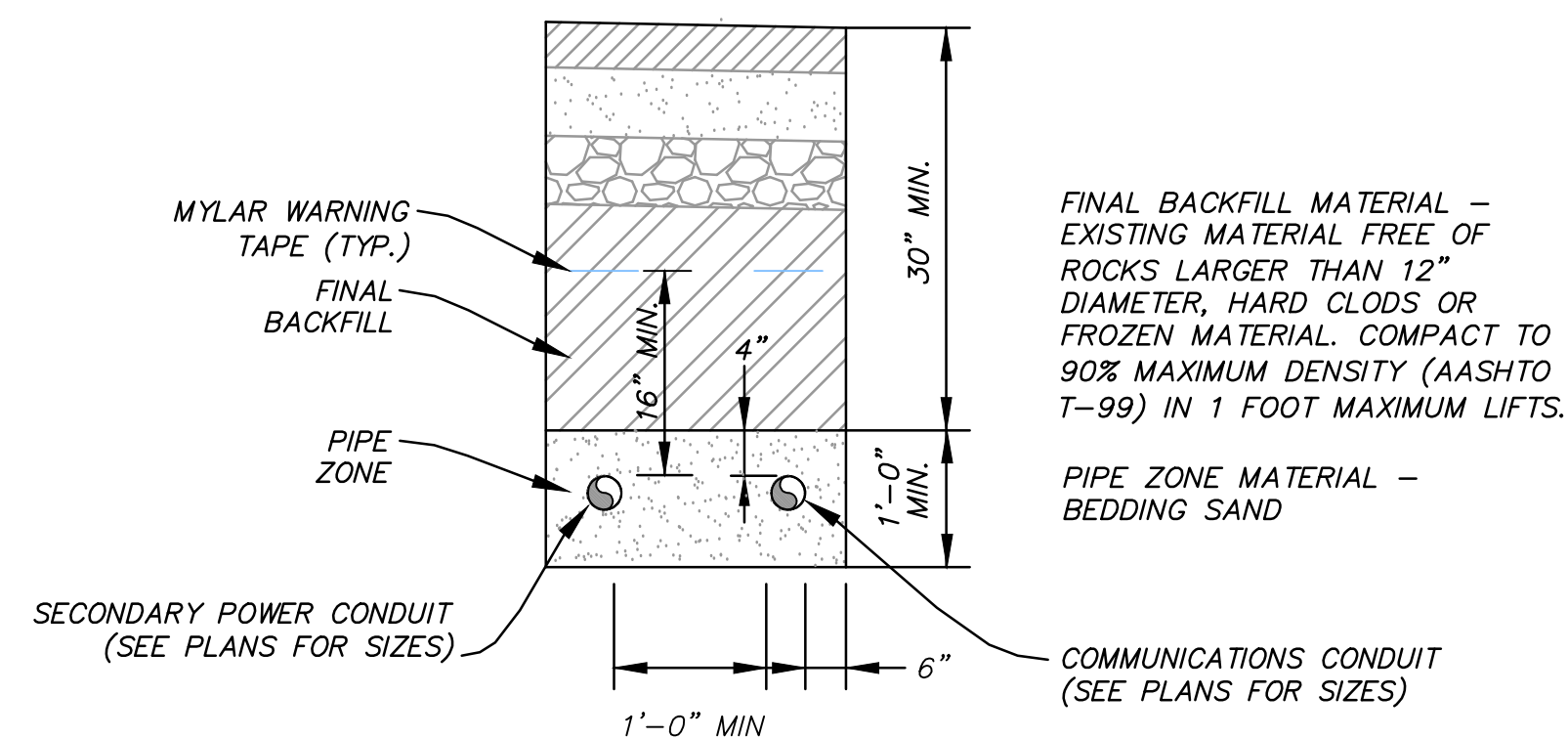
**3' X 3' Padvault
 Small Single Phase
 Pacificorp**
 Copyright © 2014



Oldcastle Precast
 801 West 12th Street, Ogden, Utah 84404
 Phone: 801-399-1171 Fax: 801-392-7849

GV 221
 FILE NAME: GV221.CATALOG
 ISSUE DATE: 3/2014
 www.oldcastleprecast.com

**4' X 6' Padvault
 3 Phase Sectionalizing Cabinet
 Pacificorp**
 Copyright © 2014



NOTE: EACH CONDUIT REQUIRES 2500lb MULE TAPE WITHIN

POWER CONDUIT TRENCH



NO.	BY	DATE	REVISIONS

SUMMIT EDEN PHASE 1E/1F/1G
ELECTRICAL DETAILS

PREPARED FOR: SUMMIT MOUNTAIN HOLDING GROUP, LLC

DATE SUBMITTED: 7/7/2015

NV5
 BEYOND ENGINEERING

627 SOUTH STATE STREET, SUITE 200
 801743.0000 TEL. 801743.0000 FAX
 MURRAY, UT 84107
 WWW.NV5.COM

REGISTERED PROFESSIONAL ENGINEER
 No. 7899506
 RYAN W. CATHEY
 7/7/15
 STATE OF UTAH

SHEET NUMBER
5.20

SCALE
 VERTICAL: 1" = N/A
 HORIZONTAL: 1" = N/A

JOB NUMBER
SLB0793

