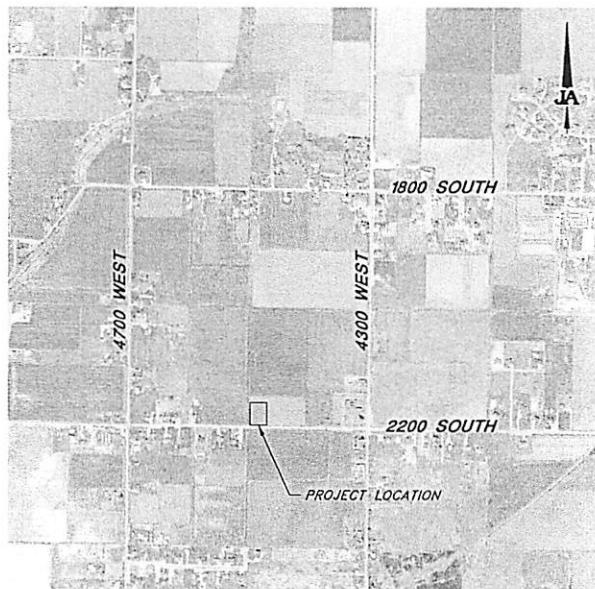


Weber School District WSD AG FACILITY



VICINITY MAP

WSD

MAINTENANCE

2074 WEST 2100 SOUTH
WEST HAVEN, UT. 84404

PHONE: (801) 476-7900
FAX: (801) 476-7949



APRIL 2015



CONSULTING ENGINEERS

1716 East 5600 South
South Ogden, Utah 84403 (801) 476-9767

Index

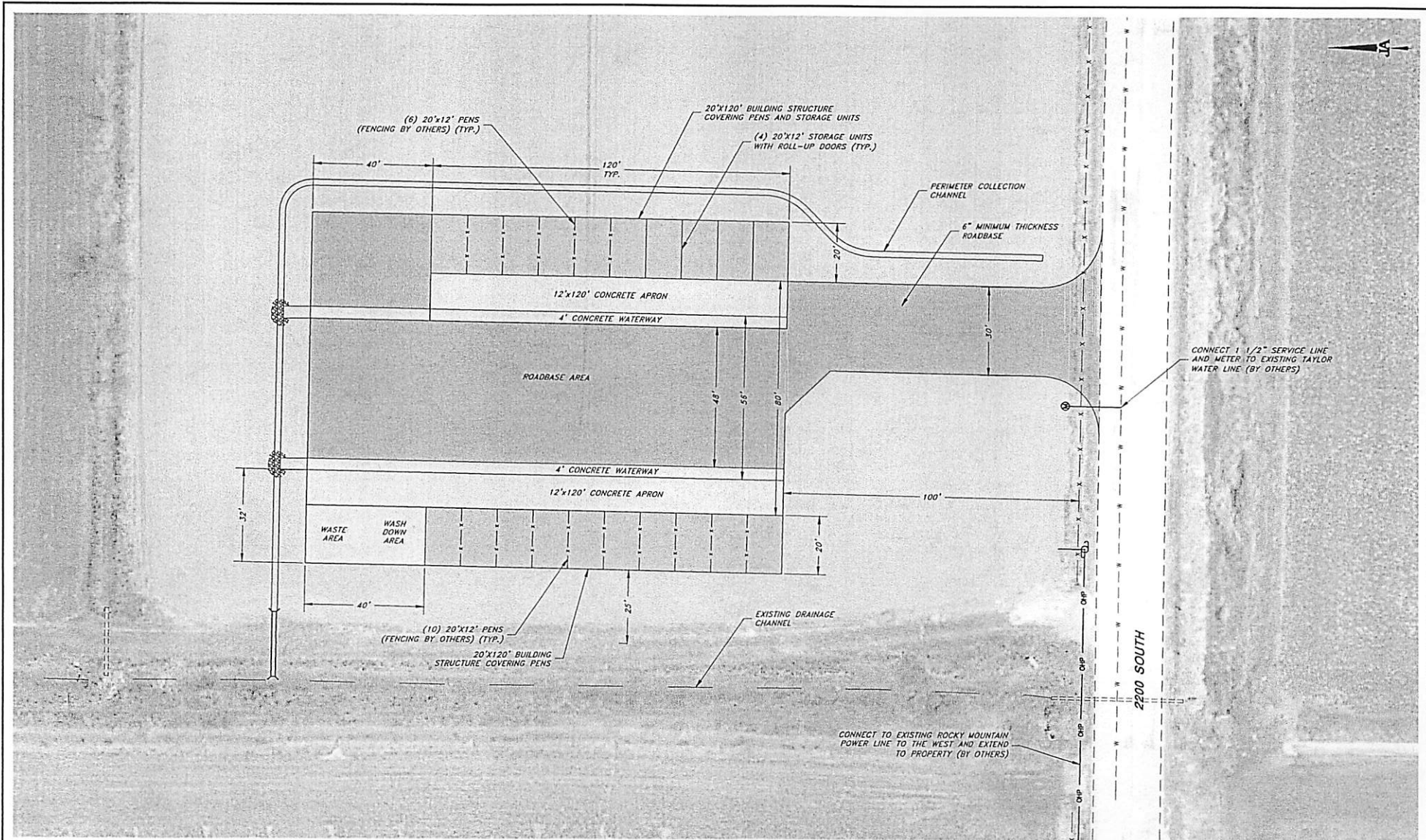
- 1.....COVER SHEET
- 2.....SITE PLAN
- 3.....GRADING PLAN
- 4.....FLOOR PLAN
- 5.....BUILDING ELEVATIONS

WEBER SCHOOL DISTRICT - UTILITY PLANS

- P-1.....PLUMBING PLAN
- E-1.....ELECTRICAL PLAN

STRUCTURAL

- SD1.01..COLUMN LAYOUT PLAN
- SD2.01..COLUMN LAYOUT PLAN
- SD3.01..ELEVATIONS AND SECTION



PROJECT ENGINEER			
DATE	REV.	DATE	APPROV.

SCALE:
 HORIZ: 1" = 30'

DESIGNED KLW
 DRAWN THE
 CHECKED KLW

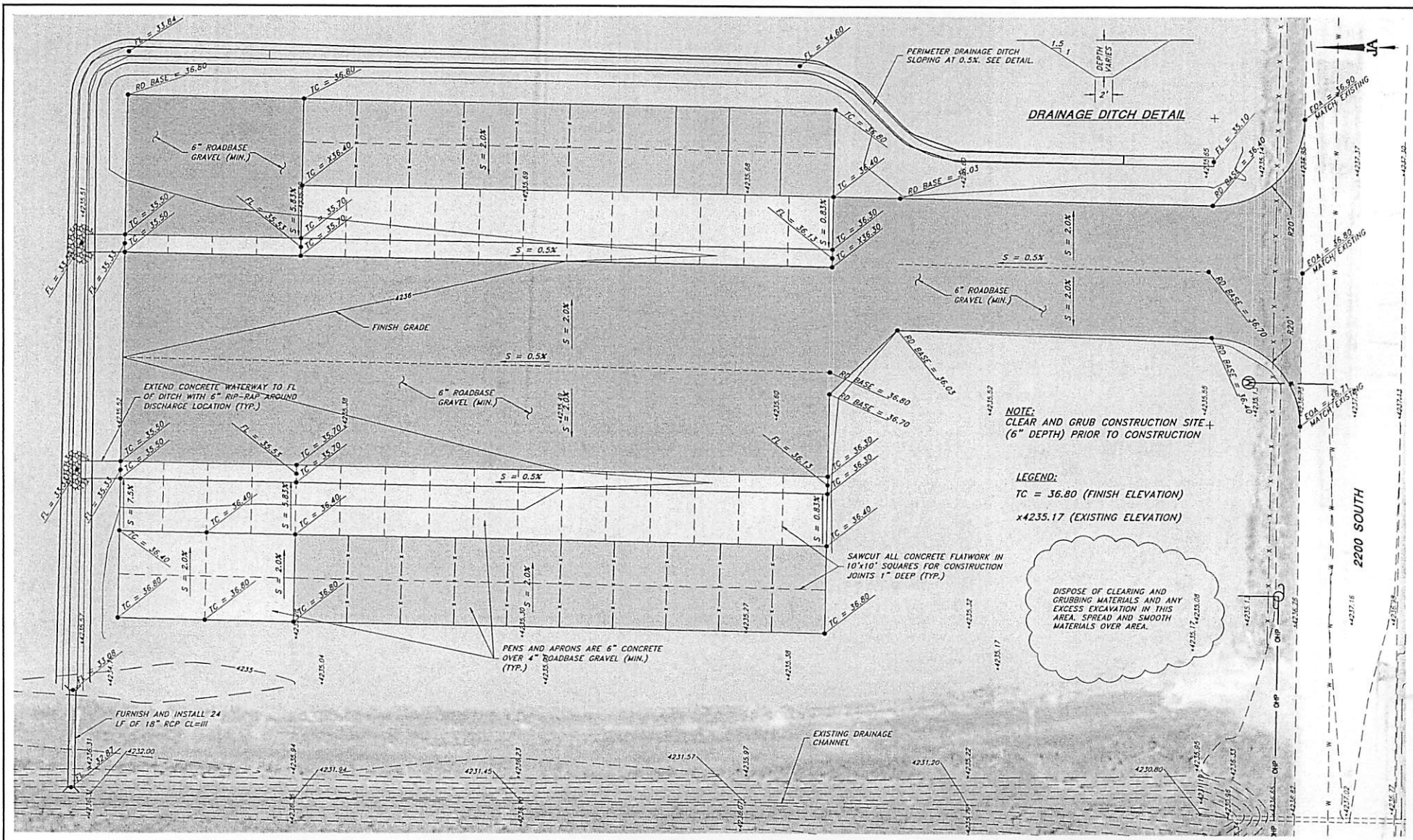
J&A
JONES & ASSOCIATES

CONSULTING ENGINEERS
 1716 East 5600 South
 South Ogden, Utah 84403 (801) 476-9767

WEBER SCHOOL DISTRICT
 WSD AG FACILITY

SITE PLAN

SHEET:
2
 OF 1 SHEETS



NOTE:
CLEAR AND GRUB CONSTRUCTION SITE +
(6" DEPTH) PRIOR TO CONSTRUCTION

LEGEND:
TC = 36.80 (FINISH ELEVATION)
x4235.17 (EXISTING ELEVATION)

DISPOSE OF CLEARING AND
GRUBBING MATERIALS AND ANY
EXCESS EXCAVATION IN THIS
AREA. SPREAD AND SMOOTH
MATERIALS OVER AREA.

PROJECT ENGINEER	DATE	REV.	DATE	APPROV.

SCALE
HORIZ.
1" = 20'

DESIGNED *RLV*
DRAWN *TBE*
CHECKED *RLV*

JA
JONES &
ASSOCIATES

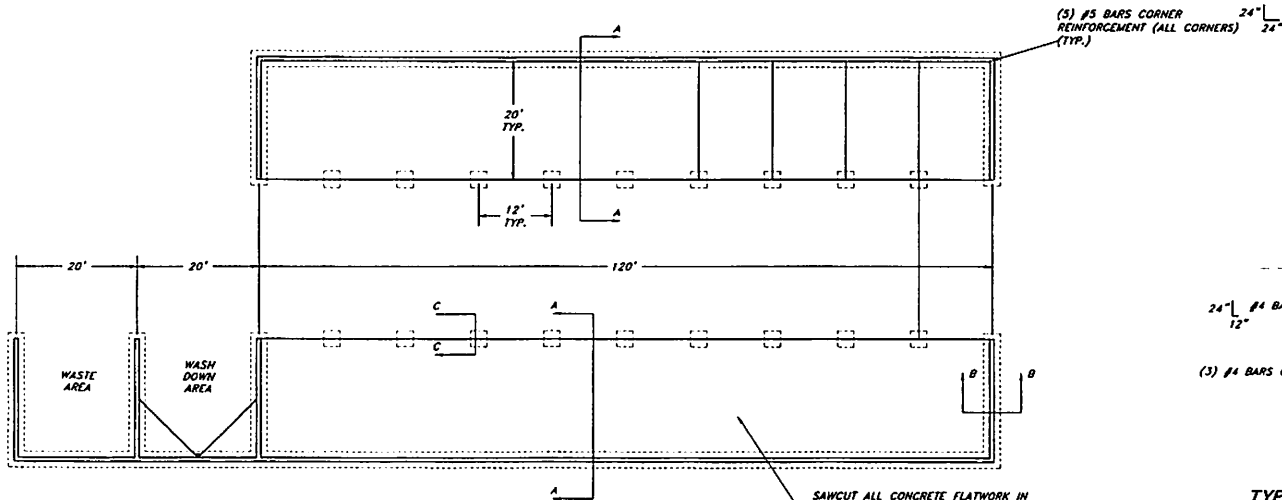
CONSULTING ENGINEERS

1716 East 5600 South
South Ogden, Utah 84403 (801) 476-9787

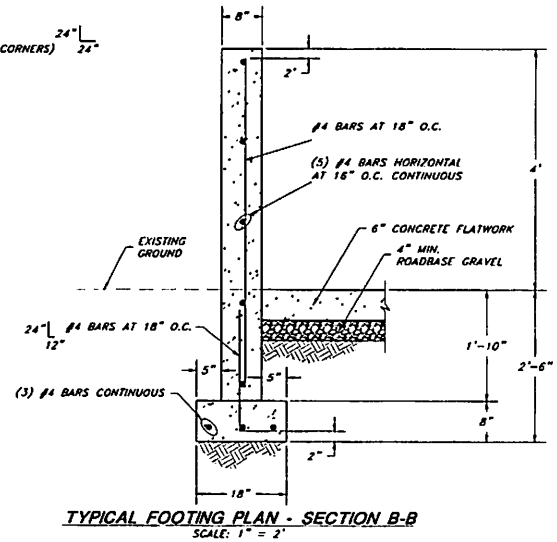
WEBER SCHOOL DISTRICT
WSD AG FACILITY

GRADING PLAN

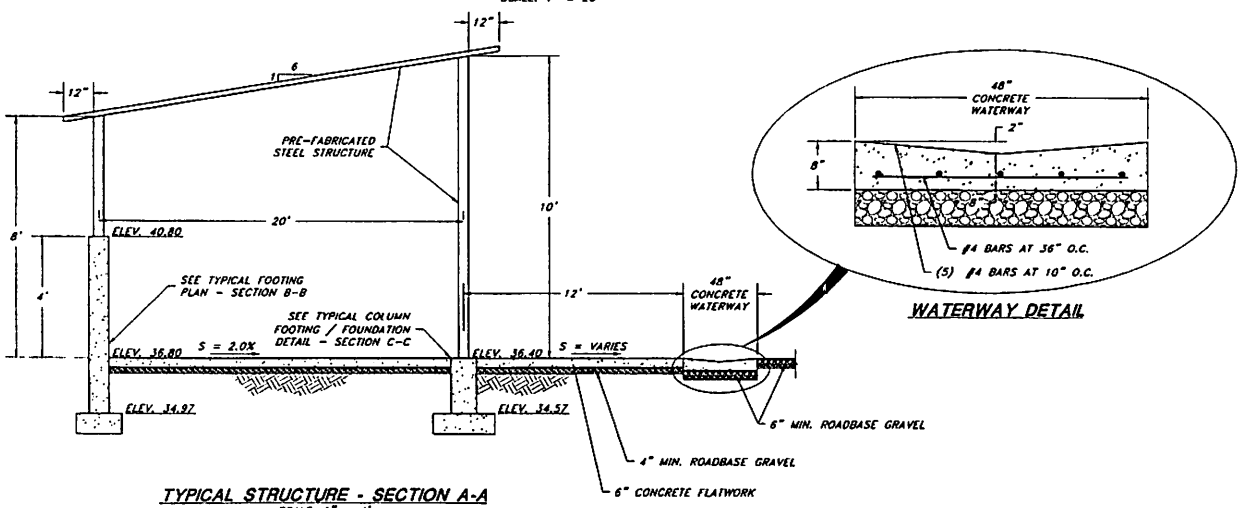
SHEET:
3
OF 1 SHEETS



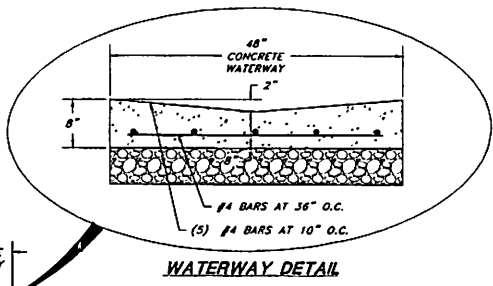
PLAN
SCALE: 1" = 20'



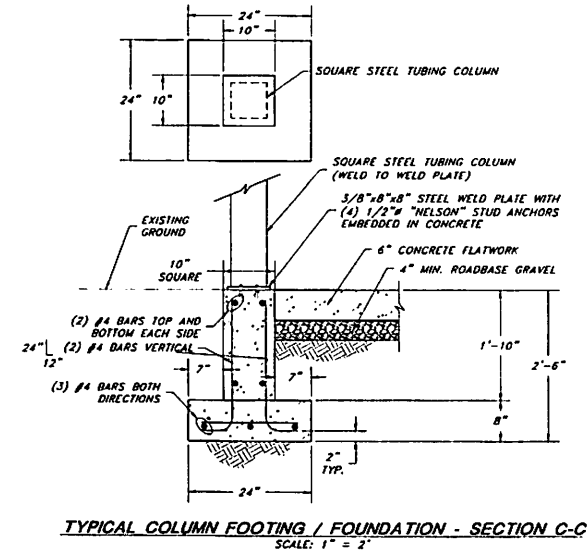
TYPICAL FOOTING PLAN - SECTION B-B
SCALE: 1" = 2'



TYPICAL STRUCTURE - SECTION A-A
SCALE: 1" = 4'

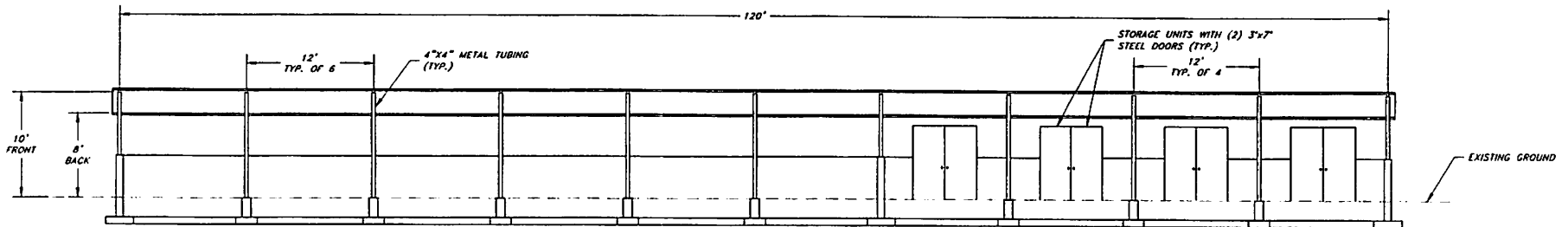


WATERWAY DETAIL

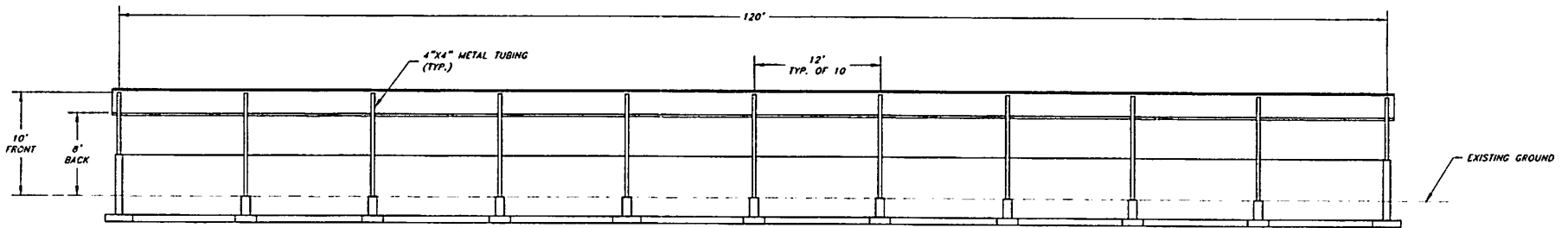


TYPICAL COLUMN FOOTING / FOUNDATION - SECTION C-C
SCALE: 1" = 2'

PROJECT SHEET		SCALE: HORIZ. AS NOTED	DESIGNED: KLJ	<p>JONES & ASSOCIATES CONSULTING ENGINEERS 1716 East 5600 South South Ogden, Utah 84403 (801) 478-8787</p>	WEBER SCHOOL DISTRICT WSD AG FACILITY		SHEET: 4 OF 1 SHEETS
DATE	REV. DATE	CHECKED: THF	CHECKED: KLJ		FLOOR PLAN		



ELEVATION LOOKING EAST



ELEVATION LOOKING WEST

NOTE:
PEN FENCING AND
GATES (BY OTHERS)

PROJECT NUMBER	
DATE	
REV.	DATE

SCALE
HORIZ.
1" = 10'

DESIGNED KLJ
DRAWN DHC
CHECKED KLJ



JONES & ASSOCIATES CONSULTING ENGINEERS

1716 East 5600 South
South Ogden, Utah 84403 (801) 476-9787

WEBER SCHOOL DISTRICT
WSD AG FACILITY

BUILDING ELEVATIONS

WSD MAINTENANCE

2074 WEST 2100 SOUTH
WEST HAVEN, UT 84404

PHONE: (801) 476-7000
FAX: (801) 476-7949

PROJECT NAME:
FFA AG FACILITY

PROJECT LOCATION:
TAYLOR, UT/MI

DRAWN BY:
NATE CARVER
DRAFTER/INSPECTOR
NATE CARVER@WSD.NET
OFFICE: 801-476-7925

PROJECT DATES REVISIONS
1. MAY 2015



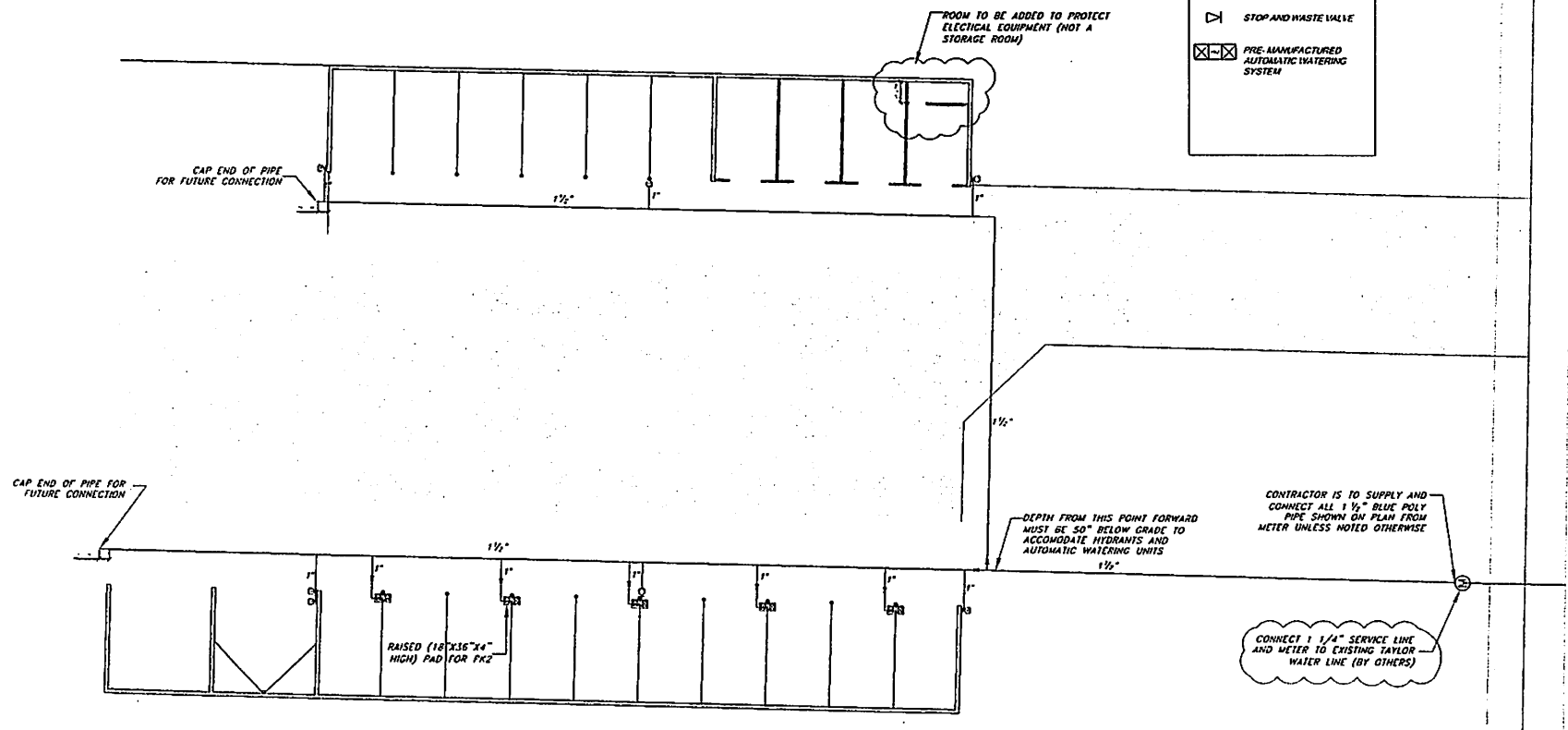
NOTES:
1. WEBER SCHOOL DISTRICT WILL MAKE ALL CONNECTIONS AFTER STOP AND WASTE VALVES AT AUTOMATIC WATERING UNITS
2. WEBER SCHOOL DISTRICT WILL SUPPLY AND INSTALL PK2 UNITS AS PER SPECS.
3. WEBER SCHOOL DISTRICT WILL SUPPLY ALL MATERIALS (PIPE, FITTINGS, HYDRANTS, VALVES) AND CONTRACTOR WILL BE RESPONSIBLE FOR THE INSTALL AS NOTED ON PLANS.

- 3.
- 4.
- 5.
- 6.
- 7.

SHEET NUMBER

P-1

PLUMBING SYMBOLS	
	WATER HYDRANT (HOSE BIB) (COMMERCIAL GRADE)
	STOP AND WASTE VALVE
	PRE-MANUFACTURED AUTOMATIC WATERING SYSTEM



PLUMBING PLAN

SCALE: 1"=20'-0"



WSD

MAINTENANCE
2074 WEST 2100 SOUTH
WEST HAVEN, UT 84404

PHONE: (801) 476-7900
FAX: (801) 476-7919

PROJECT NAME:
FFA AG FACILITY

PROJECT LOCATION:
TAYLOR UTAH

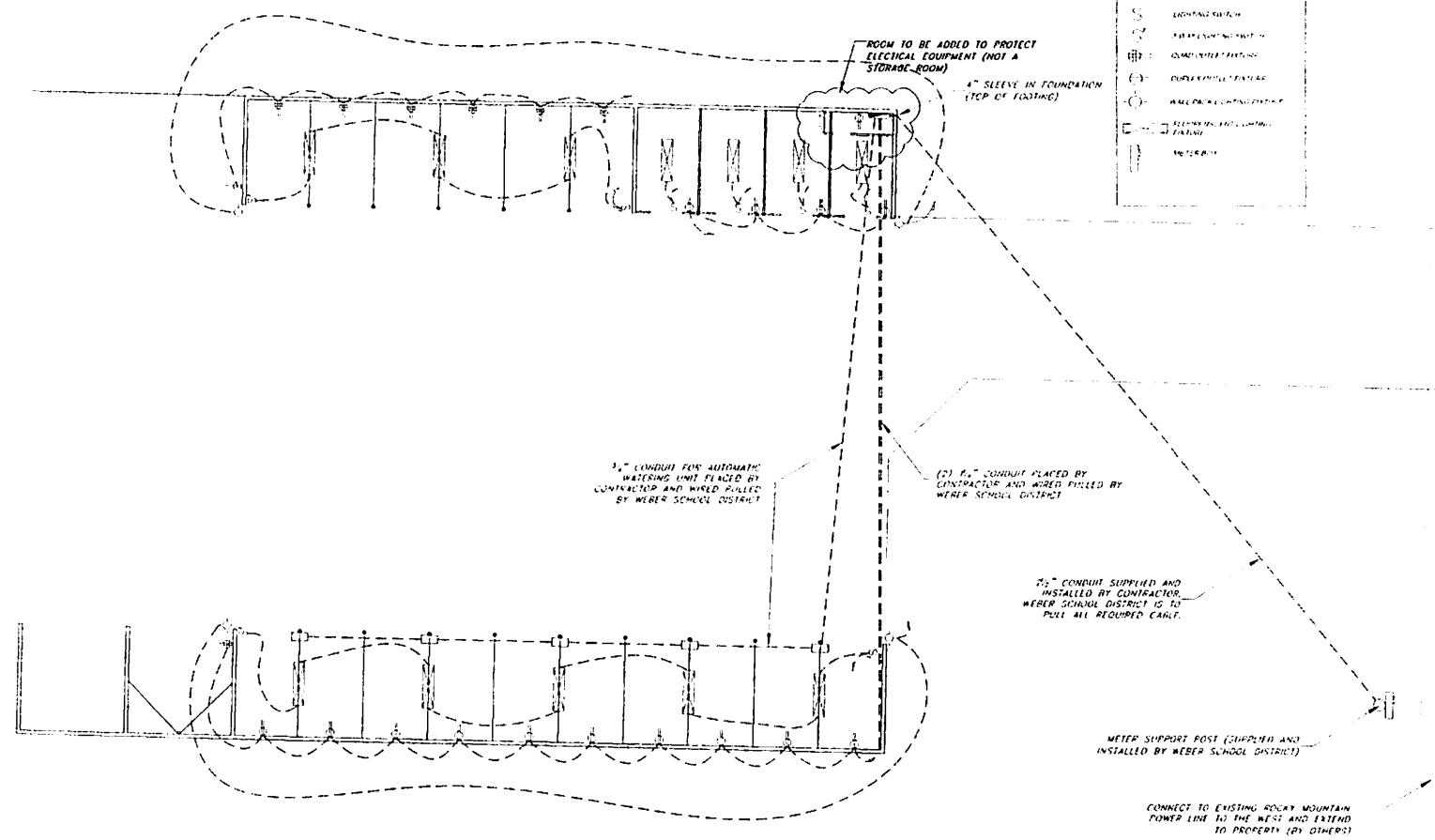
DRAWN BY:
NATH CARYER
DRAWER BUILDING INSPECTOR
SACARVER@WSD.NET
OFFICE 801-476-7925

PROJECT DATES REVISIONS
1 MAY 2011



NOTES:
1. WEBER SCHOOL DISTRICT WILL SUPPLY AND INSTALL ALL ELECTRIC EQUIPMENT INCLUDING ALL PANELS, SWITCHES, OUTLETS AND FIXTURES.
2. CONTRACTOR ASSIGNED IS RESPONSIBLE FOR SUPPLYING AND INSTALLING ALL UNDERGROUND CONDUIT (WEBER SCHOOL DISTRICT WILL ASSIST DETERMINING THE EXACT PLACEMENT OF ALL CONDUITS).
3. ALL CONDUITS SHALL HAVE PULL STRINGS INSTALLED.

ELECTRICAL SYMBOLS	
	ELECTRICAL PANEL
	LIGHTING FIXTURE
	RECEPTACLE OUTLET
	SINGLE PHASE METER
	THREE PHASE METER
	WALL PANEL CONTAINING ELECTRICAL EQUIPMENT
	ELECTRICAL EQUIPMENT IN ROOM
	METER



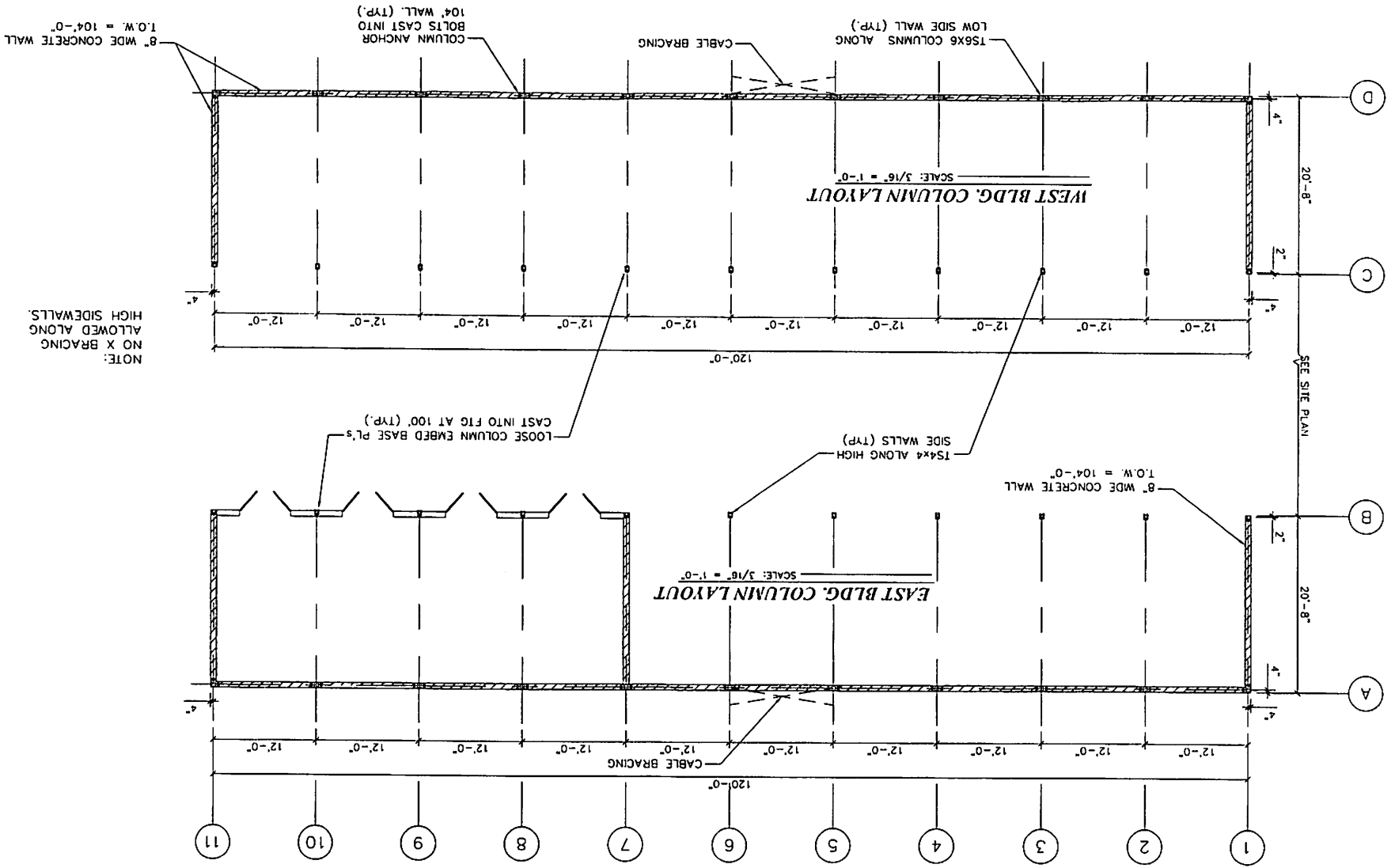
ELECTRICAL PLAN

SCALE: 1"=20'-0"



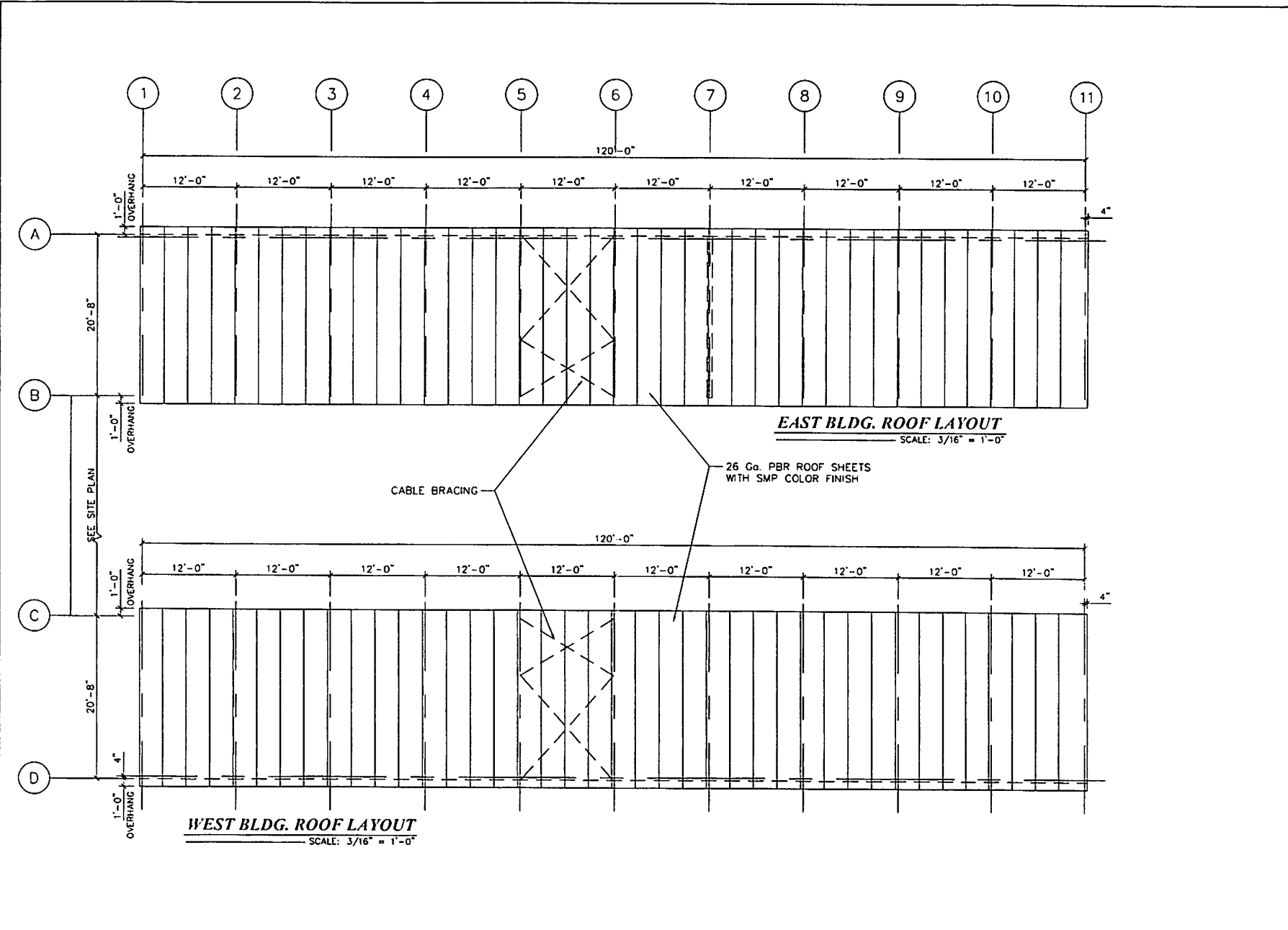
SHEET NUMBER

E-1





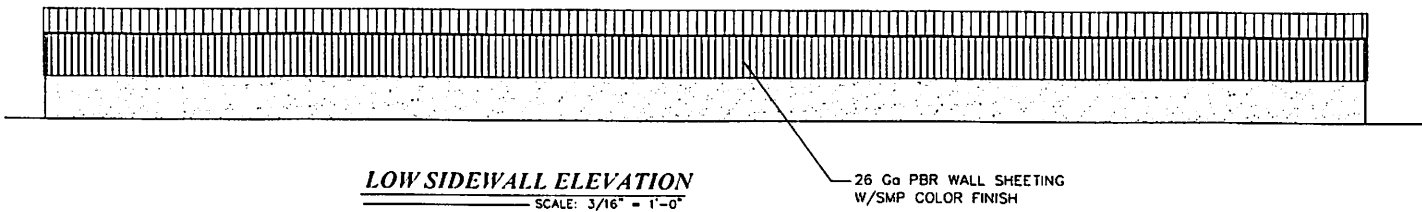
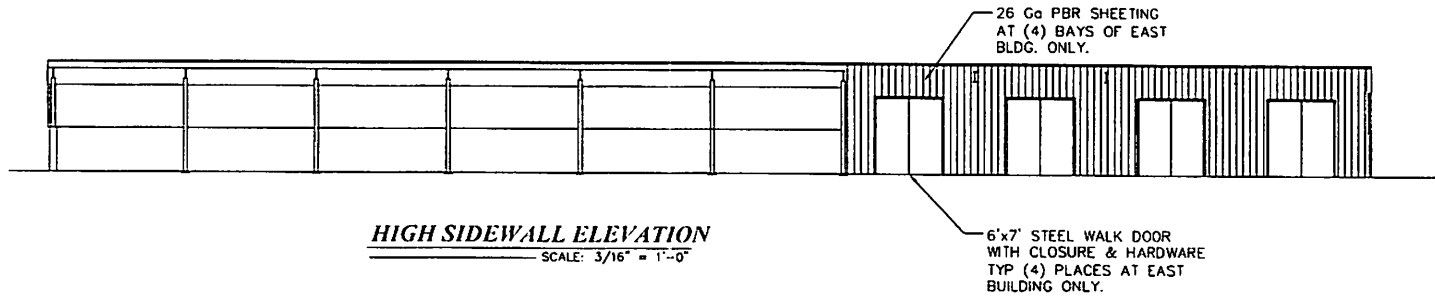
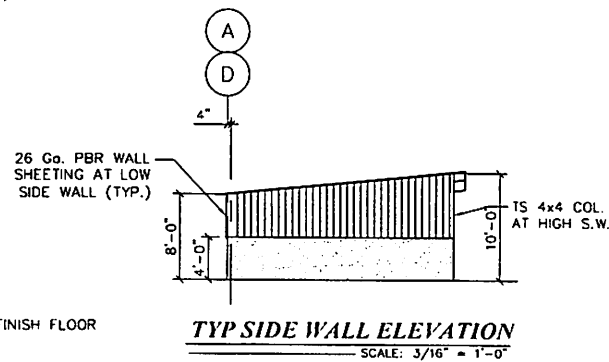
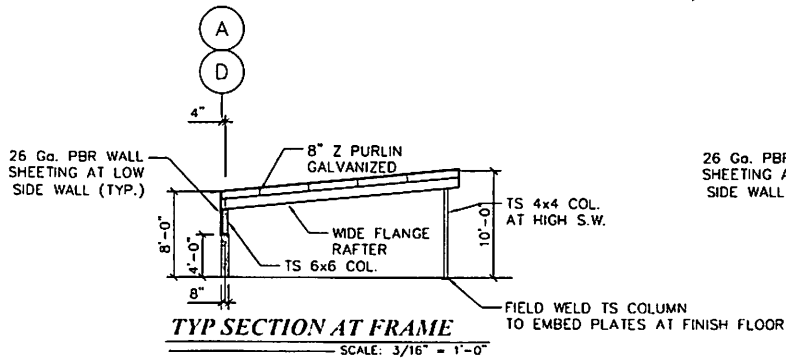
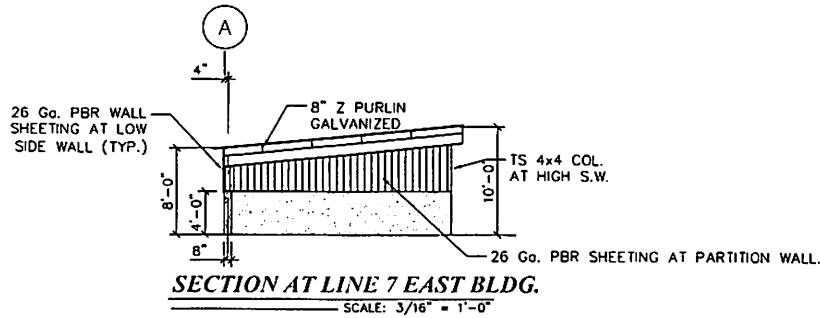
This drawing, the design it depicts, and the information contained herein are the exclusive property of GEM Buildings and may not be copied, reproduced, used for fabrication, purchasing of materials, or any other purpose without the written permission of GEM Buildings. Copyright GEM Buildings 2004.

	WEBER SCHOOL DISTRICT AG BUILDING JONES & ASSOCIATES COLUMN LAYOUT PLAN		1025 N. WATER LANE, AURORA, ILL. 60108 (708) 223-3000 10/27/10/10/2011-0	NO. 1 CONCEPT SALES DRAWING DATE: 7/27/13 PROJECT: WEBER SCH. DIST.
	ID NUMBER: SD1.01 SHEET: 01 OF 01	1025 N. WATER LANE, AURORA, ILL. 60108 (708) 223-3000 10/27/10/10/2011-0	NO. 1 CONCEPT SALES DRAWING DATE: 7/27/13 PROJECT: WEBER SCH. DIST.	NO. 1 CONCEPT SALES DRAWING DATE: 7/27/13 PROJECT: WEBER SCH. DIST.



This drawing, the design it depicts, and the information contained herein are the exclusive property of GEM Buildings and may not be copied, reproduced, used for fabrication, purchasing of materials, or any other purpose without the written permission of GEM Buildings. Copyright GEM Buildings 2004.

NO.	REVISIONS	
	DATE	DESCRIPTION
1	4/29/13	A. CONCEPT SALES DRAWING
		
1023 N. WATER LAKE BOULEVARD, SUITE 100, SALT LAKE CITY, UT 84122 (313) 731-5000		
DATE	SCALE	DATE
4/29/13	1/32" = 1'-0"	4/29/13
		
WEBER SCHOOL DISTRICT AG BUILDING JONES & ASSOCIATES COLUMN LAYOUT PLAN		
SHEET SD2.01		
JOB NUMBER 11111		



This drawing, the design it depicts, and the information contained herein are the exclusive property of GEM Buildings and may not be copied, reproduced, used for fabrication, purchasing of materials, or any other purpose without the written permission of GEM Buildings. Copyright GEM Buildings 2004.

NO.	REVISIONS	DATE	PROFESSORIAL SEAL
	A	CONCEPT SALES DRAWING	4/29/13
GEM BUILDINGS		SCALE	DATE
1025 N. WATERY LAKE BROOKH QTY. UT 84302		1/29/13	4/23/13
(435) 733-5000		CHECKED	ENGINEER
DRAWN		DATE	SCALE
WEBER SCHOOL DISTRICT		DATE	SCALE
AG BUILDING		DATE	SCALE
JONES & ASSOCIATES		DATE	SCALE
ELEVATIONS & SECTIONS		DATE	SCALE
QUALITY CONTROL BUILDING CERTIFICATION			
SHEET		SD3.01	
JOB NUMBER		99999	