

Metal Building Colors

[SP Color Chart](#)

[PVDF Color Chart](#)

Selecting a color scheme is an important step in planning your Nucor metal building system. We offer a wide-range of color choices in our standard [Nucor Siliconized Polyester \(SP\)](#) as well as [Nucor PVDF](#) finish options to enhance the appearance of your building and ensure it meets your vision.

Steel Building Color Selector

Our interactive color selector tool makes it easier than ever to visualize various color combinations to find the perfect look for your custom Nucor building. To use the color selector, simply select an option for each of the tabs across the top to explore colors for the roof, walls, wainscot, and trim of your building. Additional costs may apply to add wainscot to your building due to the increase in required material. Please contact your local sales or customer service representative for pricing information.

[Reset Colors](#)

Roof	Walls & Downspouts	Wainscot	Trim
Nucor SP (Silicone Polyester) Color Systems			
Nucor PVDF Panel Paint Systems			



- Roof** PolarWhite (PW)
- Walls & Downspouts** PolarWhite (PW)
- Wainscot** PolarWhite (PW)
- Trim** Brick Red (BR)

Disclaimer: Due to variances in computer monitor and printer calibrations, colors may not be exactly as shown. Please contact your Nucor Building Systems representative to confirm your color choices, discuss additional options, or to request exact matched metal paint chip samples.

Note: Trim color for walls, framed openings, and roofline are not required to be the same. Contact your Nucor Building Systems representative to discuss trim options.

[Framing Systems](#) [Roof Systems](#) [Wall Systems](#) [Light Gauge](#) [Architectural Accessories](#) [eComponents](#) [Colors](#)
[Agricultural](#) [Commercial](#) [Community](#) [Industrial](#) [Warehouse](#) [Featured Projects](#)
[United States](#) [Canada](#) [International](#)
[eComponents](#) [Online Manuals](#) [Product Manual](#) [Literature](#) [Gallery](#) [Other Resources](#)
[Company Profile](#) [NBS News](#) [National Accounts](#) [Building Green](#) [NBS FOCUS](#) [Locations](#) ▶ [Credentials](#)
[Indiana](#) [South Carolina](#) [Texas](#) [Utah](#)
[Builder](#) [Other](#)

Nucor Standard Panel Paint Systems

WALL

Nucor Classic Wall™



36" Panel Coverage / 26 Gauge*

Nucor Reverse Classic Panel™



36" Panel Coverage / 26 Gauge*

Nucor Accent Panel™



36" Panel Coverage / 26 Gauge*

ROOF

Nucor CFR™



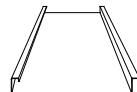
24" Panel Coverage / 24 Gauge*

Nucor Classic Roof™



36" Panel Coverage / 26 Gauge*

Nucor VR16 II™



16" Panel Coverage / 24 Gauge*

Our Silicone Polyester paint is a two-coat system that utilizes cool coating technology and offers superior quality and durability.

Colors shown are representative of actual colors offered and are NOT intended for matching purposes. Exact color match should be made from metal color chip samples.

Initial Solar Reflectance (IR) is the fraction of the total solar energy that is reflected away from a surface. To be considered "cool", products must have a Solar Reflectance of at least .25.

Initial Thermal Emittance (IE) is the relative ability of the roof panel to radiate absorbed heat.

Solar Reflectance Index (SRI) is calculated by using the values of solar reflectance, thermal emittance, and a medium wind coefficient. The higher the SRI value, the lower its surface temperature and consequently, the heat gain into the building.

Galvalume®† gutters, rake, and downspouts are available as an upcharge. Galvalume® ratings are .680 Initial Solar Reflectance (IR), .10 Initial Thermal Emittance (IE), and 56 Solar Reflectance Index (SRI).

Base angle flash is available in Burnished Slate and Polar White only.

All Standard Silicone Polyester colors shown on this chart feature a 25 year finish warranty. Unpainted Galvalume® panels feature a 25 year finish warranty. See Warranty Guide for specific warranty information. (Warranties apply only to the finish coat of exterior mounted panels. Backer side primer colors may vary.)

The term "TBS" on the Nucor Order Document refers to "To Be Selected from Standard Nucor Silicone Polyester Colors" as shown on this chart.

In keeping with a continuing program of product improvement, all information contained herein is subject to change without notice.

*Other gauges are available with extended lead-times and additional charges.

† Galvalume® is a registered trademark of BIEC International, Inc.



www.Nucorbuildingsystems.com

BURNISHED SLATE (BS)

IR: .31 IE: .86 SRI: 32

EVERGREEN (EG)

IR: .26 IE: .86 SRI: 25

AZTEC BLUE (AB)

IR: .25 IE: .86 SRI: 24

BRICK RED (BR)

IR: .32 IE: .85 SRI: 53

SAGEBRUSH TAN (SB)

IR: .47 IE: .85 SRI: 53

FOX GRAY (FG)

IR: .43 IE: .85 SRI: 47

LIGHTSTONE (LS)

IR: .59 IE: .87 SRI: 70

POLAR WHITE (PW)

IR: .66 IE: .86 SRI: 79

Nucor Standard Panel Paint Systems

Silicone Polyester Product Availability

25 Year Finish Warranty for Standard Nucor Silicone Polyester Colors.

	Burnished Slate	Evergreen	Aztec Blue	Brick Red	Sagebrush Tan	Fox Gray	Lightstone	Polar White	Galvalume®
Nucor Classic Wall™	●	●	●	●	●	●	●	●	●
Nucor Reverse Classic™	●	●	●	●	●	●	●	●	●
Nucor Accent Panel™	●	●	●	●	●	●	●	●	●
Nucor CFR™	□ ◆	□ ◆	□	□	□	□	□	●	●
Nucor Classic Roof™	●	●	●	●	●	●	●	●	●
Nucor VR16 II™	□	□	□	□	□	□	□	□	●

● Available □ Available upon request for an additional charge ◆ Stocked product in Waterloo only

TEST	ASTM Test	PERFORMANCE
Mortar Resistance	C-267	No effect
Acid Pollutants	D-1308	No effect
	10% Muriatic Acid, (15 min.)	No effect
	20% Sulphuric Acid, (24 hrs.)	No effect
79% Nitric Acid Vapors, (30 min.)	AAMA 621 / AAMA 605	<5 units color change
Acid Rain Test	Kesternich	10 cycles
	SO2, Cyclic Test	No objectional color change
Alkali Resistance, 10%, 20% Sodium Hydroxide, (1 hr.)	D-1308	No effect
Salt Spray Resistance 5% Salt Fog at 95°F	B-117	Passes 1,000 hrs.
	D-714	No blisters
	D-1654	#8 Scribe creep
Humidity Resistance 100% at 95°F	D-2247	Passes 1,000 hrs. No blisters, crack or peel
Condensing Humidity Cabinet-CCH Testing 240 hrs. at 140°	D-4585 (NCCA 111-6)	Passes 1,000 hrs.
Weatherometer	D-6695	Passes 3,000 hrs.
South Florida Exposure	D-2244	Less than 5 units color change
Chalk Resistance	D-4214	#8 chalk rating, passes
UV Exposure	D-4587	Passes 1,000 hrs.

Indiana
305 Industrial Parkway
Waterloo, IN 46793
Ph: 260-837-7891
Fax: 260-837-7384

Northeast Sales Office
201 Granite Run Drive
Suite 280
Lancaster, PA 17601
Ph: 717-735-7766
Fax: 717-735-7769

South Carolina
200 Whetstone Rd.
Swansea, SC 29160
Ph: 803-568-2100
Fax: 803-568-2121

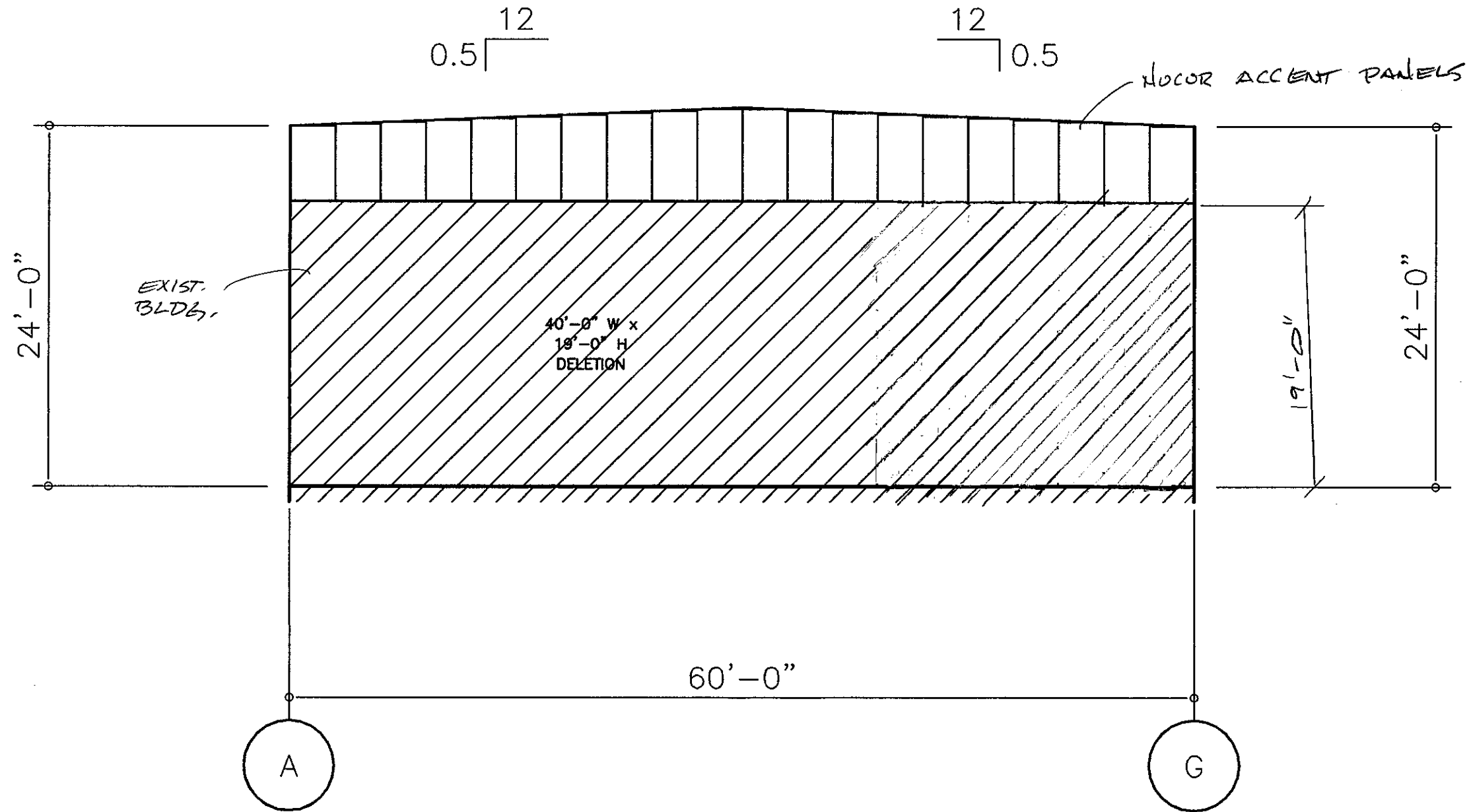
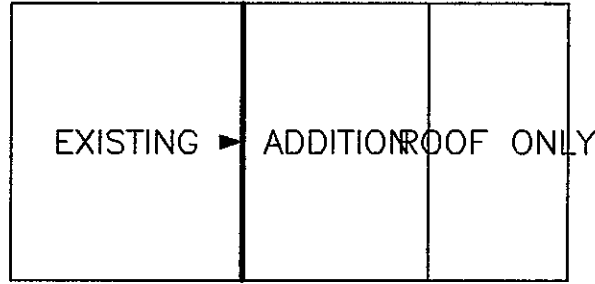
Texas
600 Apache Trail
Terrell, TX 75160
Ph: 972-524-5407
Fax: 972-524-5417

Utah
1050 North Watery Lane
Brigham City, UT 84302
Ph: 435-919-3100
Fax: 435-919-3101



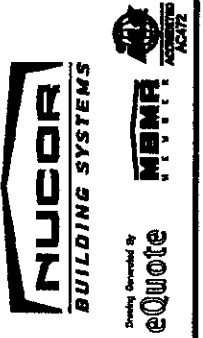
BURNISHED SLATE (BS)
EVERGREEN (EG)
AZTEC BLUE (AB)
BRICK RED (BR)
SAGEBRUSH TAN (SB)
FOX GRAY (FG)
LIGHTSTONE (LS)
POLAR WHITE (PW)

KEY PLAN



WALL SHEETING ELEVATION AT LINE 1

PANELS: 26 GA. CLASSIC WALL - TBS



PROJECT NAME:
JENSEN AUTO
 OGDEN, UT
 CUSTOMER NAME:
CSU
 OGDEN, UT

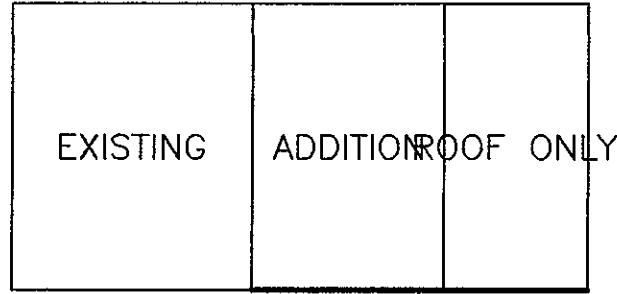
DO NOT USE FOR FINAL CONSTRUCTION

4/24/2015 10:15 AM

PRELIMINARY SHEETING ELEVATIONS

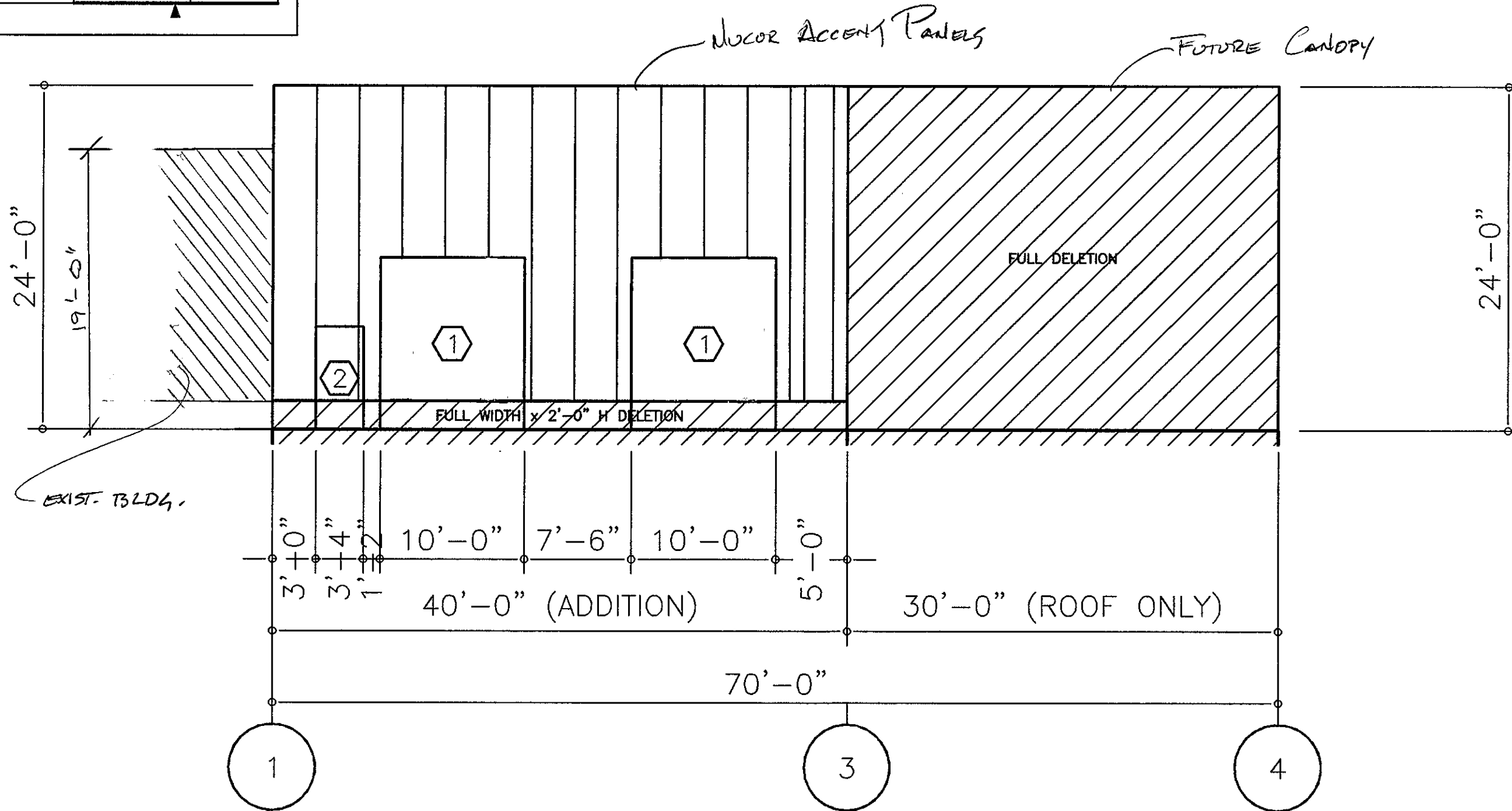
SHEET NUMBER: **WS5** QUOTE NUMBER: **U47-15034-R1**

KEY PLAN



FRAMED OPENING SCHEDULE

ID	QTY	WIDTH	HEIGHT	SILL HEIGHT	LOCATED
1	2	10'-0"	12'-0"	0'-0"	FACTORY
2	1	3'-4"	7'-2"	0'-0"	FACTORY



WALL SHEETING ELEVATION AT LINE G

PANELS: 26 GA. CLASSIC WALL - TBS



PROJECT NAME:
JENSEN AUTO
 OGDEN, UT
 CUSTOMER NAME:
CSU
 OGDEN, UT

DO NOT USE FOR FINAL CONSTRUCTION

SHEET TITLE:
PRELIMINARY SHEETING ELEVATIONS

SHEET NUMBER:
WS6
 QUOTE NUMBER:
U47-15034-R1

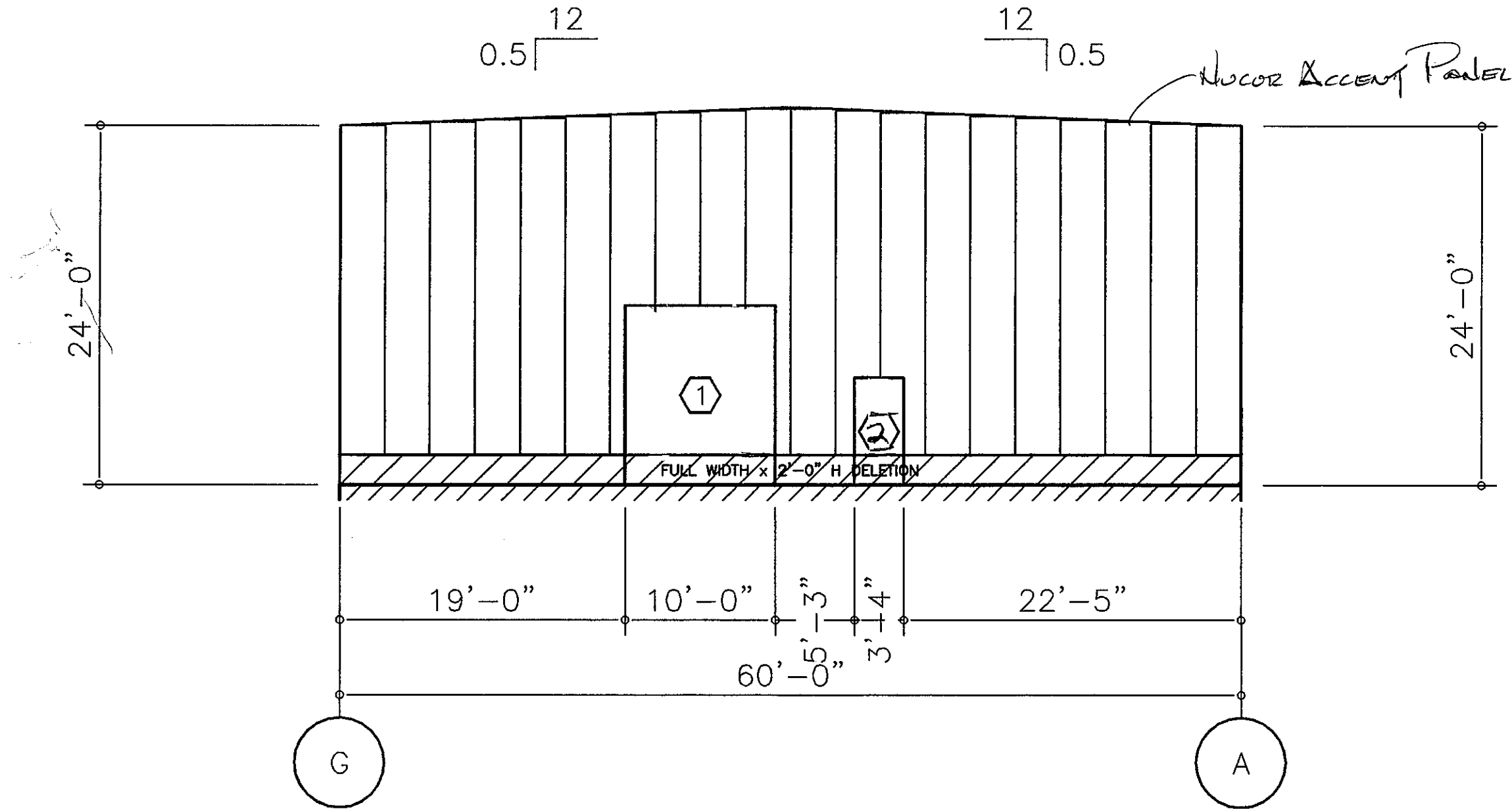
DATE:
 4/24/2015 10:15 AM

KEY PLAN

EXISTING	ADDITION	OF ONLY
----------	----------	---------

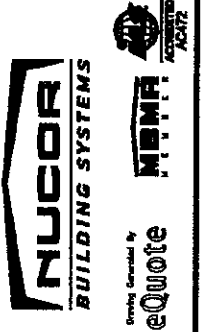
FRAMED OPENING SCHEDULE

ID	QTY	WIDTH	HEIGHT	SILL HEIGHT	LOCATED
1	1	10'-0"	12'-0"	0'-0"	FACTORY
2	1	3'-4"	7'-2"	0'-0"	FACTORY



WALL SHEETING ELEVATION AT LINE 3

PANELS: 26 GA. CLASSIC WALL - TBS



PROJECT NAME:
JENSEN AUTO
 OGDEN, UT
 CUSTOMER NAME:
CSU
 OGDEN, UT

DO NOT USE FOR FINAL CONSTRUCTION

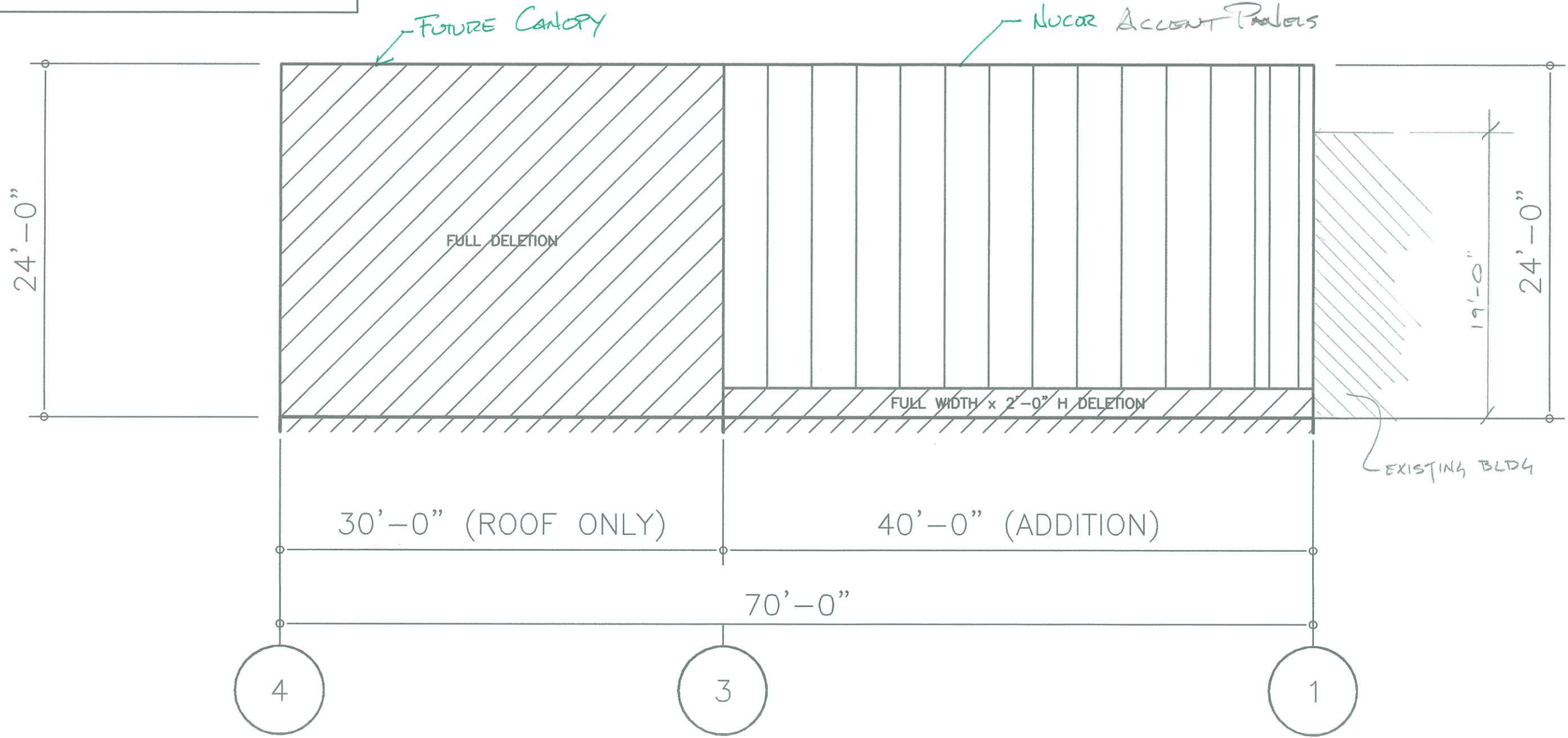
SHEET TITLE: 4/24/2015 10:15 AM

PRELIMINARY SHEETING ELEVATIONS

SHEET NUMBER: U47-15034-R1

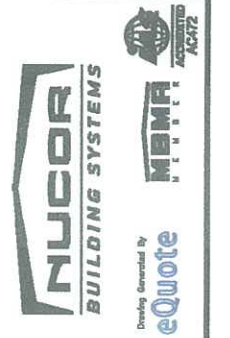
WS7

KEY PLAN



WALL SHEETING ELEVATION AT LINE A *NORTH WALL*

PANELS: 26 GA. CLASSIC WALL - TBS



PROJECT NAME:
JENSEN AUTO
OGDEN, UT
CUSTOMER NAME:
CSU
OGDEN, UT

DO NOT USE FOR FINAL CONSTRUCTION
SHEET TITLE:
PRELIMINARY SHEETING ELEVATIONS
SHEET NUMBER:
WS8
4/24/2015 10:15 AM
QUOTE NUMBER:
U47-15034-R1



PRODUCT AND ENGINEERING MANUAL

6.0 "CLASSIC ROOF"™ SHEETING AND WALL SHEETING

TABLE OF CONTENTS

Table of Contents..... 1

SH0010PE – Nucor Roof and Wall Sheeting Perspective 2

SH0020PE – Nucor “Classic Roof”™ System 3

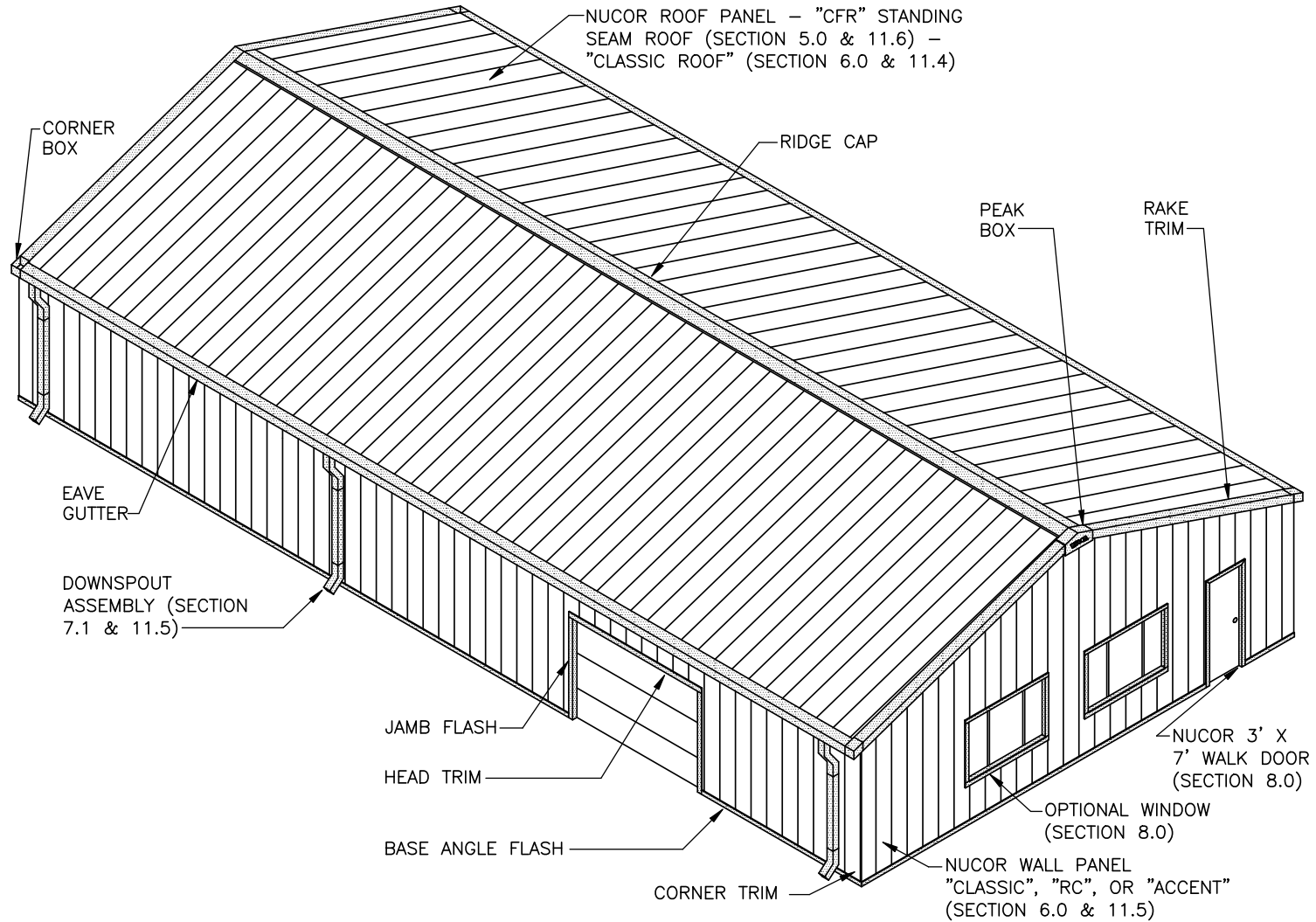
SH0030PE – Nucor Wall Systems 4



PRODUCT AND ENGINEERING MANUAL

6.0 "CLASSIC ROOF"™ SHEETING AND WALL SHEETING

SH0010PE – NUCOR ROOF AND WALL SHEETING PERSPECTIVE



LAST REVISION
DATE: 04/11/02
BY: CDM CHK: RJF

DETAIL NAME IF APPLICABLE
SH0010PE.DWG

6.0.2

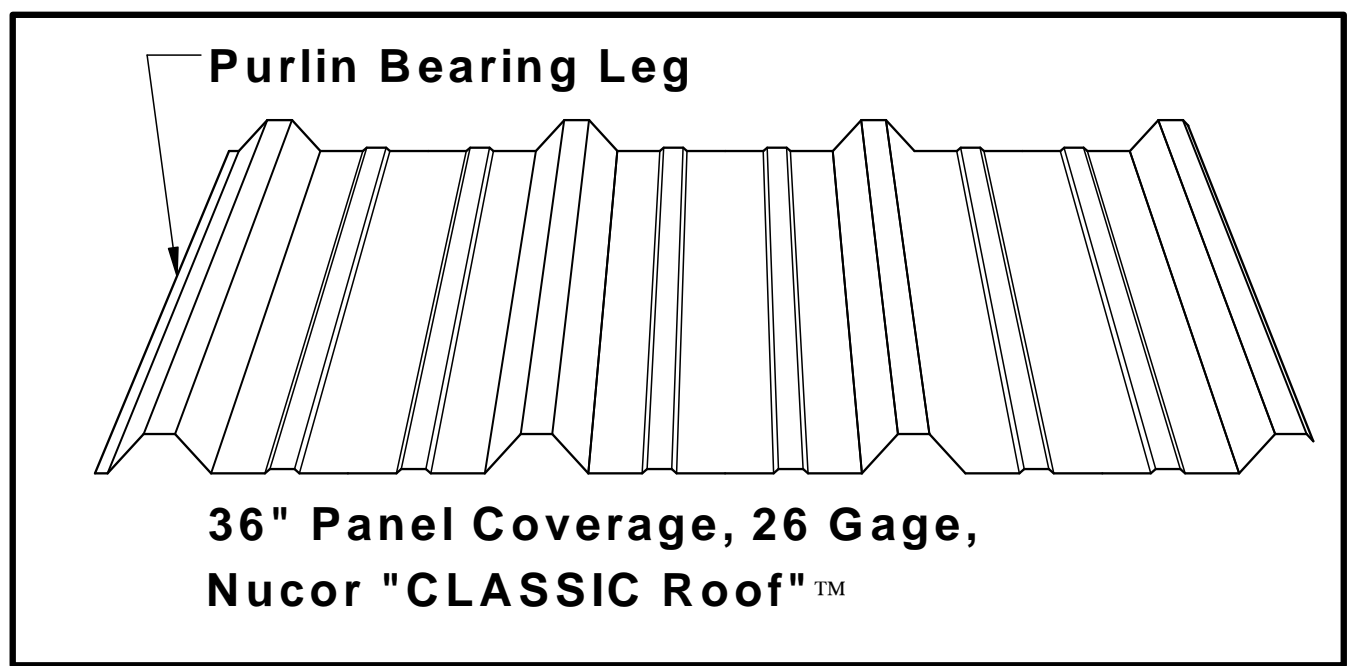


PRODUCT AND ENGINEERING MANUAL

6.0 "CLASSIC ROOF"™ SHEETING AND WALL SHEETING

SH0020PE – NUCOR "CLASSIC ROOF"™ SYSTEM

Nucor "Classic Roof"™ System is provided as standard in unpainted 26 gage material. Other gages and painted Galvalume® are available upon request (minimum quantities and cost premiums do apply). As a standard, a Nucor "Classic Roof"™ System will have a purlin bearing leg. Consult your authorized Nucor representative for price and availability.



Exterior painted roof and wall panels provided by Nucor Building Systems are precision roll formed from pre-painted galvanized or Galvalume® coils. The metal is first subjected to a strenuous cleaning process followed by the application of an oven-cured primer. Next, the finish coat is applied under constant monitoring for proper cure temperature and color uniformity. Before panels are formed, the finished coil is subjected to stringent quality control tests including: physical bend and impact resistance, film thickness, hardness, gloss, and color.

The paint system is Superl™ SP, the industry proven silicone-polyester coating manufactured by PPG Corporation. Superl™ SP coating is a recognized standard of product quality for exterior building systems. Warranties are available upon request.*

LAST REVISION
DATE: 10/12/11
BY: RT CHK: EGB

DETAIL NAME IF APPLICABLE
SH0020PE.DWG

6.0.3

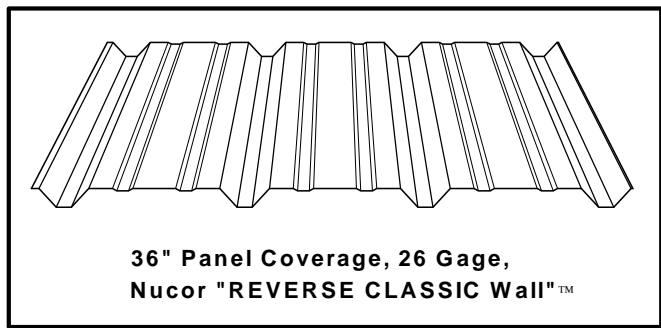
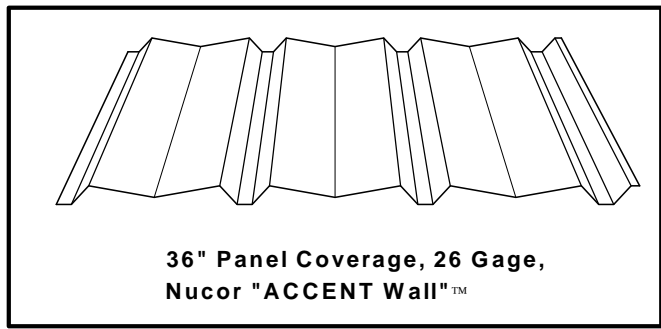
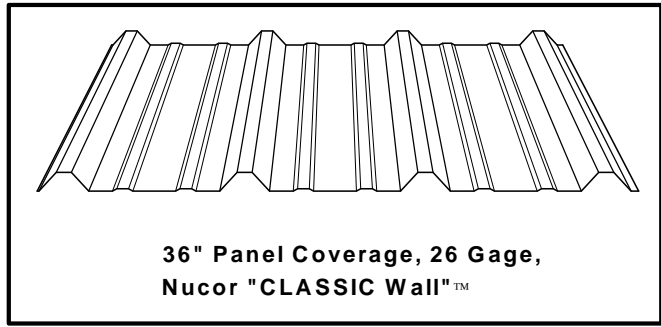


PRODUCT AND ENGINEERING MANUAL

6.0 "CLASSIC ROOF"™ SHEETING AND WALL SHEETING

SH0030PE – NUCOR WALL SYSTEMS

Nucor Wall Systems shown have 36" panel coverage, purlin bearing leg and are available in all standard Nucor colors. **NOTE:** Standard color options may vary between NBS divisions. Consult your District Sales Manager, Customer Service Representative, or Estimating Department for additional information. Other colors and gages are available upon request (minimum quantities do apply). Consult your authorized Nucor representative for price and availability.



Liner panels for wall and roof are normally provided in a 28 gage panel coated with PPG's white Polyceram® 3200, a highly serviceable polyester coating for panels not intended to be exposed to the effects of weather and sunlight.

When a premium 70% PVDF resin-based paint system is required, PPG's Fluoroceram® shall be provided. Consult your Nucor representative for price and availability.

All Nucor wall and trim products are painted with the Superl™ SP silicone-polyester paint system. *Warranties apply only to the finish coat of exterior mounted panels.*

LAST REVISION
DATE: 10/11/11
BY: RT CHK: EGB

DETAIL NAME IF APPLICABLE
SH0030PE.DWG