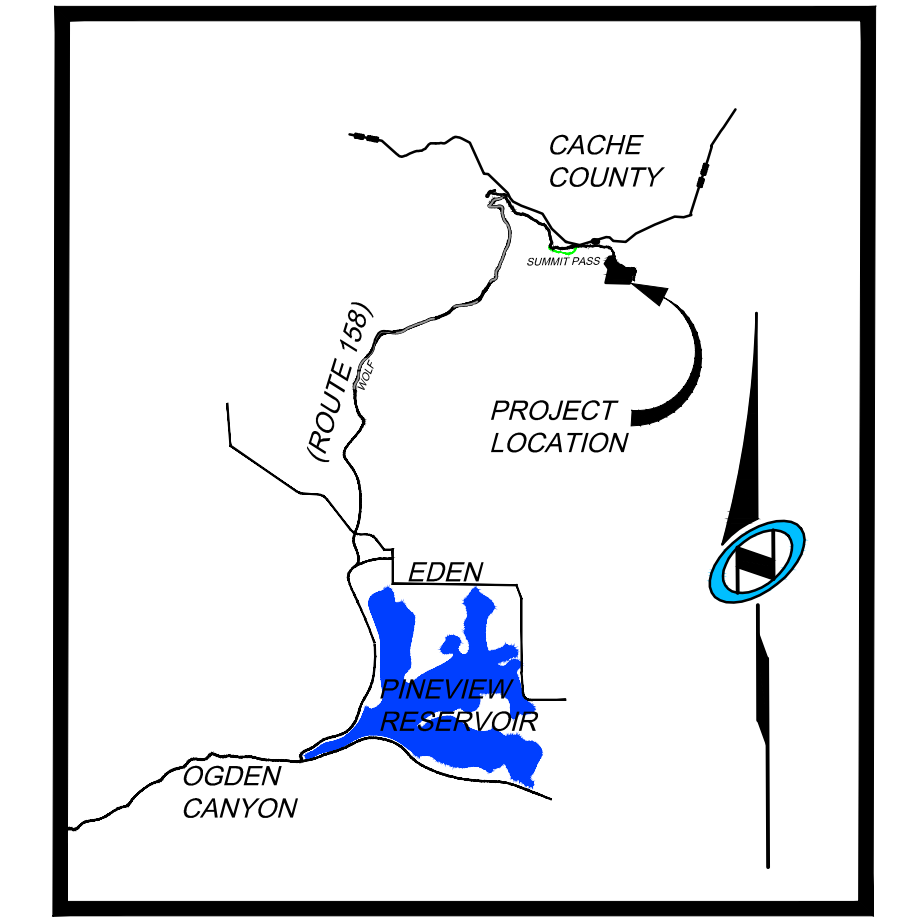


SUMMIT EDEN PHASE 1C AMENDMENT 1 AMENDING LOT 57A AND PARCEL G

THE NORTHEAST 1/4 OF SECTION 8, T. 7N., R. 2E., S1B1.
AUGUST 2015

VICINITY MAP
N.T.S.



SURVEYOR'S CERTIFICATE

I, RICHARD W. MILLER, DO HEREBY CERTIFY THAT I AM A REGISTERED PROFESSIONAL LAND SURVEYOR IN THE STATE OF UTAH IN ACCORDANCE WITH TITLE 58, CHAPTER 22, PROFESSIONAL ENGINEERS AND LAND SURVEYORS ACT; AND THAT I HAVE COMPLETED A SURVEY OF THE PROPERTY DESCRIBED ON THIS PLAT IN ACCORDANCE WITH SECTION 17-23-17 AND HAVE VERIFIED ALL MEASUREMENTS AND HAVE PLACED MONUMENTS AS REPRESENTED IN THIS PLAT, AND THAT THIS PLAT, SUMMIT EDEN PHASE 1C AMENDMENT 1, IN WEBER COUNTY, UTAH, HAS BEEN DRAWN CORRECTLY TO THE DESIGNATED SCALE AND IS A TRUE AND CORRECT REPRESENTATION OF THE HEREON DESCRIBED LANDS INCLUDING SAID SUBDIVISION, BASED UPON DATA COMPILED FROM RECORDS IN THE WEBER COUNTY RECORDER'S OFFICE AND FROM SAID SURVEY MADE BY ME ON THE GROUND.



RICHARD W. MILLER
PROFESSIONAL LAND SURVEYOR
UTAH CERTIFICATE NO. 155641

SURVEY NARRATIVE:

1-THE SURVEY WAS PERFORMED TO AMEND THE LOT LINE BETWEEN PARCEL G, NOW KNOWN AND DEPICTED HERON AS PARCEL 052, AND LOT 57A, NOW KNOWN AND DEPICTED HEREON AS LOT 116, SUMMIT EDEN PHASE 1C, AS RECORDED IN THE OFFICE OF THE WEBER COUNTY RECORDER AS ENTRY NUMBER 2672945, IN BOOK 75 AT PAGES 35-40. PARCEL 052 AND LOT 116 ARE SUBJECT TO THAT CERTAIN MASTER DECLARATION OF COVENANTS, CONDITIONS, EASEMENTS AND RESTRICTIONS FOR POWDER MOUNTAIN AND MAY IN THE FUTURE BE SUBMITTED TO ONE OR MORE NEIGHBORHOOD DECLARATIONS. LOT 116 IS NOT SUBJECT TO THAT CERTAIN NEIGHBORHOOD DECLARATION OF COVENANTS, CONDITIONS, EASEMENTS AND RESTRICTIONS FOR VILLAGES AT POWDER MOUNTAIN.

2-THE BASIS OF BEARINGS FOR THIS PLAT IS NORTH 89°55'51" WEST BETWEEN THE NORTHEAST CORNER OF SECTION 1, TOWNSHIP 7 NORTH, RANGE 1 EAST, SALT LAKE BASE AND MERIDIAN AND A FOUND WEBER COUNTY LINE MONUMENT SET BY THE WEBER COUNTY SURVEYOR'S OFFICE. THIS BEARING DIFFERS FROM WEBER COUNTY SURVEYORS BEARING BY 00°00'14" AS SHOWN ON COUNTY LINE DECLARATION RECORDED PLAT BOOK 74, PAGE 64.

PLAT NOTES:

- 1- THIS PLAT IS SUBJECT TO ALL THE RESTRICTIONS, RIGHTS AND LIMITATIONS SET FORTH IN THE PLAT NOTES THAT APPEAR ON SAID ORIGINAL SUBDIVISION PLAT (ENTRY# 2672945 BOOK 75, PAGE 35-40) UNLESS OTHERWISE NOTED ON THIS PLAT.
- 2- THE TEMPORARY SLOPE EASEMENTS AS DEFINED ON THE DEDICATION PLAT FOR SUMMIT PASS AND SPRING PARK (ENTRY# 21072934, BOOK 75, PAGE 13-27) AND ALSO DEFINED IN PLAT NOTE #14 ON THE ORIGINAL SUMMIT EDEN PHASE 1C SUBDIVISION PLAT (ENTRY# 2672945 BOOK 75, PAGE 35-40) REMAIN IN PLACE AND ARE NOT INTENDED TO BE VACATED BY THIS PLAT AMENDMENT.
- 3- PARCEL G, HEREON 052, HAS PREVIOUSLY BEEN RECORDED AS A PUBLIC UTILITY EASEMENT PRIOR TO THIS AMENDMENT. AMENDED PARCEL 052 WILL CONTINUE TO BE A PUBLIC UTILITY EASEMENT ACROSS ITS ENTIRETY. AS RECORDED IN THE WEBER COUNTY RECORDERS OFFICE AS ENTRY NUMBER 2711133.

OWNER'S DEDICATION:

SMHG PHASE 1, LLC ("DECLARANT") AS THE OWNER OF THE HEREIN DESCRIBED TRACT OF LAND, DO HEREBY SET APART AND SUBDIVIDE THE SAME INTO LOTS TO BE KNOWN HEREAFTER AS SUMMIT EDEN PHASE 1C AMENDMENT 1 AND DO HEREBY GRANT AND DEDICATE A PERPETUAL RIGHT AND EASEMENT OVER, UPON AND UNDER THE LANDS DESIGNATED HEREOF AS PUBLIC UTILITY, THE SAME TO BE USED FOR THE INSTALLATION MAINTENANCE AND OPERATION OF PUBLIC UTILITY SERVICE LINE, WHICHEVER IS APPLICABLE AS MAY BE AUTHORIZED BY THE GOVERNING AUTHORITY, WITH NO BUILDINGS OR STRUCTURES BEING ERRECTED WITHIN SUCH EASEMENTS.

IN WITNESS WHEREOF, DECLARANT HAS EXECUTED THIS OWNER'S DEDICATION AS OF THE ____ DAY OF _____, 2015.

SMHG PHASE 1 LLC, A DELAWARE LIMITED LIABILITY COMPANY

BY: SMHG INVESTMENTS LLC, A DELAWARE LIMITED LIABILITY COMPANY
ITS: SOLE MEMBER

BY: _____
NAME: PAUL STRANGE
TITLE: AUTHORIZED SIGNATORY

ACKNOWLEDGEMENT:

STATE OF UTAH }
COUNTY OF _____ } S.S.

THE FOREGOING INSTRUMENT WAS ACKNOWLEDGED BEFORE ME THIS ____ DAY OF _____, 2015 BY PAUL STRANGE, THE AUTHORIZED SIGNATORY FOR SMHG INVESTMENTS LLC, THE SOLE MEMBER OF SMHG PHASE 1 LLC.

NOTARY PUBLIC _____
MY COMMISSION EXPIRES: _____
RESIDING IN: _____

LEGAL DESCRIPTION:

BEGINNING AT A POINT BEING THE NORTHEAST CORNER OF LOT 56 AND THE SOUTH LINE OF COPPER CREST - A 36 FOOT WIDE PRIVATE ROAD, OF SUMMIT EDEN PHASE 1C SUBDIVISION, ENTRY NO. 2672945, BOOK 75, PAGES 35-40, AS RECORDED IN THE WEBER COUNTY RECORDER'S OFFICE, SAID POINT BEING EAST 3,884.70 FEET AND SOUTH 3,528.65 FEET FROM THE WEST QUARTER CORNER OF SECTION 5, T.7N., R.2E., S.L.B. # 1. (BASIS-OF-BEARING BEING N 89°55'51" W ALONG THE LINE BETWEEN THE NORTHEAST CORNER OF SECTION 1, T.7N., R.1E., S.L.B. # 1. AND THE SET WEBER COUNTY MONUMENT ON THE INTERSECTION OF THE WEBER/CACHE COUNTY LINE AND THE SECTION LINE) AND RUNNING THENCE SOUTHEASTERY 142.04 FEET ALONG THE ARC OF A 107.00 FOOT RADIUS CURVE TO THE RIGHT, BEING ALONG THE SOUTERLY AND WESTERLY LINE OF SAID COPPER CREST, THROUGH A CENTRAL ANGLE OF 76°03'38" AND A LONG CHORD OF S 49°06'15" E 131.84 FEET; THENCE S 82°37'10" W 74.78 FEET; THENCE S 07°22'50" E 180.68 FEET TO THE SOUTHWEST CORNER OF LOT 62R AND THE NORTH LINE OF SPRING PASS - A 36 FOOT WIDE PUBLIC ROAD; THENCE ALONG THE NORTH LINE OF SPRING PASS THE NEXT THREE COURSES AND DISTANCES, NORTHEASTERLY 89.73 FEET ALONG THE ARC OF A 102.00 FOOT RADIUS CURVE TO THE RIGHT THROUGH A CENTRAL ANGLE OF 50°24'13" AND A LONG CHORD OF N 77°53'04" W 86.86 FEET; THENCE N 52°40'58" W 59.72 FEET; THENCE NORTHEASTERLY 28.58 FEET ALONG THE ARC OF A 268.00 FOOT RADIUS CURVE TO THE LEFT THROUGH A CENTRAL ANGLE OF 06°06'35" AND A LONG CHORD OF N 55°44'15" W 28.56 FEET TO THE SOUTHEAST CORNER OF LOT 63; THENCE LEAVING SPRING PASS N 31°12'27" E 70.77 FEET; THENCE N 05°56'09" W 62.24 FEET TO THE NORTHEAST CORNER OF LOT 63; THENCE N 84°03'51" E 73.75 FEET TO THE SOUTHEAST CORNER OF LOT 56; THENCE N 02°51'57" E 74.62 FEET TO THE POINT OF BEGINNING.

CONTAINS: 0.646 ACRES.

N|V|S

NOLTE VERTICAL FIVE
5217 SOUTH STATE STREET, SUITE 300 MURRAY, UT 84107
801.743.1300 TEL. 801.743.0300 FAX WWW.NOLTE.COM

RECORDED #

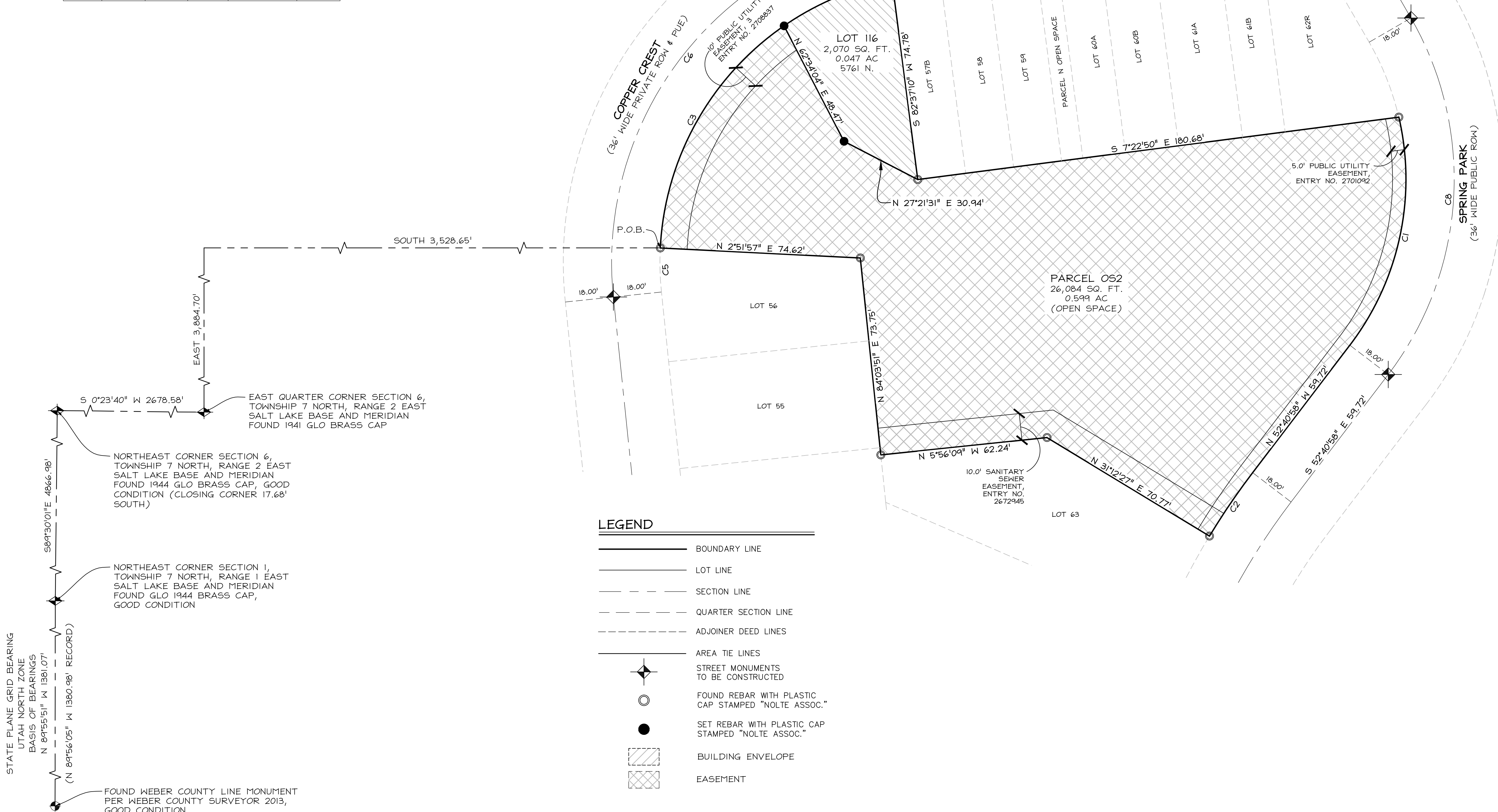
STATE OF UTAH, COUNTY OF WEBER, RECORDED AND FILED AT THE
REQUEST OF: _____
ENTRY NO: _____
DATE: _____ TIME: _____
BOOK: _____ PAGE: _____
FEE \$ _____
WEBER COUNTY RECORDER

<p>OWNER</p> <p>SMHG PHASE 1, LLC 3632 N. WOLFE CREEK DR. EDEN, UT 84310</p>	<p>WEBER COUNTY ATTORNEY</p> <p>I HAVE EXAMINED THE FINANCIAL GUARANTEE AND OTHER DOCUMENTS ASSOCIATED WITH THIS SUBDIVISION PLAT AND IN MY OPINION THEY CONFORM WITH THE COUNTY ORDINANCE APPLICABLE THERETO AND NOW IN FORCE AND AFFECT. SIGNED THIS _____ DAY OF _____, 20____.</p> <p>_____ SIGNATURE</p>	<p>WEBER COUNTY SURVEYOR</p> <p>I HEREBY CERTIFY THAT THE WEBER COUNTY SURVEYOR'S OFFICE HAS REVIEWED THIS PLAT FOR MATHEMATICAL CORRECTNESS, SECTION CORNER DATA AND FOR HARMONY WITH LINES AND MONUMENTS ON RECORD IN THE COUNTY OFFICES. THE APPROVAL OF THIS PLAT BY THE WEBER COUNTY SURVEYORS DOES NOT RELIEVE THE LICENSED LAND SURVEYOR WHO EXICUTED THIS PLAT FROM RESPONSIBILITIES AN/OR LIABILITIES ASSOCIATED THEREWITH. SIGNED THIS _____ DAY OF _____, 20____.</p> <p>_____ COUNTY SURVEYOR</p>	<p>WEBER COUNTY ENGINEER</p> <p>I HEREBY CERTIFY THAT THE REQUIRED PUBLIC IMPROVEMENT STANDARDS AND DRAWINGS FOR THIS SUBDIVISION CONFORM WITH COUNTY STANDARDS AND THE AMOUNT OF THE FINANCIAL GUARANTEE IS SUFFICIENT FOR THE INSTALLATION OF THESE IMPROVEMENTS. SIGNED THIS _____ DAY OF _____, 20____.</p> <p>_____ SIGNATURE</p>	<p>WEBER COUNTY PLANNING COMMISSION APPROVAL</p> <p>THIS IS TO CERTIFY THAT THIS SUBDIVISION PLAT WAS DULY APPROVED BY THE WEBER COUNTY PLANNING COMMISSION ON THE DAY OF _____, 20____.</p> <p>_____ CHAIRMAN-WEBER COUNTY PLANNING COMMISSION</p>	<p>WEBER COUNTY COMMISSION ACCEPTANCE</p> <p>THIS IS TO CERTIFY THAT THIS SUBDIVISION PLAT, THE DEDICATION OF STREETS AND OTHER PUBLIC WAYS AND FINANCIAL GUARANTEE OF PUBLIC IMPROVEMENTS ASSOCIATED WITH THIS SUBDIVISION THEREON ARE HEREBY APPROVED AND ACCEPTED BY THE COMMISSIONERS OF WEBER COUNTY, UTAH THIS _____ DAY OF _____, 20____.</p> <p>_____ CHAIRMAN, WEBER COUNTY COMMISSION</p>
---	--	--	---	--	--

SUMMIT EDEN PHASE 1C AMENDMENT 1 AMENDING LOT 57A AND PARCEL G

THE NORTHEAST 1/4 OF SECTION 8, T. 7N., R. 2E., 5LBM.
AUGUST 2015

CURVE TABLE				
CURVE	LENGTH	RADIUS	DELTA	LONG CHORD
C1	89.73'	102.00'	50°24'13"	S 77°53'04" E 86.86'
C2	28.58'	268.00'	6°06'35"	N 55°44'15" W 28.56'
C3	98.12'	107.00'	52°32'27"	N 60°51'50" W 94.72'
C4	43.92'	107.00'	23°31'11"	N 22°50'01" W 43.62'
C5	16.44'	107.00'	8°48'06"	S 88°27'54" W 16.42'
C6	193.20'	125.00'	88°33'19"	N 51°39'30" W 174.53'
C7	25.80'	150.00'	9°51'18"	S 12°18'30" E 25.77'
C8	141.04'	120.00'	67°20'21"	S 86°21'09" E 133.06'
C9	16.74'	75.00'	12°47'11"	S 66°22'16" W 16.70'



SOUTH 3,528.65'
EAST 3,884.70'
S 0°23'40" W 2678.58'
EAST QUARTER CORNER SECTION 6, TOWNSHIP 7 NORTH, RANGE 2 EAST SALT LAKE BASE AND MERIDIAN FOUND 1941 GLO BRASS CAP

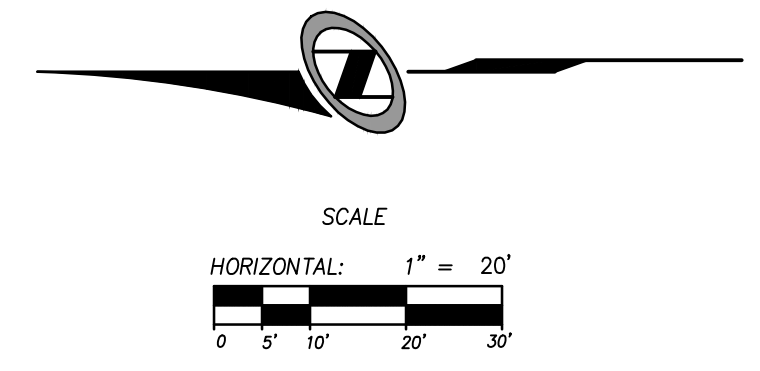
N 89°30'01" E 4866.98'
NORTHEAST CORNER SECTION 6, TOWNSHIP 7 NORTH, RANGE 2 EAST SALT LAKE BASE AND MERIDIAN FOUND 1944 GLO BRASS CAP, GOOD CONDITION (CLOSING CORNER 17.68' SOUTH)

N 89°56'05" W 1380.98' RECORD)
NORTHEAST CORNER SECTION 1, TOWNSHIP 7 NORTH, RANGE 1 EAST SALT LAKE BASE AND MERIDIAN FOUND GLO 1944 BRASS CAP, GOOD CONDITION

STATE PLANE GRID BEARING
UTAH NORTH ZONE
BASIS OF BEARINGS
N 89°55'51" W 1381.07'
(N 89°56'05" W 1380.98' RECORD)

FOUND WEBER COUNTY LINE MONUMENT PER WEBER COUNTY SURVEYOR 2013, GOOD CONDITION

- LEGEND**
- BOUNDARY LINE
 - LOT LINE
 - SECTION LINE
 - - - QUARTER SECTION LINE
 - - - ADJOINER DEED LINES
 - AREA TIE LINES
 - ◆ STREET MONUMENTS TO BE CONSTRUCTED
 - FOUND REBAR WITH PLASTIC CAP STAMPED "NOLTE ASSOC."
 - SET REBAR WITH PLASTIC CAP STAMPED "NOLTE ASSOC."
 - ▨ BUILDING ENVELOPE
 - ▩ EASEMENT



N|V|S
NOLTE VERTICALFIVE

5217 SOUTH STATE STREET, SUITE 300 MURRAY, UT 84107
801.743.1300 TEL 801.743.0300 FAX WWW.NOLTE.COM

RECORDED #

STATE OF UTAH, COUNTY OF WEBER, RECORDED AND FILED AT THE
REQUEST OF: _____
ENTRY NO: _____
DATE: _____ TIME: _____
BOOK: _____ PAGE: _____
FEE \$ _____
WEBER COUNTY RECORDER

OWNER
SMHG PHASE 1, LLC
3632 N. WOLFE CREEK DR.
EDEN, UT 84310

WEBER COUNTY ATTORNEY
I HAVE EXAMINED THE FINANCIAL GUARANTEE AND OTHER DOCUMENTS ASSOCIATED WITH THIS SUBDIVISION PLAT AND IN MY OPINION THEY CONFORM WITH THE COUNTY ORDINANCE APPLICABLE THERETO AND NOW IN FORCE AND AFFECT.
SIGNED THIS _____ DAY OF _____, 20____.
SIGNATURE _____

WEBER COUNTY SURVEYOR
I HEREBY CERTIFY THAT THE WEBER COUNTY SURVEYOR'S OFFICE HAS REVIEWED THIS PLAT FOR MATHEMATICAL CORRECTNESS, SECTION CORNER DATA AND FOR HARMONY WITH LINES AND MONUMENTS ON RECORD IN THE COUNTY OFFICES. THE APPROVAL OF THIS PLAT BY THE WEBER COUNTY SURVEYORS DOES NOT RELIEVE THE LICENSED LAND SURVEYOR WHO EXECUTED THIS PLAT FROM RESPONSIBILITIES AND/OR LIABILITIES ASSOCIATED THEREWITH. SIGNED THIS _____ DAY OF _____, 20____.
COUNTY SURVEYOR _____

WEBER COUNTY ENGINEER
I HEREBY CERTIFY THAT THE REQUIRED PUBLIC IMPROVEMENT STANDARDS AND DRAWINGS FOR THIS SUBDIVISION CONFORM WITH COUNTY STANDARDS AND THE AMOUNT OF THE FINANCIAL GUARANTEE IS SUFFICIENT FOR THE INSTALLATION OF THESE IMPROVEMENTS.
SIGNED THIS _____ DAY OF _____, 20____.
SIGNATURE _____

WEBER COUNTY PLANNING COMMISSION APPROVAL
THIS IS TO CERTIFY THAT THIS SUBDIVISION PLAT WAS DULY APPROVED BY THE WEBER COUNTY PLANNING COMMISSION ON THE DAY OF _____, 20____.
CHAIRMAN-WEBER COUNTY PLANNING COMMISSION _____

WEBER COUNTY COMMISSION ACCEPTANCE
THIS IS TO CERTIFY THAT THIS SUBDIVISION PLAT, THE DEDICATION OF STREETS AND OTHER PUBLIC WAYS AND FINANCIAL GUARANTEE OF PUBLIC IMPROVEMENTS ASSOCIATED WITH THIS SUBDIVISION THEREON ARE HEREBY APPROVED AND ACCEPTED BY THE COMMISSIONERS OF WEBER COUNTY, UTAH
THIS _____ DAY OF _____, 20____.
CHAIRMAN, WEBER COUNTY COMMISSION _____