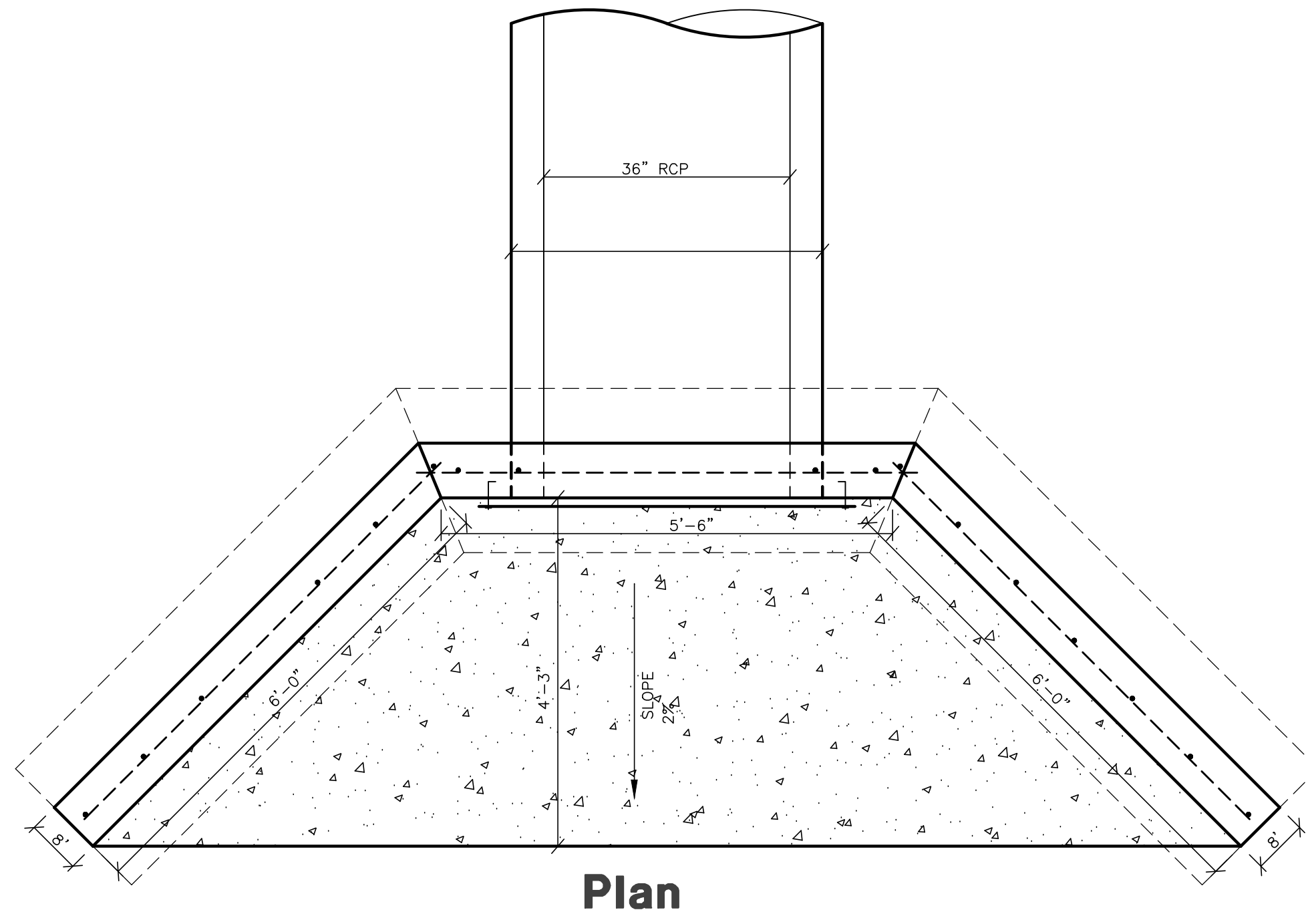
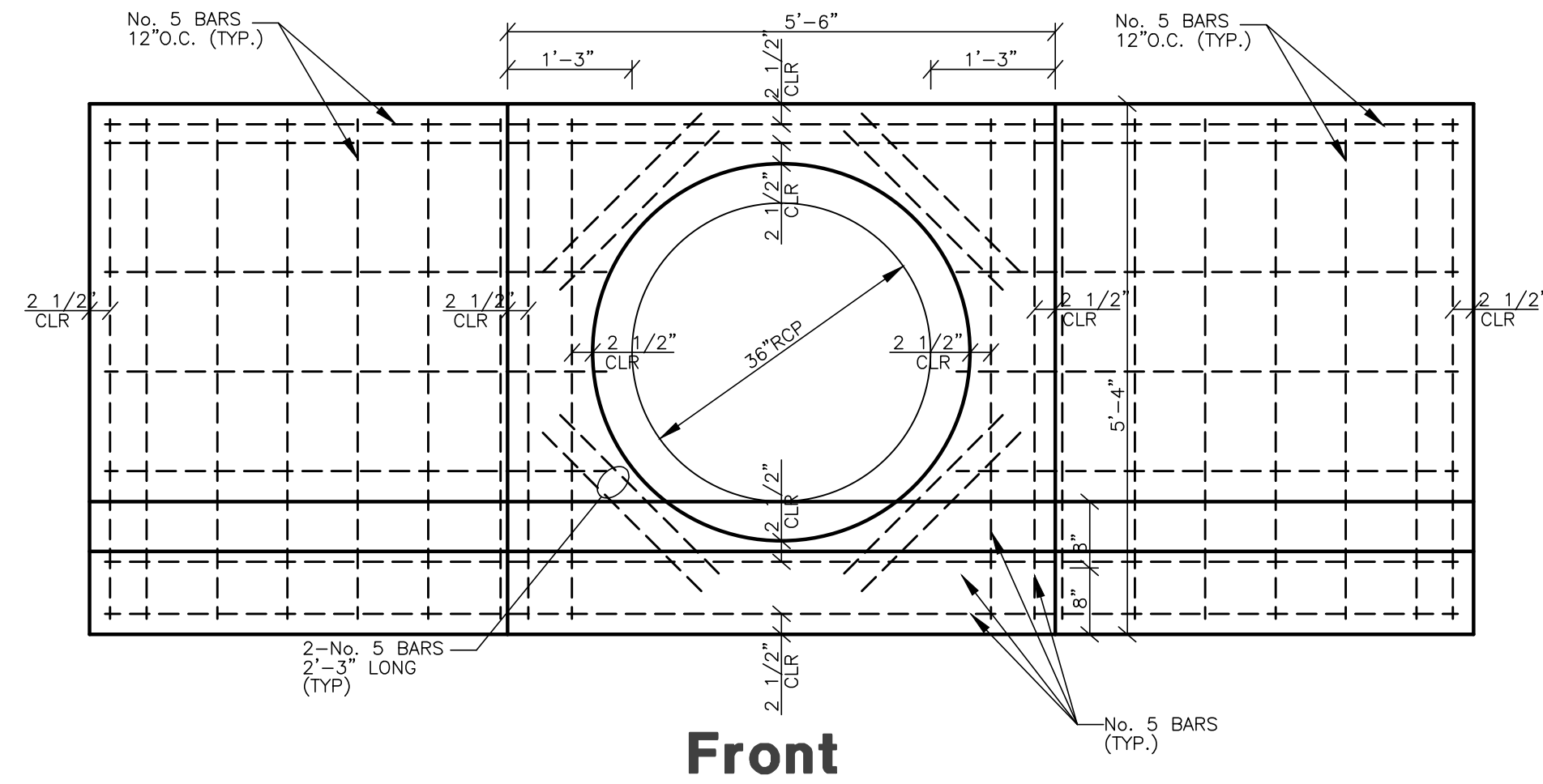


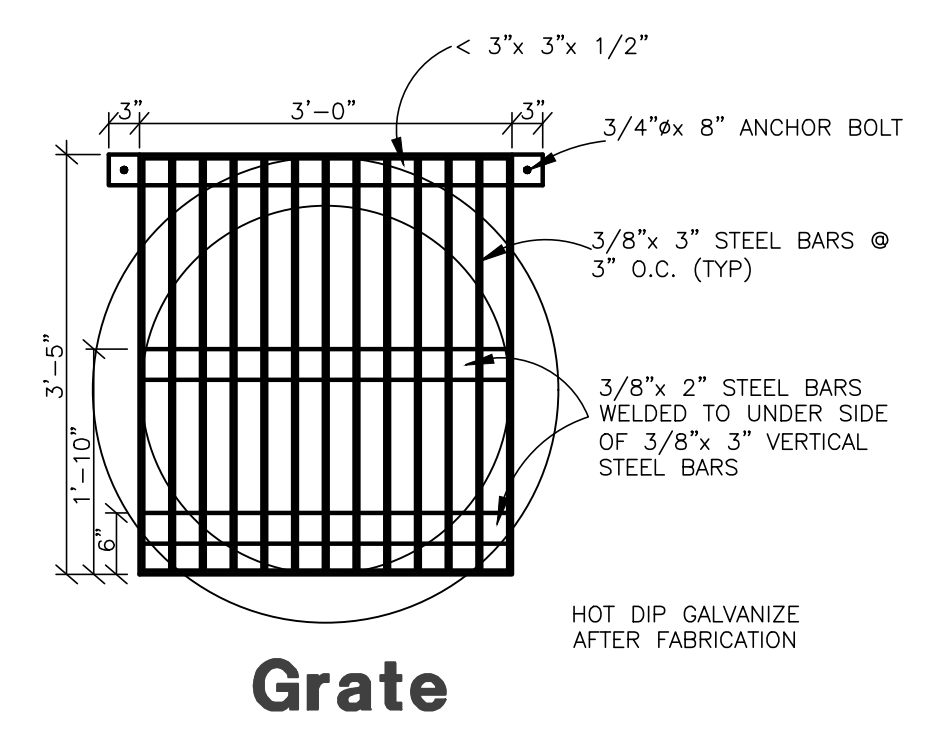
Section A-A



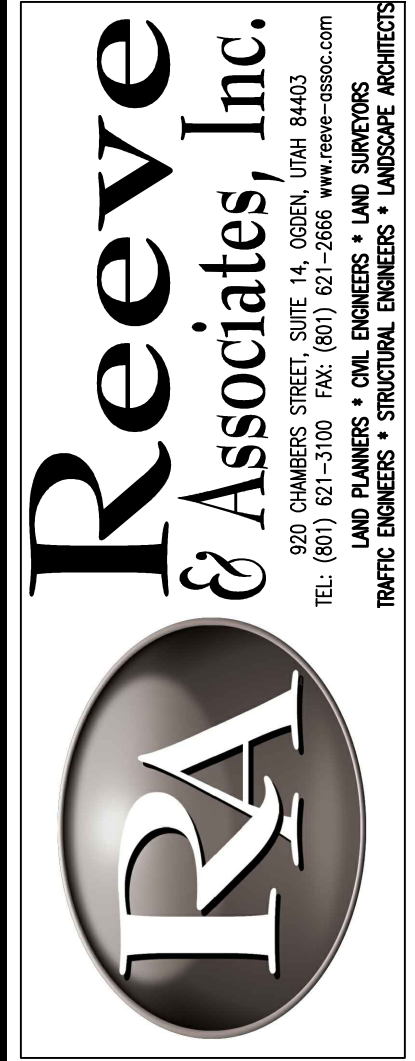
Plan



Irrigation Inlet Detail
SCALE: NONE



Grate



Reeve & Associates, Inc.
920 CHAMBERS STREET, SUITE 14, OGDEN, UTAH 84403
TEL: (801) 621-2100 FAX: (801) 621-2666 www.reeve-assoc.com
LAND PLANNERS • CIVIL ENGINEERS • LAND SURVEYORS
TRAFFIC ENGINEERS • STRUCTURAL ENGINEERS • LANDSCAPE ARCHITECTS

DATE	DESCRIPTION
6-23-15	RH County Comments
7-22-15	RH County Comments
9-17-15	RH County Comments
11-12-15	RH County Comments
11-25-15	RH County Comments
12-12-16	RH Hooper Irr. Comm.
1-17-17	RH New Owner

Cameron Crossing Subdivision
WEBER COUNTY, UTAH
Irrigation Pipe Headwall Detail



Project Info.
Engineer: J. NATE REEVE, P.E.
Drafted: R. HANSEN
Begin Date: JUNE 10, 2014
Name: CAMERON CROSSING SUBDIVISION
Number: 3442-A47

Sheet **10** of **12** Sheets

Blue Stakes Location Center
Call: Toll Free 1-800-662-4111
Two Working Days Before You Dig

Revised: 1-17-17