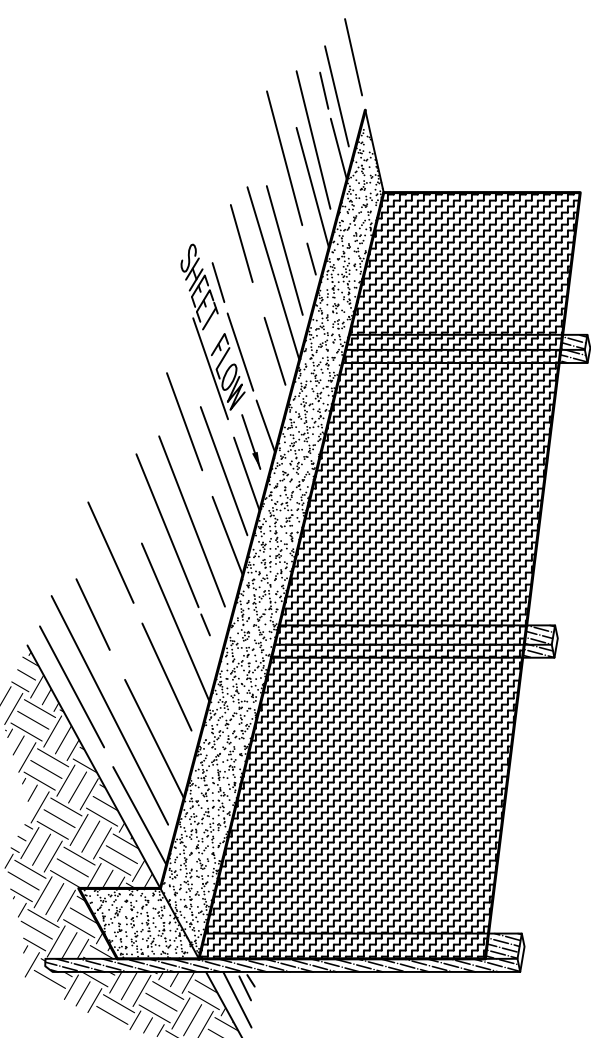
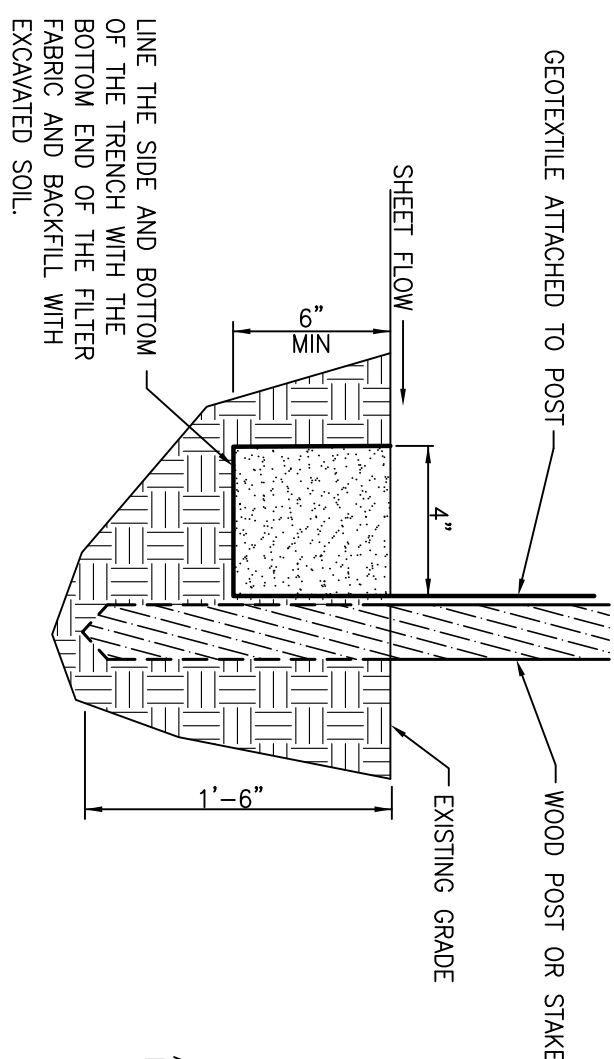


Notes:

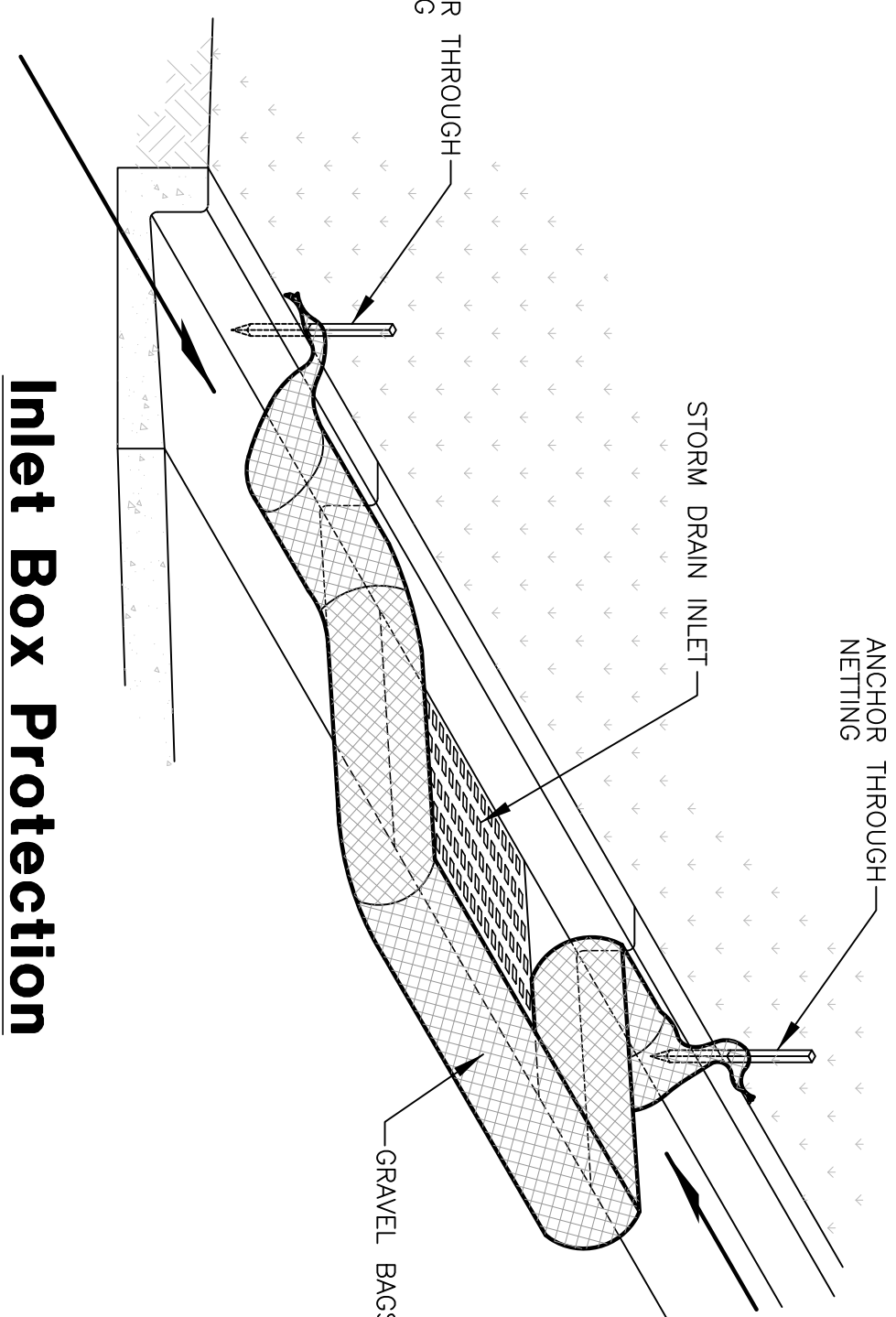
- Describe all BMP's to protect storm water inlets:
All storm water inlets to be protected by straw wattle barriers, or gravel bags (see detail).
- Describe BMP's to eliminate/reduce contamination of storm water from:
a. Equipment / building / concrete wash areas:
To be performed in designated areas only and surrounded with silt fence barriers.
b. Soil contaminated by soil amendments:
If any contaminants are found or generated, contact environmental engineer and contacts listed.
c. Areas of contaminated soil:
If any contaminants are found or generated, contact environmental engineer and contacts listed.
d. Fueling area:
To be performed in designated areas only and surrounded with silt fence.
e. Vehicle maintenance areas:
To be performed in designated areas only and surrounded with silt fence.
f. Vehicle parking areas:
To be performed in designated areas only and surrounded with silt fence.
g. Equipment storage areas:
To be performed in designated areas only and surrounded with silt fence.
h. Materials storage areas:
To be performed in designated areas only and surrounded with silt fence.
i. Waste containment areas:
To be performed in designated areas only and surrounded with silt fence.
j. Storage areas:
To be performed in designated areas only and surrounded with silt fence.
- BMP's for wind erosion:
Stockpiles and site as needed to be watered regularly to eliminate / control wind erosion
- Construction Vehicles and Equipment:
a. Maintenance
— Maintain all construction equipment to prevent oil or other fluid leaks.
— Keep vehicles and equipment clean, prevent excessive build-up of oil and grease.
— Regularly inspect on-site vehicles and equipment for leaks, and repair immediately.
b. Check incoming vehicles and equipment (including delivery trucks, and employee and subcontractor vehicles) for oil leaks, fuel leaks, oil, hydraulic fluids, and other fluids.
— Sweep and recycle wastes, such as greases, used oil or oil filters, antifreeze, cleaning solutions, automotive batteries, hydraulic, and transmission fluids.
c. Washing
— Use as little water as possible to avoid installing erosion and sediment controls for the wash area.
— If washing must occur on-site, use designated, bermed wash areas to prevent waste water discharge into storm water, creeks, rivers, and other water bodies.
— Use phosphate-free, biodegradable soaps.
— Do not permit steam cleaning on-site.
- Spill Prevention and Control
a. Minor Spills: one those which are likely to be controlled by on-site personnel. After contacting local emergency response agencies, the following actions should occur upon discovery of a minor spill:
— Contain the spread of the spill.
— If the spill occurs on paved or impermeable surfaces, clean up using "dry" methods (i.e. absorbent materials, cat litter, and / or rags).
— If the spill occurs in dirt areas, immediately contain the spill by constructing an earth dike. Dig up property dispose of contaminated soil.
— Record all steps taken to report and contain spill.
b. Major Spills: personnel should not attempt to control major spills until the appropriate and qualified emergency response staff have arrived at the site. For spills of federal reportable quantities also notify the National Response Center at (800) 424-8802. A written report should be sent to all notified authorities. Failure to report major spills can result in significant fines and penalties.
- Post Roadway / Utility Construction
a. Maintain good housekeeping practices.
b. Enclose or cover building material storage areas.
c. Properly store materials such as paints and solvents.
d. Store dry and wet materials under cover, away from drainage areas.
e. Avoid mixing excess amounts of fresh concrete or cement on-site.
f. Perform wash out concrete tanks into storm drain open ditches, streets or streams.
g. Do not place material or debris into streams, gutters or catch basins that stop or reduce the flow of runoff water.
h. All public streets and storm drain facilities shall be maintained free of building materials, mud and debris caused by grading or construction operations. Roads will be swept within 1000' of construction entrance daily, if necessary.
i. Install straw wattle around all inlets contained within the development and all others that receive runoff from the development.
j. Erosion Control Plan Notes
a. A stand-by crew for emergency work shall be available at all times during potential rain or snow runoff events. Necessary materials shall be available on site and stockpiled at convenient locations to facilitate rapid construction of emergency devices when rain or runoff is eminent.
b. Erosion control devices shown on the plans and approved for the project may not be removed without approval of the engineer of record. If devices are removed, no work may continue that have the potential of erosion without consulting the engineer of record. If deemed necessary erosion control should be reestablished before this work begins.
c. Graded areas adjacent to fill slopes located at the site perimeter must drain away from the top of the slope at the conclusion of each working day. This should be confirmed by survey or other means acceptable to the engineer of record.
d. All silt and debris shall be removed from all devices within 24 hours after each rain or runoff event.
e. Except as otherwise approved by the inspector, all removable protective devices shown shall be in place at the end of each working day and through weekends until removal of the system is approved.
f. All loose soil and debris, which may create a potential hazard to offsite property, shall be removed from the site as directed by the Engineer of record of the governing agency.
g. The placement of additional devices to reduce erosion damage within the site is left to the discretion of the Engineer of record.
h. Desilting basins may not be removed or made inoperable without the approval of the engineer of record and the Engineer of record.
i. Erosion control devices will be modified as need as the project progresses, and plans of these changes submitted for approval by the engineer of record and the governing agency.
- Conduct a minimum of one inspection of the erosion and sediment controls every two weeks. Maintain documentation on site.
a. Part III.D.4 of general permit UIR300000 identifies the minimum inspection requirements.
b. Part III.D.4.C identifies the minimum inspection report requirements.
c. Failure to complete and/or document storm water inspections is a violation of part III.D.4 of Utah General Permit UIR 300000.



Perspective View



Section



Inlet Box Protection

INSTALLATION
The silt fence should be installed prior to major site construction. The top edge of the geotextile should be placed across the slope along a line of uniform elevation wherever flow of sediment is anticipated. Table 1 shows generally recommended maximum slope lengths (slope spacing between fences) at various site grades for most silt fence applications.

TABLE 1: Recommended Maximum Slope Lengths for Silt Fence (Richardson & Middlebrooks, 1991)	
Slope Steepness (%)	Max. Slope Length (m (ft))
<2%	30.5m (100ft)
2-5%	22.9m (75ft)
5-10%	15.2m (50ft)
10-20%	7.6m (25ft)
>20%	4.5m (15ft)

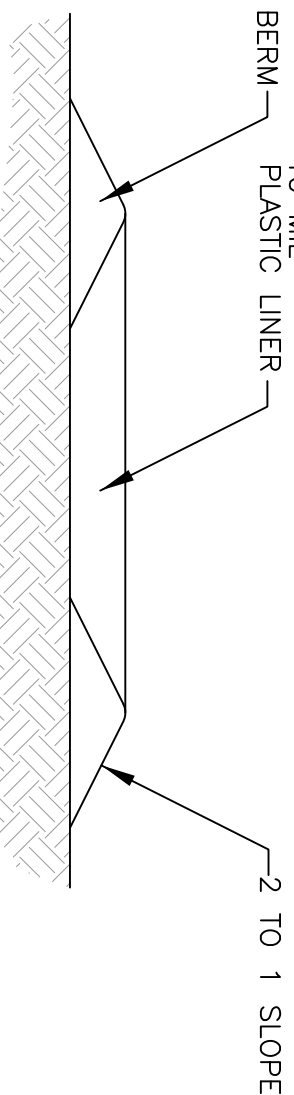
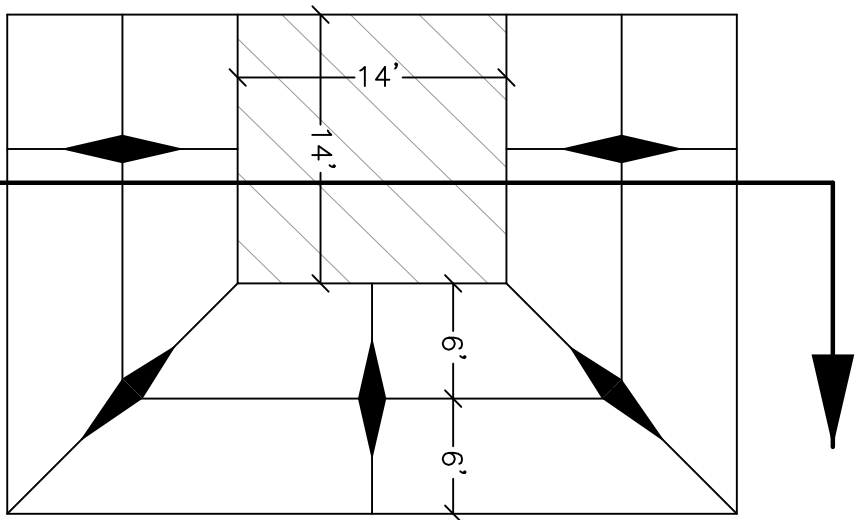
PREFABRICATED SILT FENCE ROLLS

Require a minimum 15.2cm x 15.2cm (6" x 6") roll of geotextile. The roll should be positioned against the downstream wall of the trench. The downstream wall of the trench should be nesting the end post of one fence into the other. Before nesting the geotextile is rolled completely around the post, then the roll is unrolled to create a 19cm (8") seal as shown in Figure 1. To create a 19cm (8") seal, drive posts into the ground until the required fence height and/or anchorage depth is obtained.
Bury the loose geotextile at the bottom of the trench in the upstream trench and backfill provide good compaction and anchorage. Figure 2 illustrates a typical silt fence installation and anchor trench placement.

FIELD ASSEMBLY:
Require a minimum 15.2cm x 15.2cm (6" x 6") roll of geotextile. The roll should be positioned against the downstream wall of the trench. Maximum post spacing should be 2.4-3.0m (8-10ft). Post spacing

Silt Fence Detail

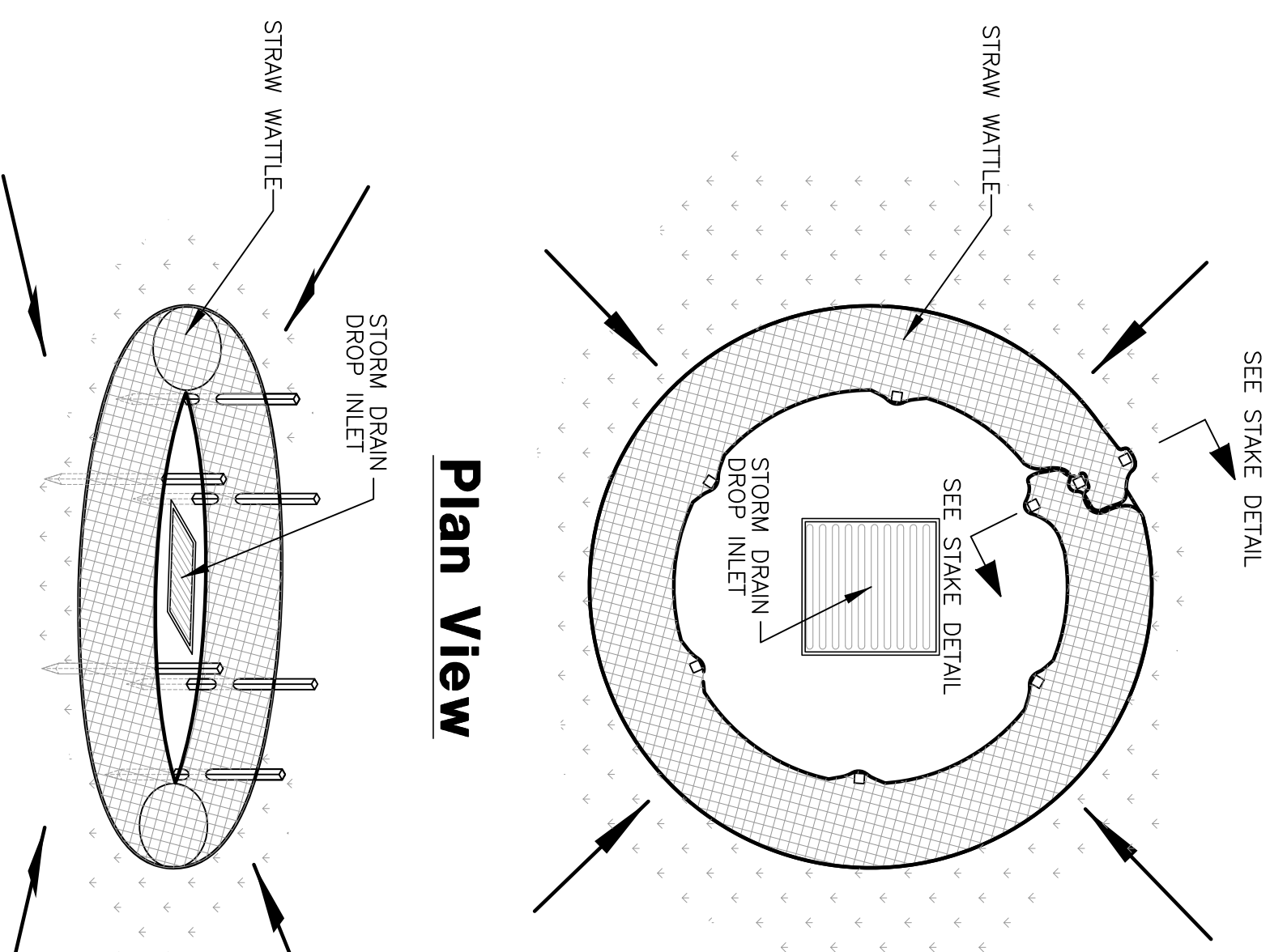
SCALE: NONE



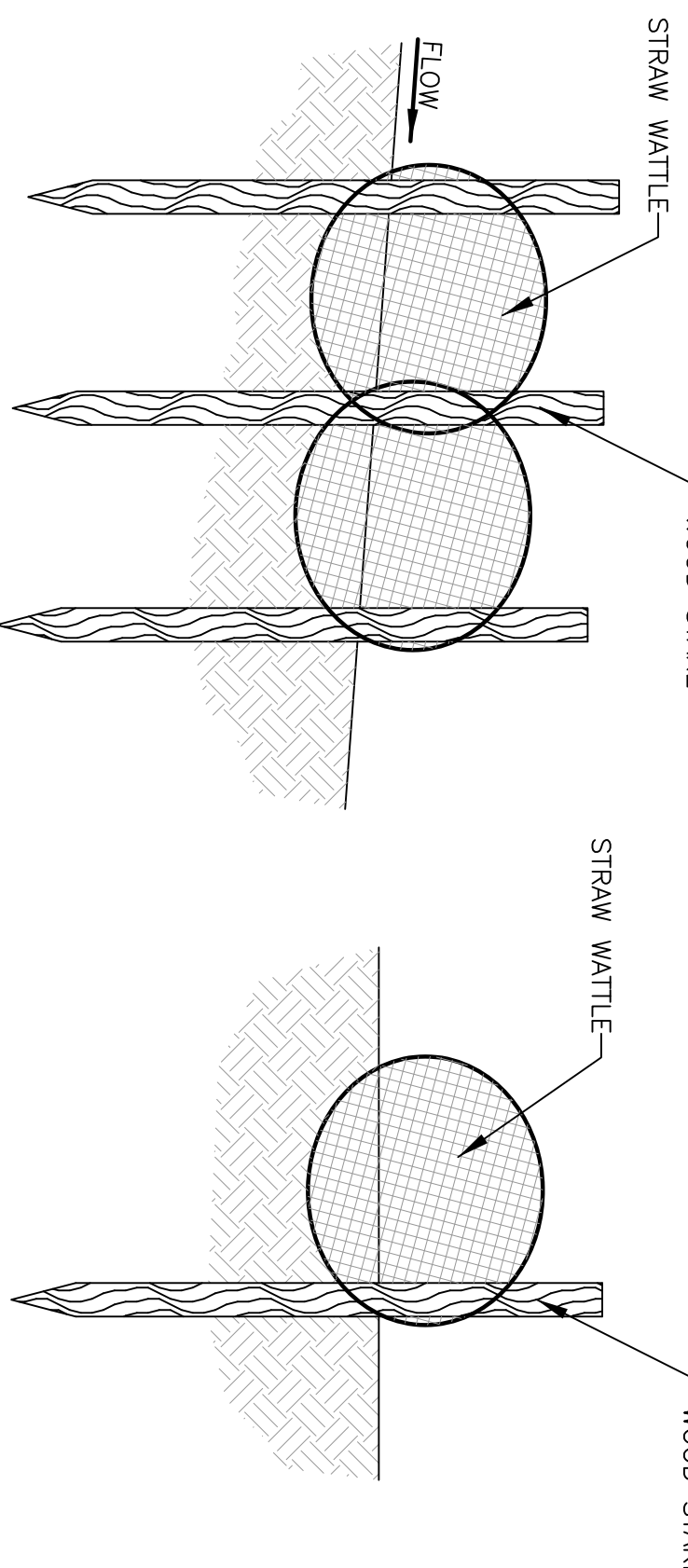
Concrete Washout Area w/ 10 mil Plastic Liner

SCALE: NONE

Plan View



Drop Inlet Protection



Stake Detail

THESE PLANS AND SPECIFICATIONS ARE THE PROPERTY OF REEVE & ASSOCIATES, INC., 920 CHAMBERS STREET #14, OGDEN, UTAH 84403, AND SHALL NOT BE PHOTOCOPIED, RE-DRAWN, OR USED ON ANY PROJECT OTHER THAN THE PROJECT SPECIFICALLY DESIGNED FOR, WITHOUT THEIR WRITTEN PERMISSION. THE OWNERS AND ENGINEERS OF REEVE & ASSOCIATES, INC. DISCLAIM ANY LIABILITY FOR ANY CHANGES OR MODIFICATIONS MADE TO THESE PLANS OR THE DESIGN THEREON WITHOUT THEIR CONSENT.

Revised: 2-11-15

Blue Acres Subdivision Phase-4
WEBER COUNTY, UTAH

Storm Water Pollution Prevention Plan Details

REVISIONS	
DATE	DESCRIPTION
9-3-14 RH	Client Changes
1-12-15 RH	County Comments
1-20-15 RH	County Comments
2-11-15 RH	Client Changes

Reeve & Associates, Inc.
920 CHAMBERS STREET, SUITE 14, OGDEN, UTAH 84403
TEL: (801) 621-3100 FAX: (801) 621-2668 www.reeve-assoc.com
TRAFFIC ENGINEERS • STRUCTURAL ENGINEERS • LANDSCAPE ARCHITECTS

REGISTERED PROFESSIONAL ENGINEER
I. NATE REEVE, P.E.
37328
SEAL NO. 5036-01

Project Info.
Engineer: I. NATE REEVE, P.E.
Drafted: R. HANSEN
Begin Date: JUNE 10, 2014
Name: BLUE ACRES SUBDIVISION
SUBDIVISION PHASE-4
Number: 5036-01

Sheet **8** of 8 Sheets