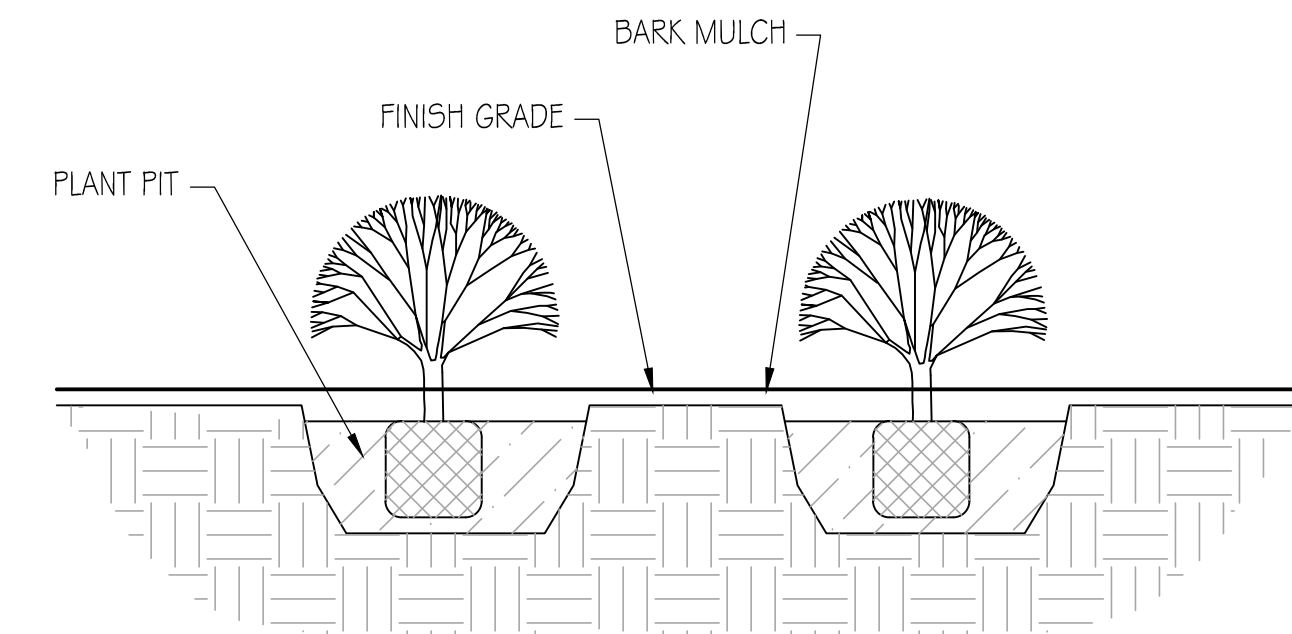


PLANTING LEGEND			
MARK	COMMON NAME	BOTANICAL NAME	SIZE & SPACING
<b>TREES</b>			
T-1	WHITE FIR	ABIES CONCOLOR	6' TALL
T-2	ROCKY MOUNTAIN MAPLE	ACER GLABRUM	2" CAL.
T-3	BIG TOOTH MAPLE	ACER GRANDIDENTATUM	2" CAL.
T-4	DOUGLAS HAWTHORN	CRATAEGUS DOUGLASHI	2" CAL.
T-5	COLORADO SPRUCE	PICEA PUNGENS	6' TALL
T-6	LOGSPOLE PINE	PINUS CONTORTA MURRAYANA	6' TALL
T-7	LIMBER PINE	PINUS FLEXILIS	6' TALL
T-8	QUAKING ASPEN	POPULUS TREMULOIDES	2" CAL.
T-9	CHOKECHERRY	PRUNUS VIRGINIANA DEMISSA	2" CAL.
T-10	DOUGLAS FIR	PSUDOTSUGA MENZIESII	6' TALL
T-11	GAMBELS OAK	QUERCUS GAMBELLII	2" CAL.
<b>SHRUBS</b>			
S-1	BIG SAGEBRUSH	ARTEMISIA TRIDENTATA	5 GAL. @ 4' O.C.
S-2	CURL-LEAF MOUNTAIN MAHOGANY	CERCOCARPUS LEDIFOLIUS	5 GAL. @ 4' O.C.
S-3	MOUNTAIN MAHOGANY	CERCOCARPUS MONTANUS	5 GAL. @ 3' O.C.
S-4	RABBITBRUSH	CHRYSOETHAMNUS NAUSEOSUS	5 GAL. @ 4' O.C.
S-5	REDTNG DOGWOOD	CORNUS STOLONIFERA	5 GAL. @ 6' O.C.
S-6	SILVERBERRY	ELAEAGNUS COMMUTATA	5 GAL. @ 5' O.C.
S-7	WILD MOCK ORANGE	PHILADELPHUS LEWISII	5 GAL. @ 6' O.C.
S-8	GOLDEN CURRANT	RIBES AUREUM	5 GAL. @ 4' O.C.
S-9	COMMON SNOWBERRY	SYMPHOROCARPUS ALBUS	5 GAL. @ 5' O.C.
<b>GROUND COVER</b>			
GC-1	CEDAR BARK CHIPS		
<b>ROCKS</b>			
CR-1	CRUSHED STONE		
<b>SOD</b>			
SD-1	HYDROSEEDED WILDFLOWER MIX		
SD-2	HYDROSEEDED NATIVE GRASS MIX		
<b>PERENNIALS</b>			
P-1	WOOLLY YARROW	ACHILLEA TOMENTOSA	2 GAL. @ 12" O.C.
P-2	ROCKY MOUNTAIN COLUMBINE	AQUILEGIA CAERULEA	2 GAL. @ 18" O.C.
P-3	SUNDRUPS	CALYLOPHUS HARTWEGII	2 GAL. @ 18" O.C.
P-4	BLUEBELL OF SCOTLAND	CAMPANULA ROTUNDIFOLIA	2 GAL. @ 8" O.C.
P-5	CREeping MAHONIA	MAHONIA REPENS	2 GAL. @ 3' O.C.
P-6	BEE BALM	MONARDA FISTULOSA	2 GAL. @ 12" O.C.
P-7	SCARLET BUGLER	PENSTEMON BARBATUS	2 GAL. @ 12" O.C.
P-8	ROCKY MOUNTAIN PENSTEMON	PENSTEMON STRICTUS	2 GAL. @ 18" O.C.
P-9	ROCKY MOUNTAIN ZINNIA	ZINNIA GRANDIFLORA	2 GAL. @ 8" O.C.
<b>ORNAMENTAL GRASSES</b>			
O-1	ELIJAH BLUE FESCUE	FESTUCA GLAUCA	2 GAL. @ 10" O.C.
O-2	INDIAN RICE GRASS	ACHNATHERUM HYMENOIDES	2 GAL. @ 18" O.C.
O-3	BIG BLUESTEM	ANDROPOGON GERARDII	2 GAL. @ 30" O.C.
O-4	ALKALI DROPSIED	SPOROBOLUS AIROIDES	2 GAL. @ 24" O.C.

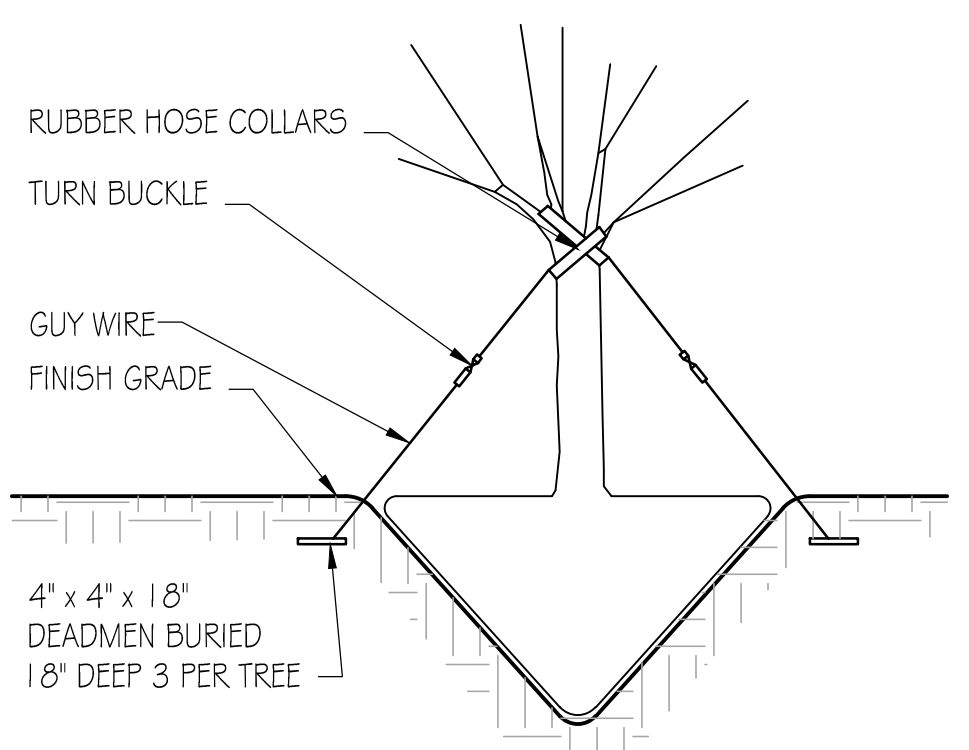


**3 TREE PLANTING IN LAWN AREA**  
SCALE: N.T.S.

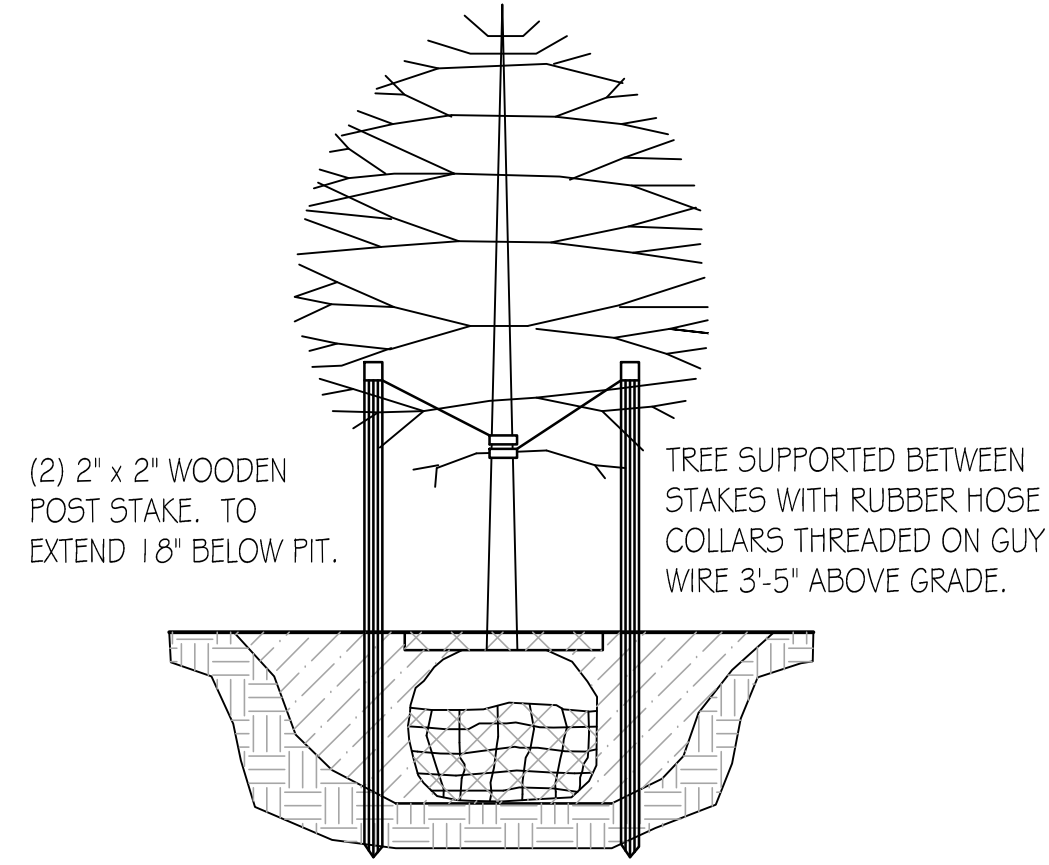
SOAK TOPSOIL AND ALLOW TO PERCOLATE PRIOR TO PLANTING. SET PLANT AT SAME RELATIONSHIP TO FINISH GRADE AS IN CONTAINER.



**2 SHRUB PLANTING**  
SCALE: N.T.S.



**1 RELOCATED TREE GUYING**  
SCALE: N.T.S.



**STAKING TREES:**

- STAKING IS NOT GENERALLY REQUIRED FOR ALL TREE PLANTING. IF CONDITIONS ARE PRESENT WHERE THE CONTRACTOR DEEMS IT NECESSARY TO STAKE TREES TO ENSURE VIABILITY THROUGH THE GUARANTEE PERIOD, THE CONTRACTOR MAY STAKE THE TREES AT NO ADDITIONAL COST TO THE OWNER.
- ANY STAKING WILL BE IN ACCORDANCE WITH CURRENT HORTICULTURE PRACTICE. STAKING OF TREES WILL BE WITH WOODEN STAKES PLACED OUTSIDE THE ROOT BALL.

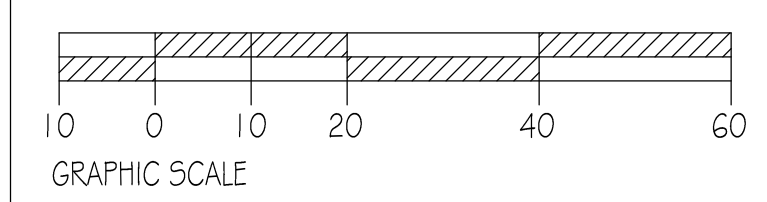
**4 TREE STAKING**  
SCALE: N.T.S.

**PLANTING KEYNOTES:**

- EXISTING TREES
- ROCK RETAINING WALL

**PLANTING NOTES:**

- EXAMINE SITE TO VERIFY EXISTING CONDITIONS. NOTIFY ARCHITECT OF INCONSISTENCIES.
- COORDINATE PLANTING OPERATION WITH OTHER TRADES TO AVOID CONFLICT.
- COORDINATE PLACEMENT OF TREES WITH PLACEMENT OF IRRIGATION LINES, VALVES, SPRINKLER HEADS, ETC.
- MAKE FINAL GRADE ELEVATIONS WITH TOPSOIL. CONSTRUCT BERMS, AND GRADE TO CONTOURS. MINIMUM TOPSOIL DEPTHS:  
TURF AREAS: 4"  
SHRUBS AREAS: 6"
- ALLOW FOR 3" DEPTH OF BARK CHIPS IN SHRUB AREAS, 2" DEPTH @ TURF AREAS.
- PROVIDE 3" DEPTH BARK MULCH IN PLANTING AREAS AND AT TREE WELLS.
- PROTECT TREES SPECIFIED TO REMAIN.



**VANZEBEN ARCHITECTURE**  
801-627-2400  
1037 Lincoln Ave  
Salt Lake City, UT 84141

PROJECT NO: 14014  
DRAWN BY: MJV  
CHECKED BY: ---

REVISIONS:

OWNER: PINE CANYON LODGE, INC.  
PROJECT: PINE CANYON CONDOMINIUM  
LOCATION: 2803 NORDIC VALLEY WAY, EDEN, UTAH 84310  
© vanZeben Architecture. This drawing shall not be reproduced without consent of vanZeben Architecture, nor shall it be used for any project other than the originally intended project.

**PLANTING PLAN**

SHEET NUMBER:  
**L102**

DATE: 10/12/14