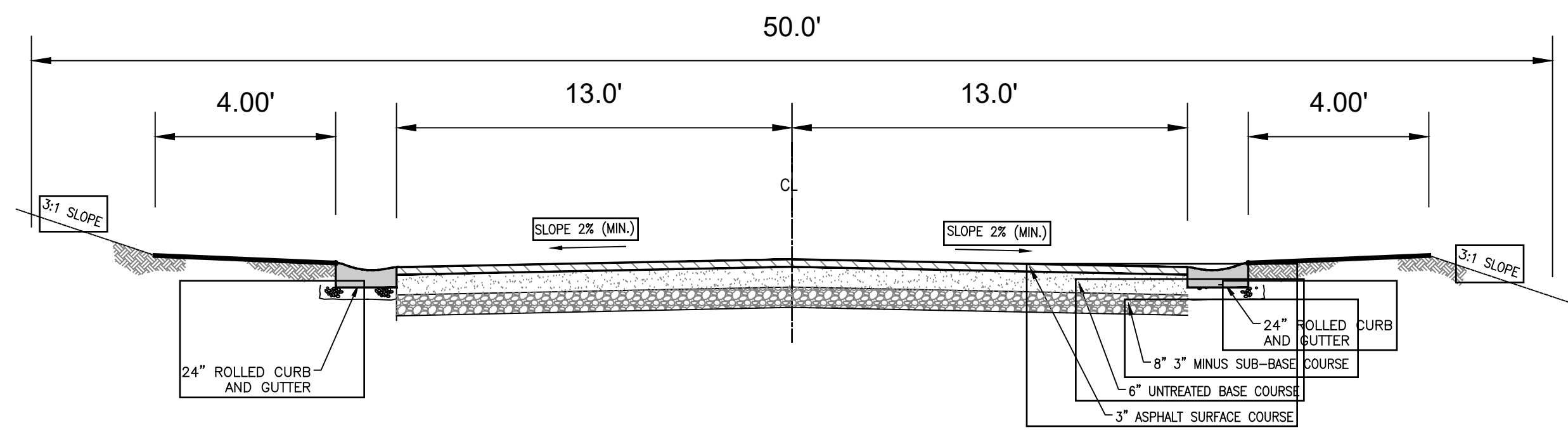
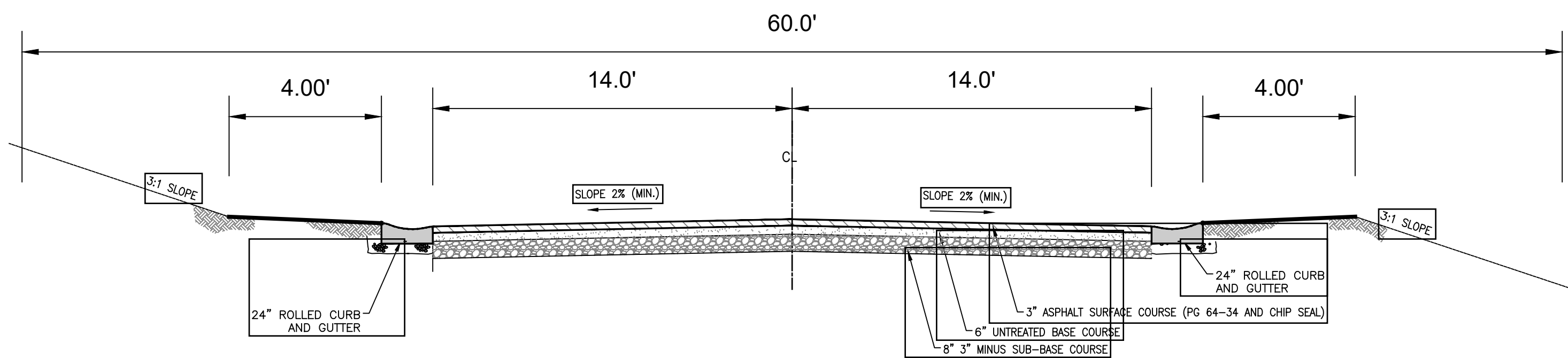


EXHIBIT D

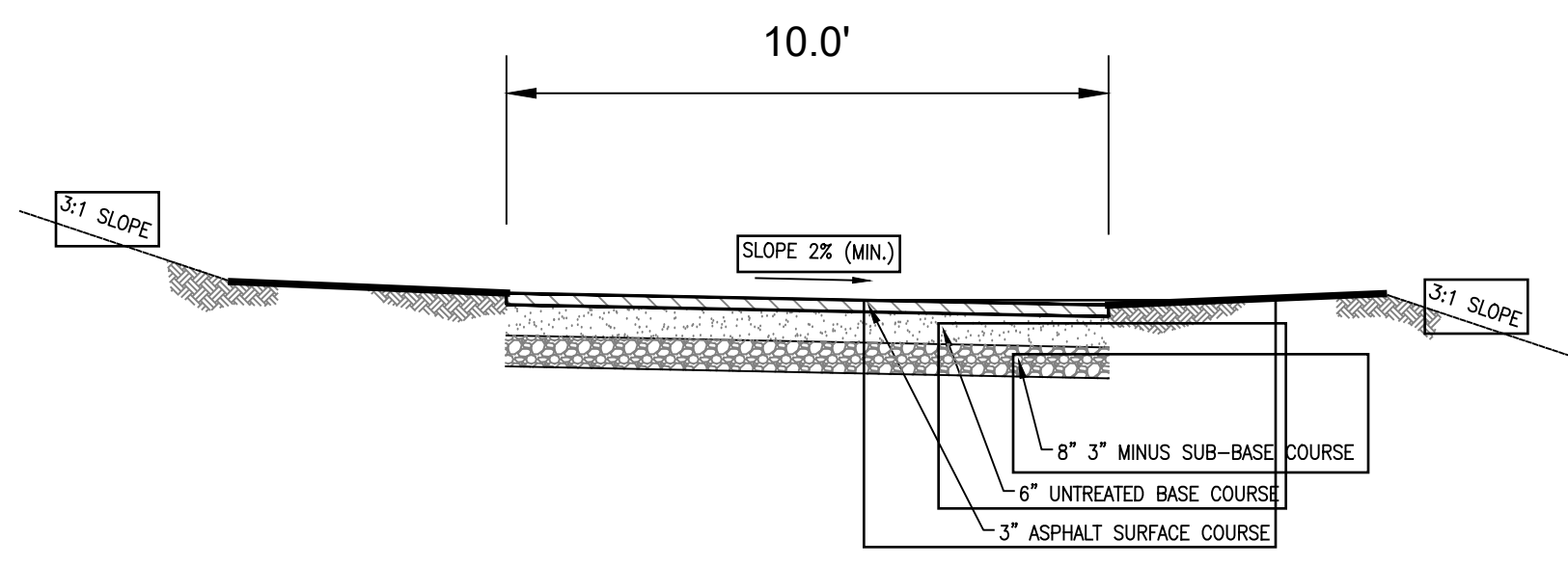


50' ROW - TYPICAL ROADWAY
NOT TO SCALE

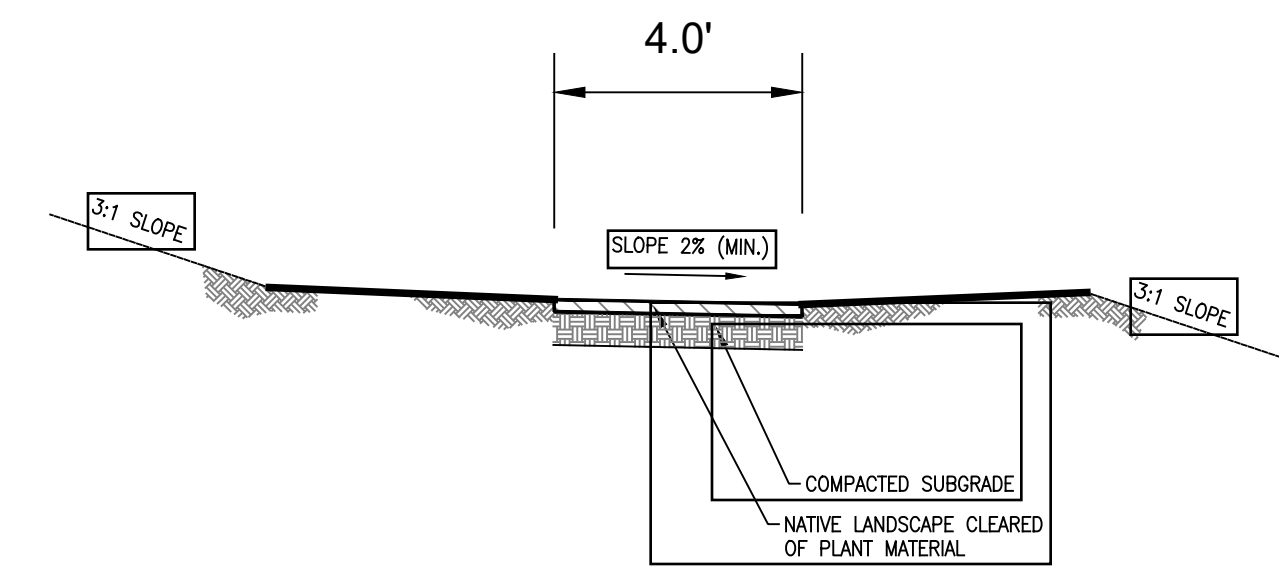


60' ROW - TYPICAL ROADWAY
NOT TO SCALE

ROAD PROFILES
NOT TO SCALE



10' ASPHALT PATH
NOT TO SCALE



4' NATURAL PATH
NOT TO SCALE

TRAIL PROFILES
NOT TO SCALE

THE BRIDGES
WOLF CREEK RESORT
MASTER DEVELOPMENT AGREEMENT (MDA)
WEBER COUNTY UTAH

DATE:	OCTOBER 2024
PROJECT:	000.0000.37
DRAWN BY:	TK
REVIEW BY:	TK
VERSION:	
REVISIONS:	

SHEET TITLE:
ROAD / TRAIL PROFILES

SHEET NUMBER:
S1.1